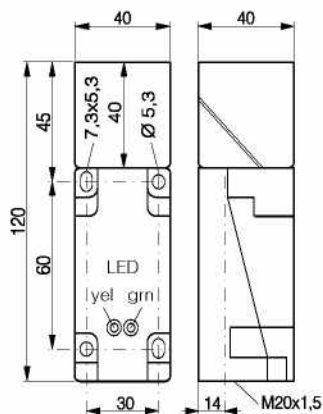


Housing size	□ 40x120	□ 60x80	□ 80x100
Operating distance mm	40	50	65
Housing material	PBTP	PBTP	PBTP
Connection ¹⁾	Screw terminal	Screw terminal	Screw terminal
Degree of protection	IP 65	IP 65	IP 65
Mounting	Non-embeddable	Non-embeddable	Non-embeddable
Max. switching frequency	20 Hz	20 Hz	10 Hz
Technical data ²⁾	Table 3	Table 3	Table 3
Wiring ³⁾	Diagram 2	Diagram 2	Diagram 2
LED	Built-in	Built-in	Built-in
Supply voltage range	10 ... 65 VDC	10 ... 65 VDC	10 ... 65 VDC
Ambient temperature range	-25 ... +85 °C	-25 ... +85 °C	-25 ... +85 °C
Output current	≤ 300 mA	≤ 300 mA	≤ 300 mA

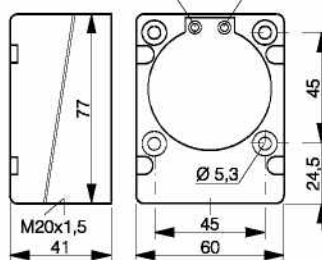
- ¹⁾ Standard cable length 2 m.
Non-standard cable lengths and types on request.
- ²⁾ see page 76
- ³⁾ see page 77
- ⁴⁾ see page 146



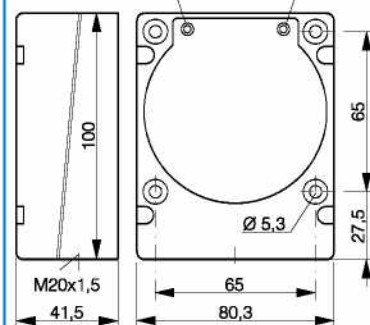
Dimensions:



green LED yellow



green LED yellow



Part references:

(**bold**: preferred types)

Sensing face can be rotated to 5 different sides.

NPN N.O.			
NPN N.C.			
PNP N.O.	DW-AD-613-C40**	DW-AD-613-C60**	DW-AD-613-C80**
PNP N.C.			
DC 2-wire N.O.			
AC/DC 2-wire N.O.			
AC/DC 2-wire N.C.			
Compatible connectors ⁴⁾			

** N.O. / N.C. switchable