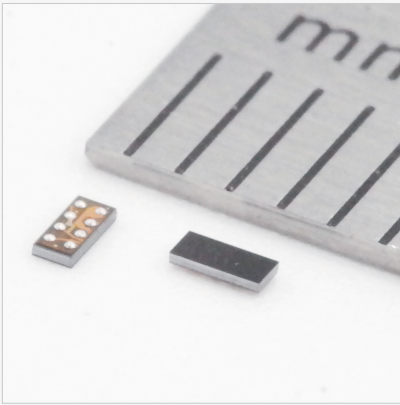


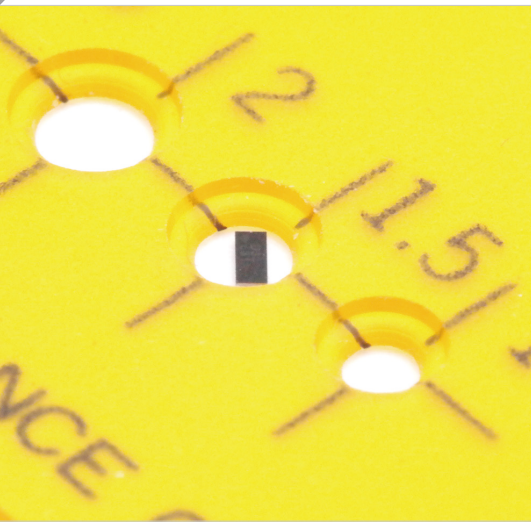
## AF Driver IC with 8Kbyte eFlash

DW9763 is designed for linear control of voice coil motors(VCM). DW9763 is a single 10-bit DAC with 100mA output current sinking capability and has 8Kbyte eFlash memory. This device features Smart Actuator Control (SAC™) mode which can minimize the mechanical vibration and achieve faster mechanical settling time. DW9763 operates from 2.3V to 3.3V supply. The internal DAC and the eFlash are controlled via I<sup>2</sup>C that operates at clock rate up to 1MHz. DW9763 offers Power Down(PD) mode with current consumption less than 1uA. DW9763 can be used for auto focus applications in mobile cameras, digital cameras, web cameras and action cameras.



### Features

- 100mA, 10-bit resolution DAC
- Embedded 8Kbyte eFlash memory
- Smart Actuator Control (SAC™) mode
- Supply voltage range ( $V_{DD}$ ): 2.3V to 3.3V
- I/O voltage range ( $V_{IN}$ ): 1.8V to  $V_{DD}$
- Fast Mode and Fast Mode Plus I<sup>2</sup>C interface compatible
- Power On Reset (POR)
- Power Down(PD) mode less than 1uA



**8 pin WLCSP**

W 0.77 mm  
 H 1.75 mm  
 D 0.30 mm

## Applications

Mobile camera

Digital camera

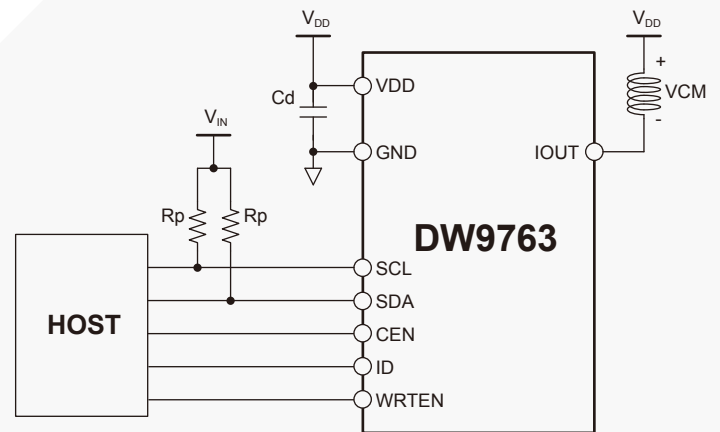
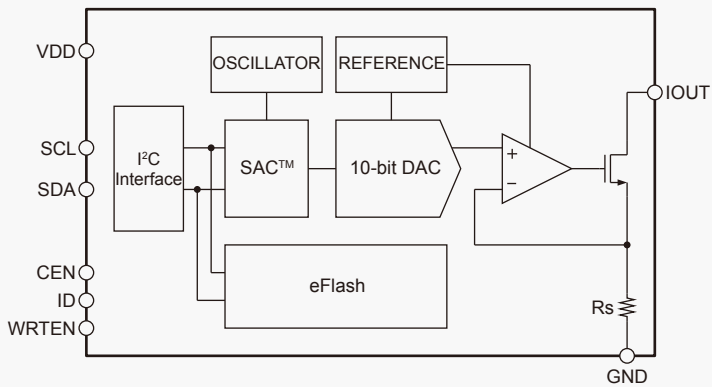
Action camera

Web camera

Drone

AR/VR camera

### Typical Application



### Block Diagram

