



E18-D80NK Adjustable Infra-Red (IR) Proximity Sensor

E18-D80NK Infrared Obstacle Avoidance Sensor is a low-cost IR Proximity Sensor with an adjustable range of 3cm to 80cm. E18-D80 IR Sensor is widely used in robots to avoid obstacles, industrial assembly lines, Reverse Car Parking, and many other automation applications. The detection range can be adjusted according to the application using the multi-turn pot-meter that is located at the back of the sensor.



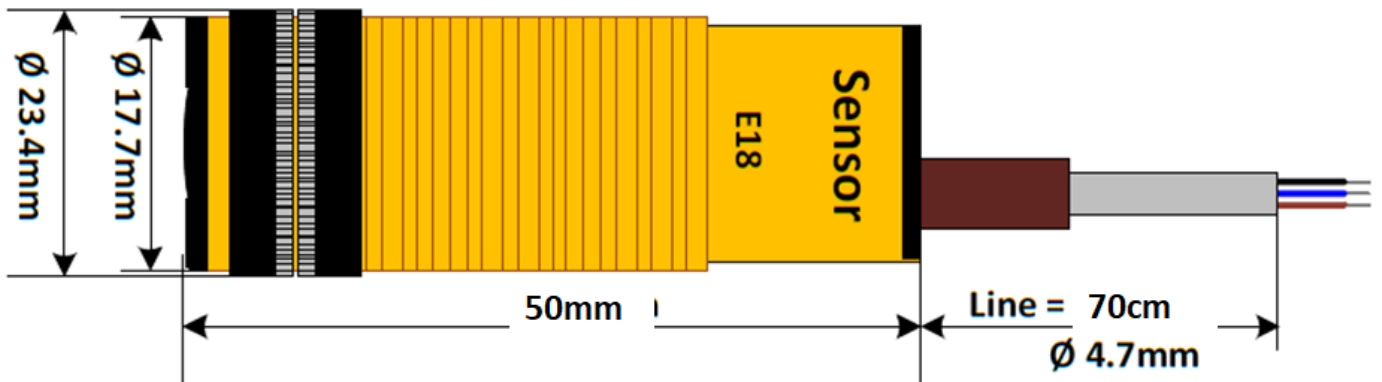
SKU: [SSR1069](#)

Brief Data:

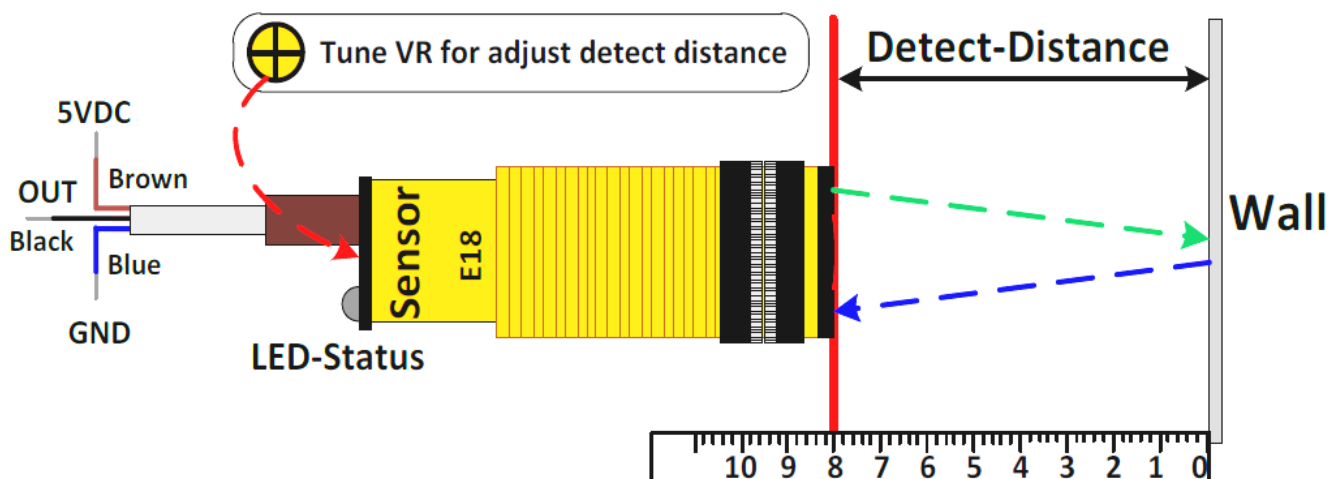
- Operating Voltage: 5Vdc.
- Current consumption: > (25~100)mA.
- Dimension: Ø17mm (diameter) x 45mm (length).
- Cable length: 45cm.
- Detection of objects: Transparent or Opaque.
- Diffuse reflective type.
- Sensing range: 3cm to 80cm (depends on obstacle surface).
- NPN output (normally high).
- Environment temperature: -25 °C ~ 55 °C.
- Weight: 42g.

Mechanical Dimension:

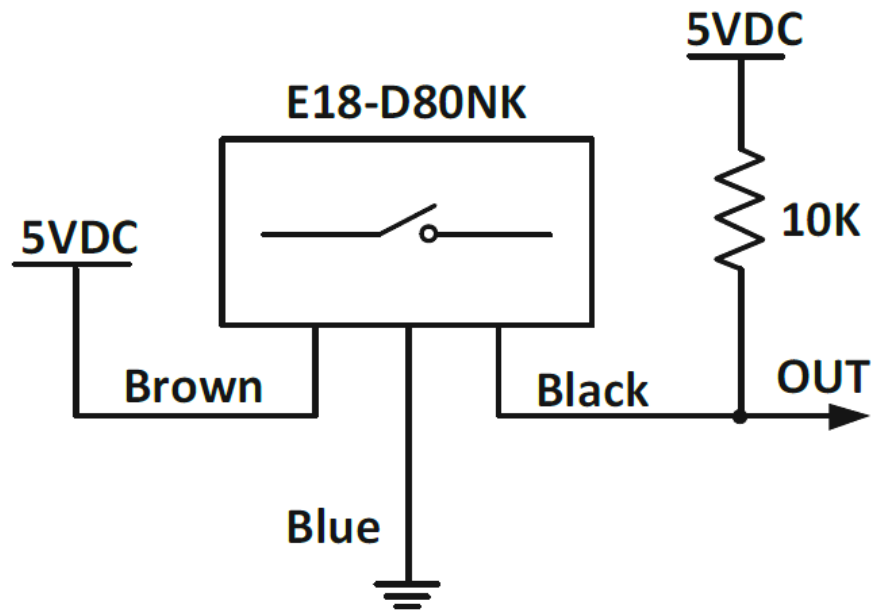
Unit: mm



Pin Functional Diagram:



Schematic Diagram:



Web Resources:

- https://create.arduino.cc/projecthub/ashish_cd/interfacing-e18-d80nk-ir-proximity-sensor-with-arduino-a4bbd0
- <https://robojax.com/learn/arduino/?vid=robojax-E18-D80NK-IR-Switch>



Handsontec.com

We have the parts for your ideas

HandsOn Technology provides a multimedia and interactive platform for everyone interested in electronics. From beginner to diehard, from student to lecturer. Information, education, inspiration and entertainment. Analog and digital, practical and theoretical; software and hardware.



open source
hardware

HandsOn Technology support Open Source Hardware (OSHW) Development Platform.

Learn : Design : Share

www.handsontec.com



The Face behind our product quality...

In a world of constant change and continuous technological development, a new or replacement product is never far away – and they all need to be tested.

Many vendors simply import and sell without checks and this cannot be the ultimate interests of anyone, particularly the customer. Every part sell on Handsontec is fully tested. So when buying from Handsontec products range, you can be confident you're getting outstanding quality and value.

We keep adding the new parts so that you can get rolling on your next project.



www.handsontec.com

[Breakout Boards & Modules](#)



[Connectors](#)



www.handsontec.com

[Electro-Mechanical Parts](#)



www.handsontec.com

[Engineering Material](#)



www.handsontec.com

[Mechanical Hardware](#)



[Electronics Components](#)

P



www.handsontec.com

[Power Supply](#)



[Arduino Board & Shield](#)

[Tools & Accessory](#)



www.handsontec.com

[Tools & Accessory](#)