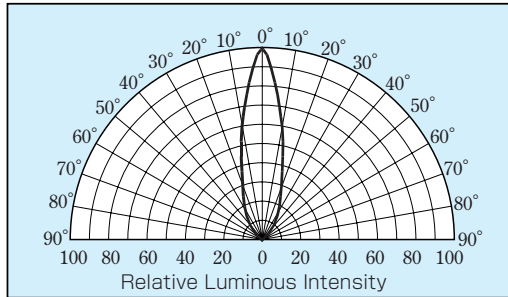




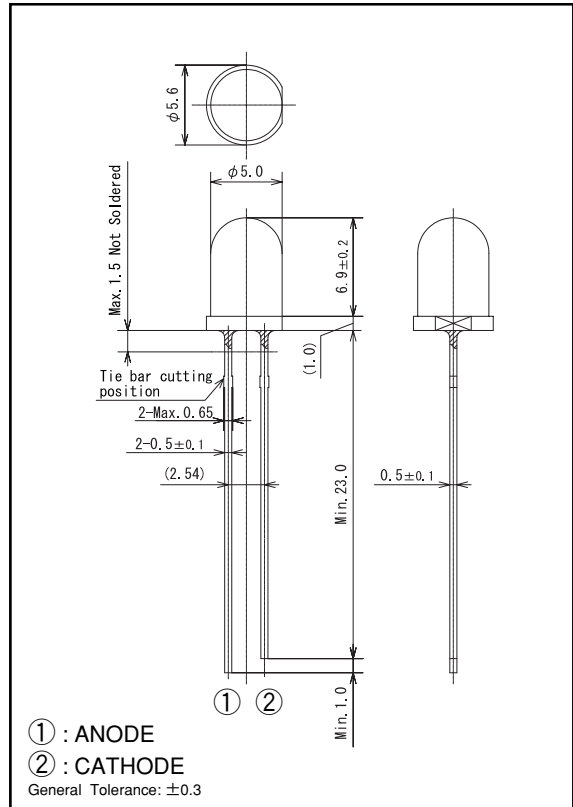
Characters

- $\phi 5$ Round type
- Viewing angle 23° *Reference
- No stand-off type

Directive Characteristics (Ta=25°C)



Package Outlines (Unit:mm)



Round Lamp/ Mono

Absolute Maximum Ratings (Ta=25°C)

Item	Symbol	Value	Unit
Power Dissipation	P_D	120	mW
DC Forward Current	I_F	30	mA
Pulsed Forward Current	I_{FP}	100 \star^1	mA
Reverse Voltage	V_R	5	V
Operating Temperature	T_{opr}	$-30 \sim +80$	$^\circ C$
Storage Temperature	T_{stg}	$-40 \sim +100$	$^\circ C$

\star^1 Duty 1/10 Pulse Width 100 μs .

Electrical and Optical Characteristics (Ta=25°C)

Part No. \star^2	Luminous Intensity (mcd) \star^3			Forward Voltage (V)			Reverse Current (μA)		Wavelength Characteristics (nm)			
	Typ.	Min.	I_F (mA)	Typ.	Max.	I_F (mA)	Max.	V_R (V)	λ_D Min.	λ_D Max.	$\Delta \lambda$ Typ.	I_F (mA)
E1L52-SC1A*-03	2400	1800	10	3.2	3.6	10	2	5	498	503 \star^4	35	10
									503	508 \star^4		
									508	510 \star^4		

\star^2 See table for Luminous Intensity Ranks.

\star^3 Axial Direction (Luminous Intensity)

\star^4 Devices are sorted by above wavelength ranges.

Luminous Intensity Ranks (Ta=25°C)

Luminous Intensity (mcd)	
Rank	
D · M	1800~2000
E · N · W	2000~2400
F · P · X	2400~3000

($I_F=10mA$)

\star Please contact sales person, if you request to designate Luminous Intensity Ranks.

Package

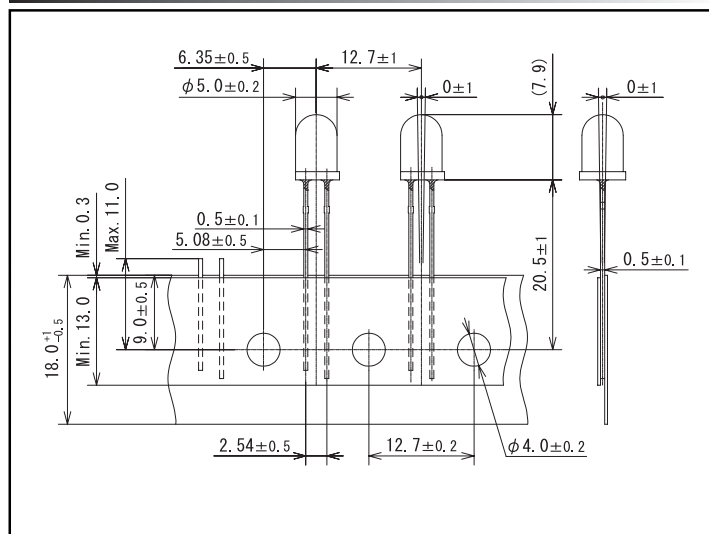
Bulk 200pieces/bag (Code No.2)
Taping 2000pieces/reel (Code No.6)
(example: 200 pieces/bag \rightarrow E1L52-SC1A2-02)

\star Please use the Part Number above for your order.

Precautions in handling

- When soldering, leave 4 mm of minimum clearance between the resin and the soldering point.

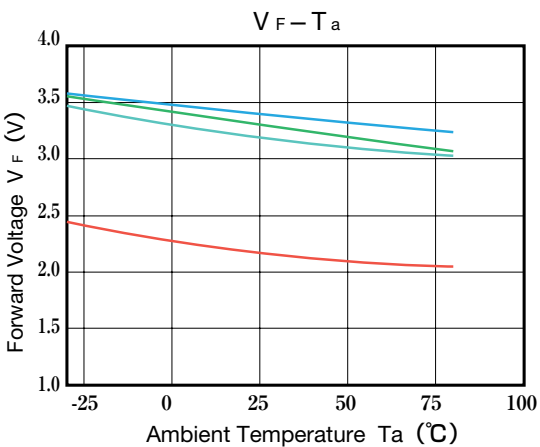
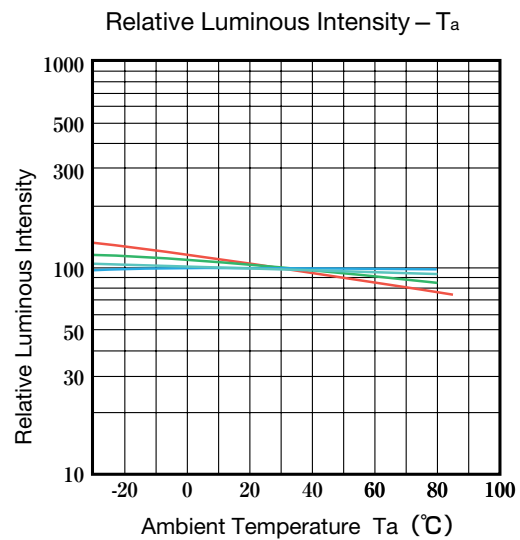
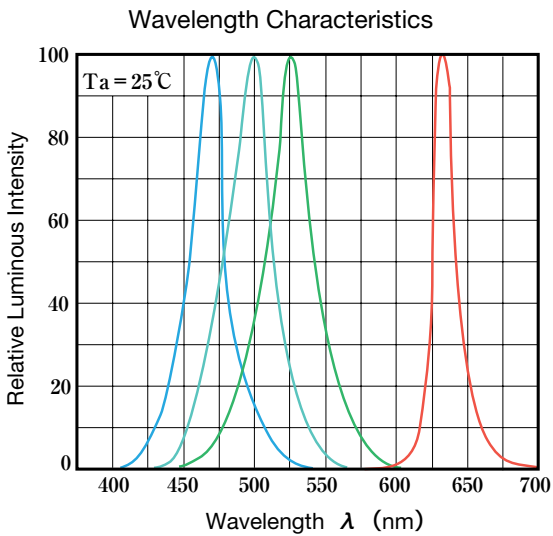
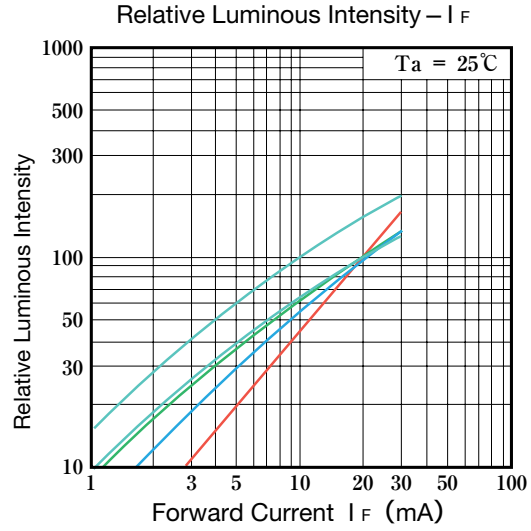
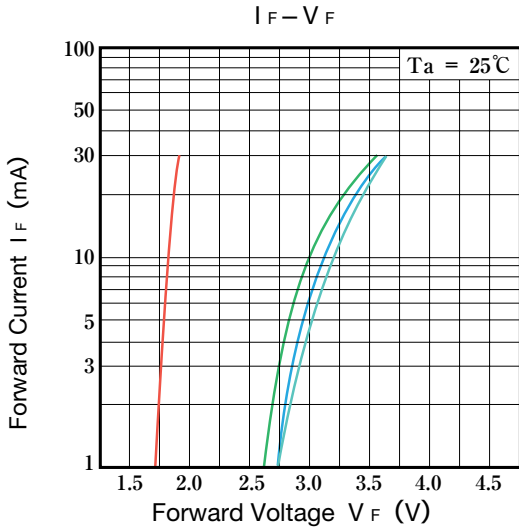
Taping Outline Dimensions (Unit:mm)



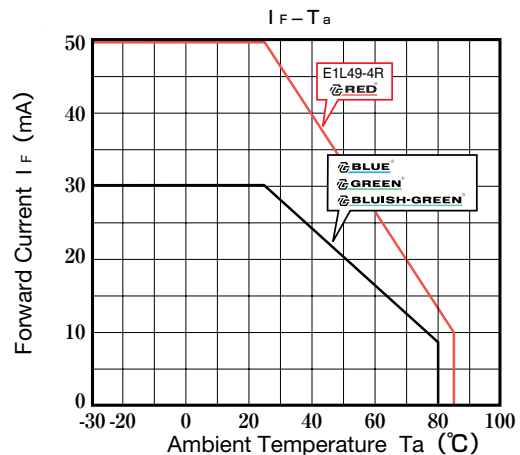
Typical Characteristics

* The data shows typical value.

Round Lamp/ Mono



Allowable Value





PRECAUTIONS IN USE

1

The products described in this brochure are intended only for standard applications or general electronic equipment such as office equipment, communications, and electronic instrumentation and household electrical appliances.

When they are used for transport equipment, disaster prevention and crime prevention equipment as well as other safety devices calling for high reliability and safety, users are required to pay particular heed to the safety design of the equipment as a whole in terms of fail-safe design and redundant design to maintain the reliability and safety of the equipment.

Consult Toyoda Gosei's staff in advance for special applications such as aviation, spacecraft, heating equipment and life-sustaining equipment which require exceptionally high reliability and safety and if their failure or malfunction may threaten human lives or may be detrimental to human bodies.

It is to be understood that the seller shall not be held responsible for any damage incurred as a result of using the product for the purpose which is not the standard the seller has intended to be used for, unless the seller agrees to the non-standard use in writing.

2

Users are requested to comply with the laws and public regulations concerning safety.

3

In the event the products which are to be used are in mass production, the execution of written specifications or purchase agreement between the seller and the customer is required.

The seller shall bear no responsibility for any damages or injury that are caused by customers' usage of the products without the execution of such specification or purchase agreement.

4

The detail of tolerance for Electrical/Optical characteristics can be found on the execution of written specifications.

CAUTION