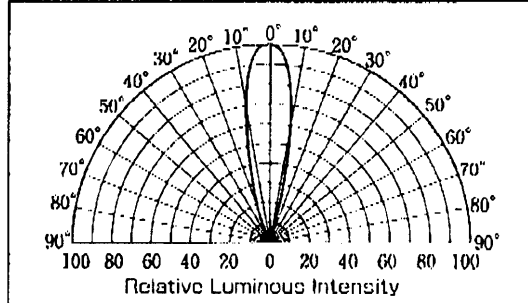


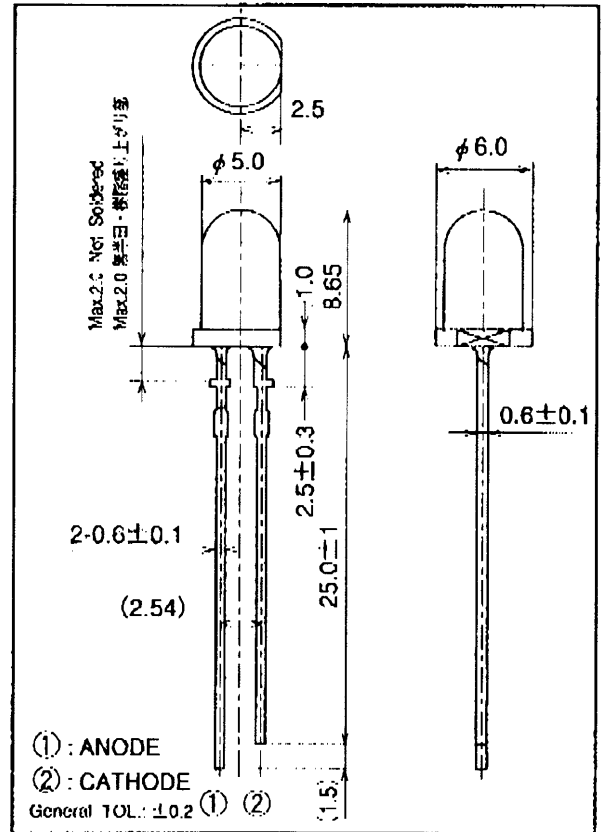
特 徴/Characters

- φ5 Round type
- Viewing angle 30°

指向特性/Directive Characteristics (Ta=25°C)



Outline Dimensions (Unit:mm)



www.DataSheet4U.com

絶対最大値/Absolute Maximum Ratings (Ta=25°C)

| Item                               | Symbol                      | Value            | Unit |
|------------------------------------|-----------------------------|------------------|------|
| 許容損失<br>Power Dissipation          | P <sub>D</sub>              | 120              | mW   |
| 順方向電流<br>DC Forward Current        | I <sub>F</sub>              | 30               | mA   |
| パルス順方向電流<br>Pulsed Forward Current | I <sub>F</sub> <sup>1</sup> | 100 <sup>1</sup> | mA   |
| 逆方向電圧<br>Reverse Voltage           | V <sub>R</sub>              | 5                | V    |
| 動作温度<br>Operating Temperature      | T <sub>opr</sub>            | -25~+80          | °C   |
| 保存温度<br>Storage Temperature        | T <sub>stg</sub>            | -30~+100         | °C   |

<sup>1</sup> Duty 1/10 Pulse Width 10ms.

電気的・光学的特徴/Electrical-Optical Characteristics (Ta=25°C)

| Type No. *2 | Luminous Intensity (mcd) *3 |      |                     | Forward Voltage (V) |      |                     | Reverse Current (μA) |                    | Wavelength Characteristics (nm) |                     |         |                     |
|-------------|-----------------------------|------|---------------------|---------------------|------|---------------------|----------------------|--------------------|---------------------------------|---------------------|---------|---------------------|
|             | Typ.                        | Min. | I <sub>F</sub> (mA) | Typ.                | Max. | I <sub>F</sub> (mA) | Max.                 | V <sub>R</sub> (V) | λ <sub>D</sub> Min.             | λ <sub>D</sub> Max. | Δλ Typ. | I <sub>r</sub> (mA) |
| E1L53-3B0A* | 1000                        | 520  | 20                  | 3.4                 | 3.9  | 20                  | 10                   | 5                  | 465                             | 475                 | 25      | 20                  |
| E1L53-3G0A* | 1200                        | 1900 | 20                  | 3.3                 | 3.9  | 20                  | 10                   | 5                  | 520                             | 530                 | 35      | 20                  |

\*2 光度ランク、商標記号は下表を参照ください。

\*3 軸上光順

\*2 Refer to the tables below for Luminous intensity rank No. and Package No.

\*1 Axial direction

光度ランク分類/Luminous Intensity (Ta=25°C)

| Rank | Luminous Intensity (mcd) |           |
|------|--------------------------|-----------|
|      | BLUE                     | GREEN     |
| 3    | 520~780                  | 1900~2800 |
| 4    | 780~1200                 | 2800~4200 |
| 5    | 1200~1800                | 4200~6300 |

(I<sub>F</sub> 20mA)

\*光度ランクの指定はご容赦願います。

\*Requesting Luminous Intensity Rank is not acceptable.

包装/Package

バラ/Bulk ..... 200pieces/bag (Cord No.2)  
 テープ/Taping ..... 2000pieces/tape (Cord No.6)  
 (example: 200 pieces/bag → E1L53-3B0A2)

\*購入にあたっては上記10桁品番にてお買いください。

\*Please use 10-digit part number, as above, at the order.

取り扱い上の注意/Precautions in handling

\*半田付けは樹脂製元部より2mm以上離して行ってください。

\*When soldering, leave 2 mm of minimum clearance between the resin and the soldering point.

Taping Outline Dimensions (Unit:mm)

