

ALTERNATOR DIODE FOR AUTOMOTIVE APPLICATION.

FEATURES

- Average Forward Current : $I_O=35A$.
- Zener Voltage : 21V(Typ.)

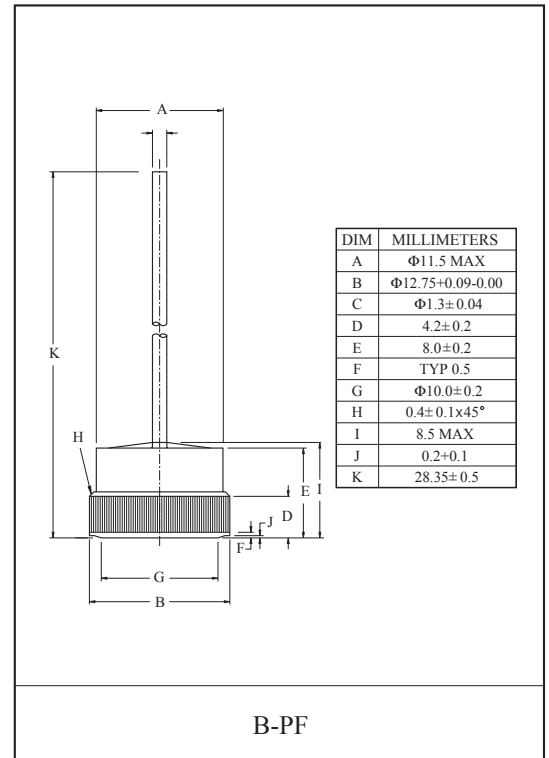
POLARITY

E35A21VBS (+ Type) : Mark : ZG

E35A21VBR (- Type) : Mark : ZA

MAXIMUM RATING ($T_a=25^\circ C$)

CHARACTERISTIC	SYMBOL	RATING	UNIT
Average Forward Current	$I_{F(AV)}$	35	A
Peak 1 Cycle Surge Current	I_{FSM}	300 (60Hz)	A
Non-Repetitive Peak Reverse Surge Current (10mS)	I_{RSM}	42	A
Transient Peak Reverse Voltage	V_{RSM}	19	V
Peak Reverse Voltage	V_{RM}	16	V
Junction Temperature	T_j	-40 ~ 215	$^\circ C$
Storage Temperature Range	T_{stg}	-40 ~ 215	$^\circ C$



ELECTRICAL CHARACTERISTICS ($T_a=25^\circ C$)

CHARACTERISTIC	SYMBOL	TEST CONDITION	MIN.	TYP.	MAX.	UNIT
Peak Forward Voltage	V_F	$I_{FM}=100A$	-	-	1.10	V
Zener Voltage	V_Z	$I_Z=10mA$	19	21	23	V
Reverse Current	I_R	$V_R=18V$	-	-	1	μV
Transient Thermal Resistance	ΔV_F	$I_{FM}=100A, I_M=100mA, P_w=100mS$	-	-	70	mV
Breakdown Voltage	V_{br}	$I_{Rsm}=42A, P_w=10mS$	-	-	32	V
Temperature Coefficient	α_T	$I_Z=10mA$	-	15.7	-	mV/ $^\circ C$
Reverse Leakage Current Under High Temperature	HI_R	$T_a=150^\circ C, V_R=18V$	-	-	100	μA
Temperature Resistance	R_{th}	DC total junction to case	-	-	0.8	$^\circ C/W$