

Mullard OSCILLOGRAPH TUBE

E42-G6/B6

CATHODE RAY TUBES FOR OSCILLOGRAPHIC USE

6 - Inch Screen

Heater	Vf = 4.0 V
	If = 1.0 A

Capacities	Cg = 12 uuF
	CD1D1' = 6 uuF
	CD2D2' = 7 uuF

Fluorescent Colour - Green (G6) Blue (B6)

Deflection - Double electrostatic for symmetrical operation.

→ Operating Conditions

Va2	1000	2000	V
Val	(approx.) 200	400	V
-Vg [‡]	0-35	0-35	V
N1	0.54	0.27	mm/V
N2	0.40	0.20	mm/V

[‡]The Grid Voltage should be adjusted to give the required light intensity. The voltage should never become positive or damage to the tube will result.

Limiting Values

Va2 max	2000	V
Val max	600	V
Max. writing speed	0.5	km/sec

E42-G6 & E42-B6

E42-G6/B6

Mullard OSCILLOGRAPH TUBE

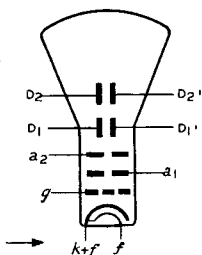


FIG 1

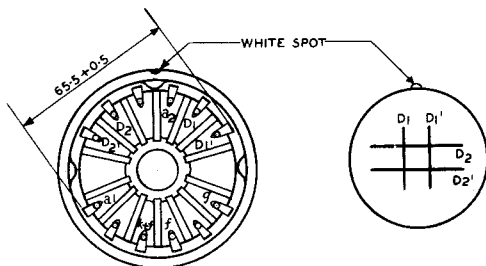


FIG 2

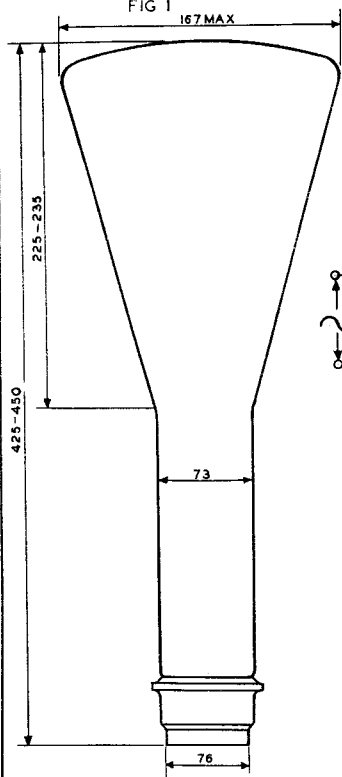


FIG 3

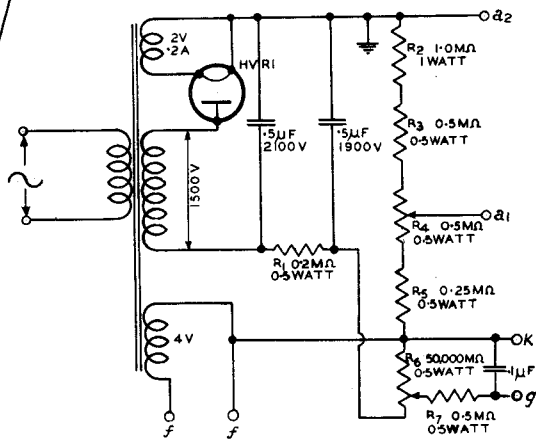


FIG 4

DIMENSIONS IN M/M

Mullard
OSCILLOGRAPH TUBE

E42-G6 & E42-B6

