

Cathode Ray Tube for Television Reception.

12-INCH SCREEN

HEATER CHARACTERISTICS

Heater Voltage	Vf	= 4.0 volts
Heater Current		If	= 1.0 amp

OPERATING CHARACTERISTICS

Third Anode Voltage	Va3	= 5,000 volts
Second Anode Voltage	Va2	= 1,400 volts
First Anode Voltage	Va1	= 250 volts
*Grid Voltage	-Vg	= 0-60 volts
Cathode internally connected to Heater—						
Deflection Sensitivity of Plates nearest Cathode					N1	= 0.17 mm/V
Deflection Sensitivity of Plates nearest Screen...					N2	= 0.13 mm/V

CAPACITIES

Grid to all other Electrodes	Cg	= 15 μ F
Between Deflection Plates nearest Cathode	CD1D1'	= 5.5 μ F
Between Deflection Plates nearest Screen	CD2D2'	= 6.5 μ F

FLUORESCENT COLOUR

White.

DEFLECTION

Double Electrostatic.

LIMITS

Maximum Third Anode Voltage	Va3 _{max}	= 5,000 volts
Maximum Second Anode Voltage	Va2 _{max}	= 1,700 volts
Maximum First Anode Voltage	Va1 _{max}	= 250 volts
Maximum Grid Voltage	-Vg _{max}	= 200 volts

* The grid voltage should be adjusted to give the required light intensity and definition. The voltage should never become positive or damage to the tube will result.

E46-12

Mullard TELEVISION TUBE

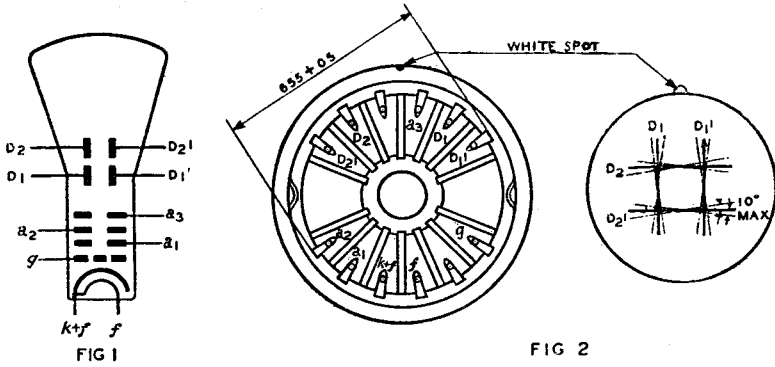


FIG 2

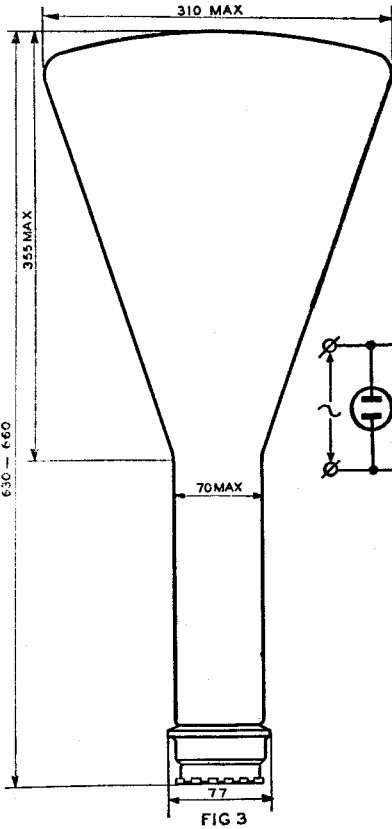


FIG 3

DIMENSIONS IN M/M

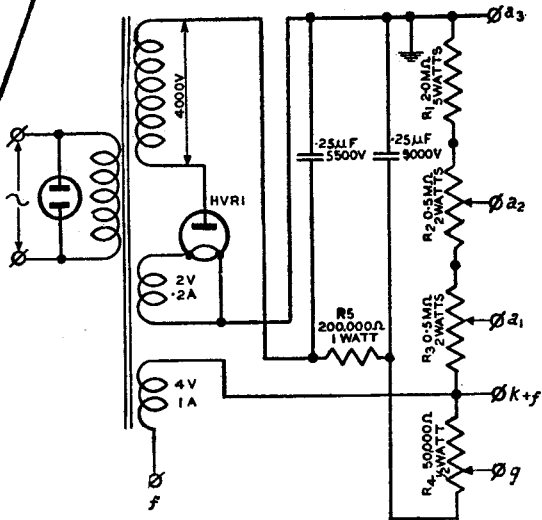


FIG 4

Mullard TELEVISION TUBE

E46-12

