

3A Avg.

200 Volts

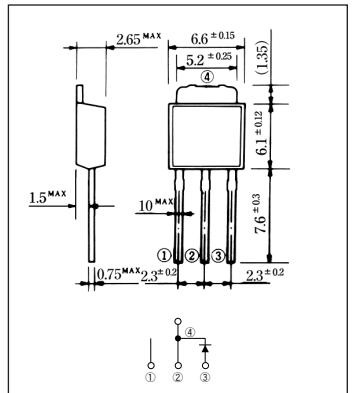
FRED

EA31FS2

■最大定格 Maximum Ratings

Item	Symbol	Conditions	Unit
くり返しピーク逆電圧 Repetitive Peak Reverse Voltage	V_{RRM}	200	V
非くり返しピーク逆電圧 Non-repetitive Peak Reverse Voltage	V_{RSM}	220	A
平均整流電流 Average Rectified Forward Current	I_O	Ta=30°C	1.7 A
		Tc=129°C	3 A
実効順電流 R.M.S. Forward Current	$I_{F(RMS)}$	4.71	A
サージ順電流 Surge Forward Current	I_{FSM}	45 50Hz正弦半波、1サイクル、非くり返し 50Hz Half Sine Wave, 1cycle, Non-repetitive	A
動作接合温度範囲 Operating Junction Temperature Range	T_{jw}	-40~+150°C	°C
保存温度範囲 Storage Temperature Range	T_{stg}	-40~+150°C	°C

■OUTLINE DRAWING(mm)



■APPROX. NET WEIGHT:0.35g

■電氣的・熱的特性 Electrical/Thermal Characteristics

Item	Symbol	Conditions	Min.	Typ.	Max.	Unit
ピーク逆電流 Peak Reverse Current	I_{RM}	$T_j=25^\circ\text{C}, V_{RM}=V_{RRM}$	—	—	10	μA
ピーク順電圧 Peak Forward Voltage	V_{FM}	$T_j=25^\circ\text{C}, I_{FM}=3\text{A}$	—	—	0.98	V
逆回復時間 Reverse Recovery Time	trr	$I_{FM}=3\text{A}, -di/dt=50\text{A}/\mu\text{s}, T_j=25^\circ\text{C}$	—	—	30	ns
熱抵抗 Thermal Resistance	$R_{th(j-a)}$	接合部・周囲間 Junction to Ambient	—	—	80	°C/W
	$R_{th(j-c)}$	接合部・ケース間 Junction to Case	—	—	6	°C/W

* Soldering Lands = 2 × 3.5 mm Both Sides

■定格・特性曲線

