

## 2A 150KHz PWM Buck DC/DC Converter

### Description

The EC9409 is a of easy to use adjustable step-down (buck) switch-mode voltage regulator. The device is available in an adjustable output version. It is capable of driving a 2A load with excellent line and load regulation.

Requiring a minimum number of external omponents, these regulators are simple to use and include internal frequency compensation, and a fixed-frequency oscillator.

The output voltage is guaranteed to  $\pm 3\%$  tolerance under specified input voltage and output load conditions. The oscillator frequency is guaranteed to  $\pm 15\%$ . External shutdown is included, featuring typically 50  $\mu\text{A}$  standby current. Self protection features include a two stage frequency reducing current limit for the output switch and an over temperature shutdown for complete protection under fault conditions.

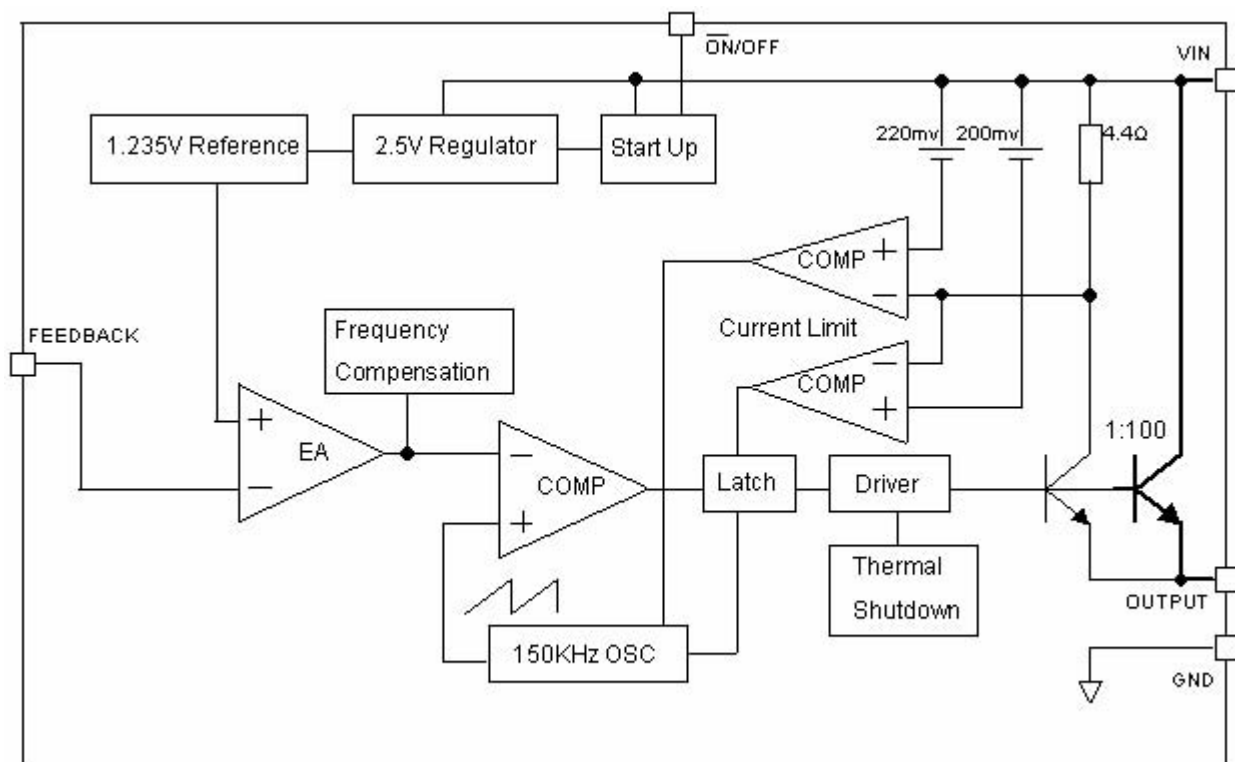
### Features

- 3.3V,5.0V and Adjustable output versions
- Output adjustable from 1.23v to 43V
- Fixed 150KHz frequency internal oscillator
- Guaranteed 2A output load current
- Input voltage range up to 45V
- Low power standby mode,  $I_Q$  typically 50  $\mu\text{A}$
- TTL shutdown capability
- Excellent line and load regulation
- High efficiency
- Thermal shutdown and current limit protection
- Available in advantaged SOP8 and DIP8 package

### Applications

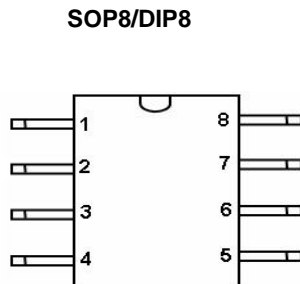
- Simple High-efficiency step-down regulator
- On-card switching regulators
- Positive to negative converter
- LCD monitor and LCD TV
- DVD recorder and PDP TV
- Battery charger
- Step-down to 3.3V for microprocessors

### Block Diagram



## 2A 150KHz PWM Buck DC/DC Converter

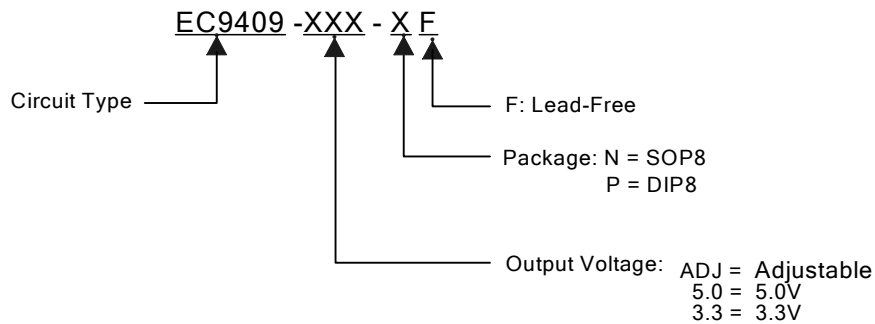
### Pin Assignment (Top-View)



### Pin Descriptions

Pin	Name	Description
1	Vin	Input supply voltage
2	Output	Switching output
3	Feedback	Output voltage feedback
4	ON/OFF	ON/OFF shutdown Active is "Low" or floating
5~8	Gnd	Ground

### Ordering/ Marking Information



Package type	Part Number	Marking	Marking Information
SOP8	EC9409-XXX-NF	EC9409-F XXX	F is Lead free package. XXX is the Output Voltage of production.
DIP8	EC9409-XXX-PF	00000000	00000000 is Lot number

代理商：深圳市康元达科技有限公司

TEL: 0755-27821553 FAX: 0755-27813072

## 2A 150KHz PWM Buck DC/DC Converter

### Absolute Maximum Ratings

Note: Stresses greater than those listed under Maximum Ratings may cause permanent damage to the device. This is a stress rating only and functional operation of the device at these or any other conditions above those indicated in the operation is not implied. Exposure to absolute maximum rating conditions for extended periods may affect reliability.

Parameter	Symbol	Value	Unit
Supply Voltage $V_{IN}$	$V_{IN}$	-0.3 ~ 45	V
Feedback VFB pin voltage	$V_{FB}$	-0.3 ~ $V_{IN} + 0.3$	V
ON/OFF Pin voltage	$V_{ON/OFF}$	-0.3 ~ $V_{IN} + 0.3$	V
Output pin voltage	$V_{OUT}$	-0.3 ~ $V_{IN} + 0.3$	V
Output Voltage to Ground (Steady State)	-	-1	V
Power Dissipation	$P_D$	Internally limited	W
Operating Temperature Range	$T_{opr}$	-40~+125	°C
Storage Temperature	$T_{stg}$	-65~+150	°C
Lead Temperature (Soldering, 10 sec)	$T_{Lead}$	200	°C
ESD(HM)	$V_{ESD}$	2000	V

### Electrical Characteristics

Unless otherwise specified,  $V_{in} = 12V$ ,  $I_{load} = 0.5A$ ,  $T_a = 25^\circ C$ .

Symbol	Parameter	Conditions	Min.	Typ.	Max.	Unit
$I_b$	Feedback bias current	$V_{FB}=1.3V$	-	10	50/100	nA
$I_Q$	Quiescent current	$V_{FB}=12V$ force driver off	-	5	10	mA
$I_{STBY}$	Standby quiescent current	ON/OFF=5V, $V_{IN}=36V$	-	50	100	uA
$F_{OSC}$	Oscillator frequency	-	127	150	173	KHz
$V_{SAT}$	Saturation voltage	$I_{OUT}=2A$	-	1.10	1.3	V
$I_{CL}$	Current Limit	Peak Current ( $V_{FB}=0V$ )	-	3.8	-	A
$I_L$	Output leakage current	Output=0V ( $V_{FB}=12V$ )	-	-	50	uA
$I_L$	Output leakage current	Output=-1V ( $V_{IN}=32V$ )	-	2	30	mA
$V_{IL}$	ON/OFF pin logic input Threshold voltage	Low (Regulator ON)	-	1.3	0.6	V
$V_{IH}$		High (Regulator OFF)	2.0	1.3	-	V
$I_H$	ON/OFF pin input current	$V_{LOGIC}=2.5V$ (Regulator OFF)	-	5	15	uA
$I_L$		$V_{LOGIC}=0.5V$ (Regulator ON)	-	0.02	5	uA
$\theta_{JC}$	Thermal Resistance Junction to Case	SOP8/DIP8	-	10	-	°C / W
$\theta_{JA}$	Thermal Resistance Junction to Ambient (Note1)	SOP8/DIP8	-	40	-	°C / W

## 2A 150KHz PWM Buck DC/DC Converter

### Electrical Characteristics (Continued)

Unless otherwise specified,  $V_{in} = 12V$ ,  $I_{load} = 0.5A$ ,  $T_a = 25^\circ C$ .

ADJ	Vfb: Output Voltage	$11V \leq V_{IN} \leq 45V$ , $0.2A \leq I_{LOAD} \leq 2A$ $V_{out}$ for 9V	1.193/ 1.180	1.23	1.267/ 1.280	V
	$\eta$ : Efficiency	$V_{IN}=12V, V_{OUT}=9V, I_{LOAD}=2A$	-	89	-	%
5.0V	Vout: Output Voltage	$7V \leq V_{IN} \leq 45V$ , $0.2A \leq I_{LOAD} \leq 2A$	4.800/ 4.750	5.0	5.200/ 5.250	V
	$\eta$ : Efficiency	$V_{IN}=12V, I_{LOAD}=2A$	-	85	-	%
3.3V	Vout: Output Voltage	$4.75V \leq V_{IN} \leq 45V$ , $0.2A \leq I_{LOAD} \leq 2A$	3.168/ 3.135	3.3	3.432/ 3.465	V
	$\eta$ : Efficiency	$V_{IN}=12V, I_{LOAD}=2A$	-	76	-	%

Specifications with boldface type are for full operating temperature range, the other type are for  $T_J=25^\circ C$ .

Note1: Thermal resistance with copper area of approximately 3 in<sup>2</sup>.

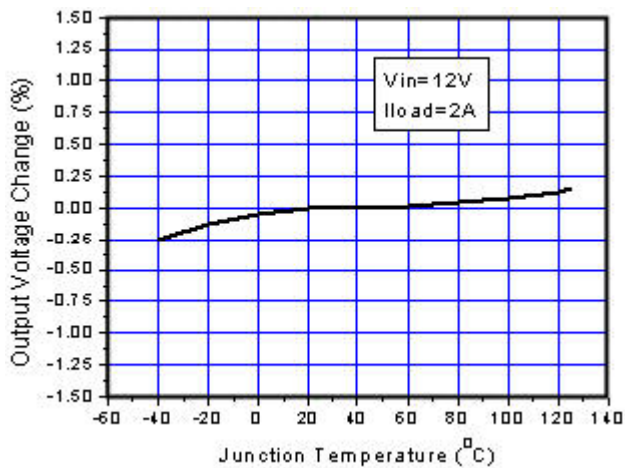
代理商：深圳市康元达科技有限公司

TEL: 0755-27821553 FAX: 0755-27813072

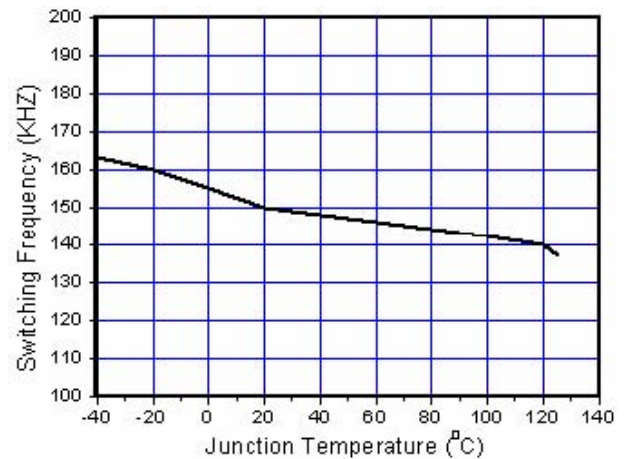
## 2A 150KHz PWM Buck DC/DC Converter

### Typical Performance Characteristics

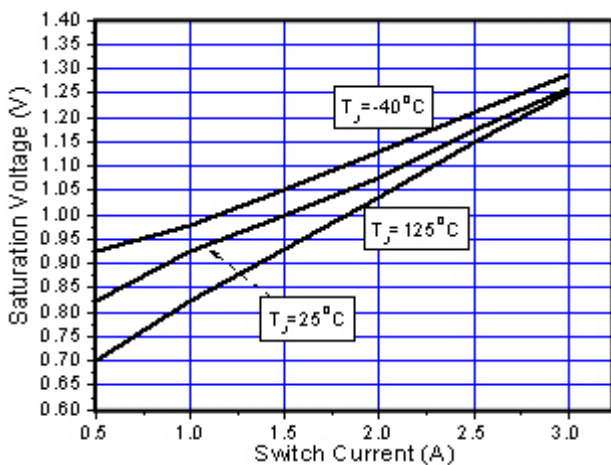
**Output Voltage vs. Temperature**



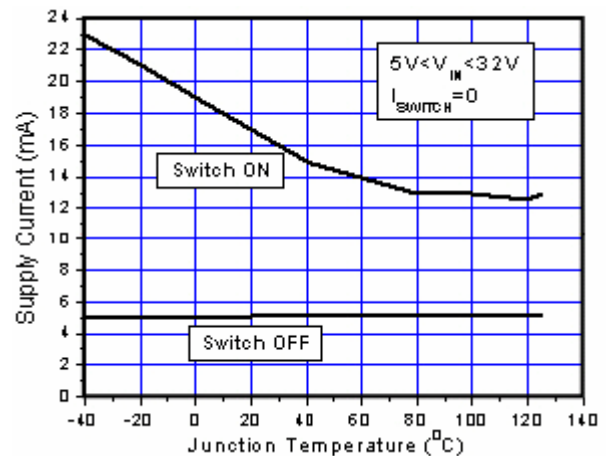
**Switching Frequency vs. Temperature**



**Output Saturation Characteristics**



**Quiescent Current vs. Temperature**



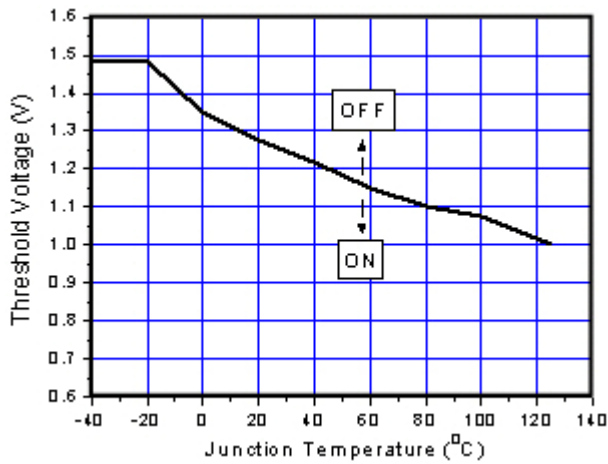
代理商：深圳市康元达科技有限公司

TEL: 0755-27821553 FAX: 0755-27813072

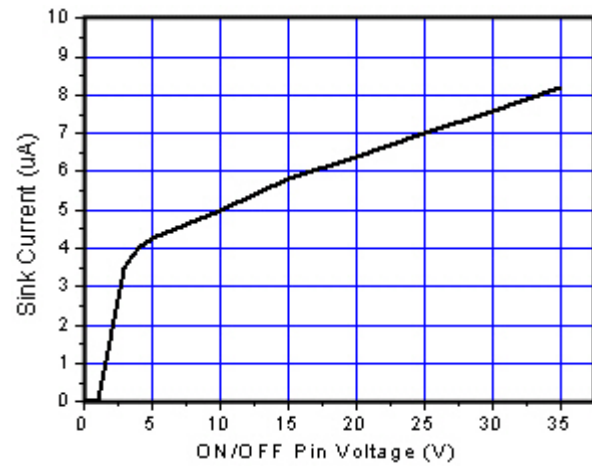
## 2A 150KHz PWM Buck DC/DC Converter

### Typical Performance Characteristics (Continued)

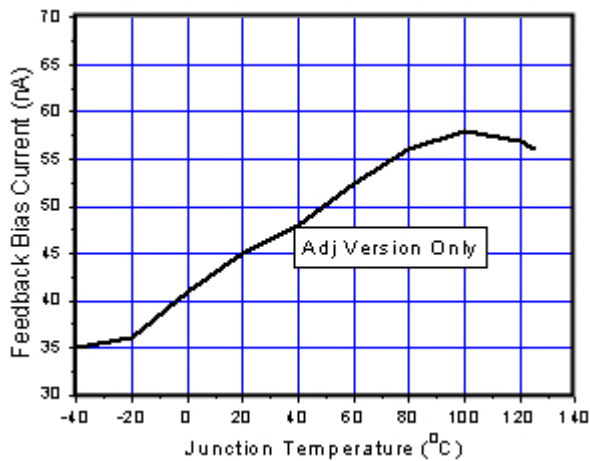
ON/OFF Pin Voltage



ON/OFF Pin Sink Current



Output Saturation Characteristics



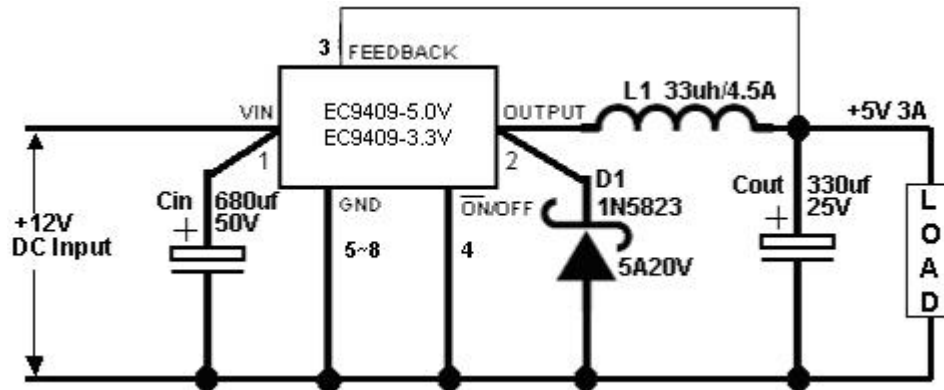
代理商：深圳市康元达科技有限公司

TEL: 0755-27821553 FAX: 0755-27813072

## 2A 150KHz PWM Buck DC/DC Converter

### Typical Application Circuit

Typical Application of EC9409 for 5.0V, 3.3V



#### EC9409 Series Buck Regulator Design Procedure for 5.0V

Input Voltage	Inductor (L1)	Output Capacitor (Cout)	
		Through Hole Electrolytic	Surface Mount Tantalum
8V ~ 18V	33uH	330uF/25V	220uF/10V
8V ~ 45V	47uH	470uF/25V	330uF/10V

#### EC9409 Series Buck Regulator Design Procedure for 3.3V

Input Voltage	Inductor (L1)	Output Capacitor (Cout)	
		Through Hole Electrolytic	Surface Mount Tantalum
6V ~ 18V	47uH	470uF/25V	330uF/6.3V
6V ~ 45V	68uH	560uF/25V	330uF/6.3V

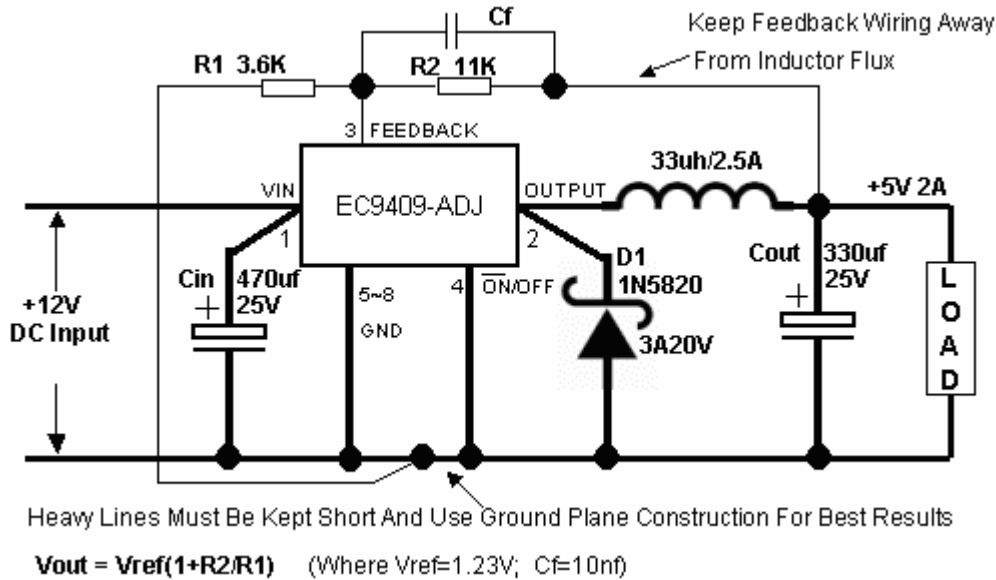
代理商： 深圳市康元达科技有限公司

TEL: 0755-27821553 FAX: 0755-27813072

## 2A 150KHz PWM Buck DC/DC Converter

### Typical Application Circuit (Continued)

Typical Application of EC9409 for ADJ



EC9409 Vout R1, R2, Cf Select Table

Vout	R1	R2	Cf (Operational)
3.3V	1.6K	2.7K	33nf
5V	3.6K	11K	10nf
9V	6.8K	43K	1.5nf
12V	1.5K	13K	1nf

EC9409 Typical Application Buck Regulator Design Procedure

Output Voltage	Input Voltage	Inductor (L1)	Output Capacitor (Cout)
			Through Hole Electrolytic
3.3V	6V ~ 18V	47uh	470uf/25V
	6V ~ 36V	68uh	560uf/25V
5V	8V ~ 18V	33uh	330uf/25V
	8V ~ 36V	47uh	470uf/25V
9V	12V ~ 18V	47uh	330uf/25V
	12V ~ 36V	47uh	470uf/25V
12V	15V ~ 18V	47uh	220uf/25V
	15V ~ 36V	47uh	330uf/25V



## 2A 150KHz PWM Buck DC/DC Converter

### Function Description

#### +VIN

This is the positive input supply for the IC switching regulator. A suitable input bypass capacitor must be present at this pin to minimize voltage transients and to supply the switching currents needed by the regulator

#### Ground

Circuit ground.

#### Output

Internal switch. The voltage at this pin switches between (+VIN – VSAT) and approximately – 0.5V, with a duty cycle of approximately VOUT / VIN. To minimize coupling to sensitive circuitry, the PC board copper area connected to this pin should be kept a minimum.

#### Feedback

Senses the regulated output voltage to complete the feedback loop.

#### ON/OFF

Allows the switching regulator circuit to be shutdown using logic level signals thus dropping the total input supply current to approximately 50uA. Pulling this pin below a threshold voltage of approximately 1.3V turns the regulator on, and pulling this pin above 1.3V (up to a maximum of 32V) shuts the regulator down. If this shutdown feature is not needed, the ON /OFF pin can be wired to the ground pin or it can be left open, in either case the regulator will be in the ON condition.

#### Thermal Considerations

The EC9409 is available in SOP8/DIP8 package.

The SOP8 package needs a heat sink under most conditions. The size of the heat sink depends on the input voltage, the output voltage, the load current and the ambient temperature. The EC9409 junction temperature rises above ambient temperature for a 2A load and different input and output voltages. The data for these curves was taken with the EC9409 (SOP8/DIP8 package) operating as a buck switching regulator in an ambient temperature of 25°C (still air). These temperature rise numbers are all approximate and there are many factors that can affect these temperatures. Higher ambient temperatures require more heat sinking.

For the best thermal performance, wide copper traces and generous amounts of printed circuit board copper should be used in the board layout. (Once exception to this is the output (switch) pin, which should not have large areas of copper.) Large areas of copper provide the best transfer of heat (lower thermal resistance) to the surrounding air, and moving air lowers the thermal resistance even further.

Package thermal resistance and junction temperature rise numbers are all approximate, and there are many factors that will affect these numbers. Some of these factors include board size, shape, thickness, position, location, and even board temperature. Other factors are, trace width, total printed circuit copper area, copper thickness, single or double-sided, multi-layer board and the amount of solder on the board.

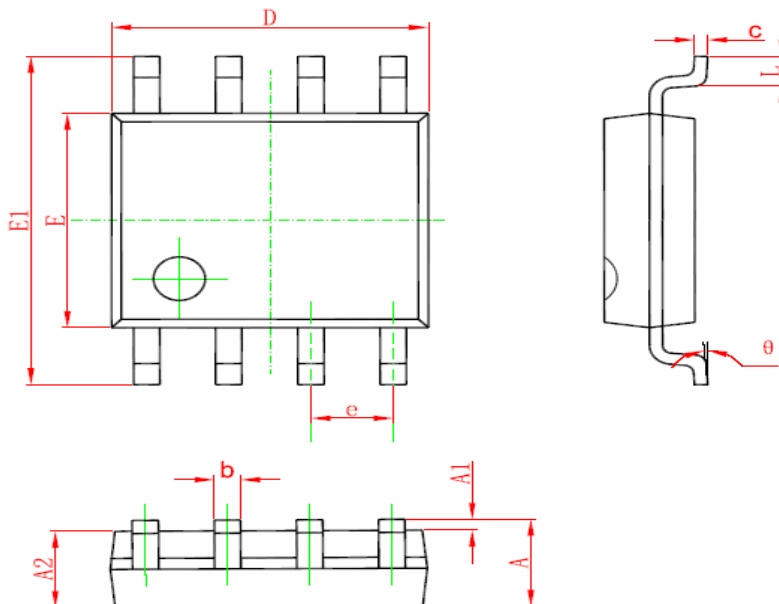
The effectiveness of the PC board to dissipate heat also depends on the size, quantity and spacing of other components on the board, as well as whether the surrounding air is still or moving. Furthermore, some of these components such as the catch diode will add heat to the PC board and the heat can vary as the input voltage changes. For the inductor, depending on the physical size, type of core material and the DC resistance, it could either act as a heat sink taking heat away from the board, or it could add heat to the board.

代理商：深圳市康元达科技有限公司

TEL: 0755-27821553 FAX: 0755-27813072

## 2A 150KHz PWM Buck DC/DC Converter

### OUTLINE DRAWING FOR SOP8



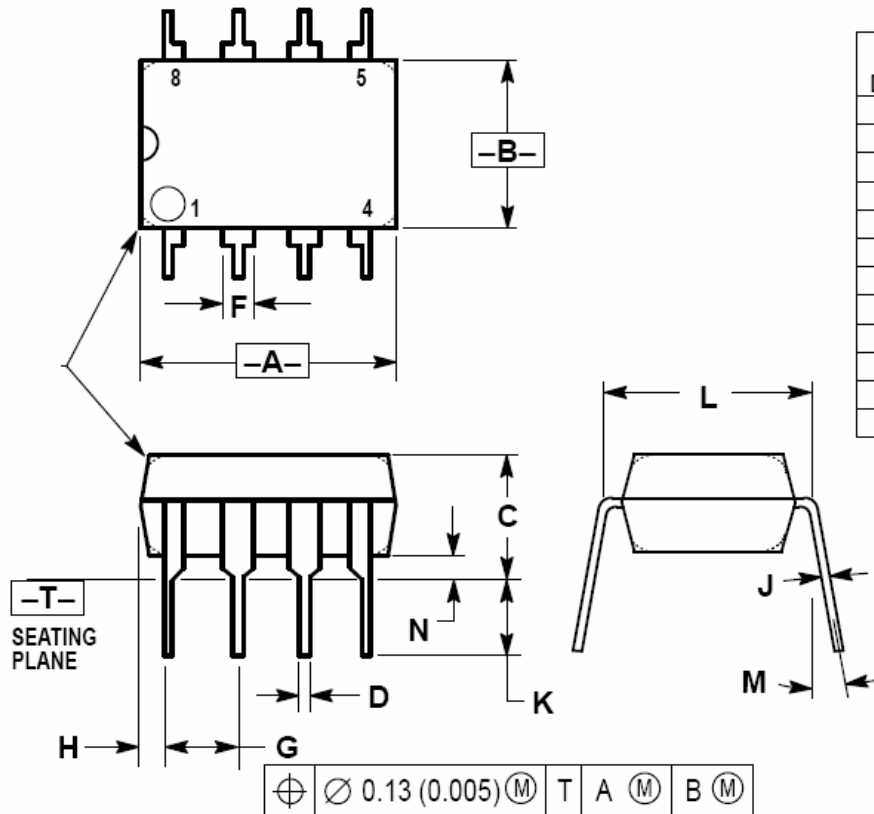
Symbol	Dimensions In Millimeters		Dimensions In Inches	
	Min	Max	Min	Max
A	1.350	1.750	0.053	0.069
A1	0.100	0.250	0.004	0.010
A2	1.350	1.550	0.053	0.061
b	0.330	0.510	0.013	0.020
c	0.170	0.250	0.006	0.010
D	4.700	5.100	0.185	0.200
E	3.800	4.000	0.150	0.157
E1	5.800	6.200	0.228	0.244
e	1.270 (BSC)		0.050 (BSC)	
L	0.400	1.270	0.016	0.050
θ	0°	8°	0°	8°

代理商： 深圳市康元达科技有限公司

TEL: 0755-27821553 FAX: 0755-27813072

**2A 150KHz PWM Buck DC/DC Converter**

**OUTLINE DRAWING FOR DIP8**



DIM	MILLIMETERS		INCHES	
	MIN	MAX	MIN	MAX
A	9.40	10.16	0.370	0.400
B	6.10	6.60	0.240	0.260
C	3.94	4.45	0.155	0.175
D	0.38	0.51	0.015	0.020
F	1.02	1.78	0.040	0.070
G	2.54 BSC		0.100 BSC	
H	0.76	1.27	0.030	0.050
J	0.20	0.30	0.008	0.012
K	2.92	3.43	0.115	0.135
L	7.62 BSC		0.300 BSC	
M	—	10°	—	10°
N	0.76	1.01	0.030	0.040

代理商：深圳市康元达科技有限公司

TEL: 0755-27821553 FAX: 0755-27813072