

3A 380KHZ 28V PWM Buck DC/DC Converter

General Description

The EC9483 is a 380 KHz fixed frequency monolithic step down switch mode regulator with a built in internal Power MOSFET. It achieves 3A continuous output current over a wide input supply range with excellent load and line regulation.

The device includes a voltage reference, oscillation circuit, error amplifier, internal PMOS and etc.

The PWM control circuit is able to adjust the duty ratio linearly from 0 to 100%. An enable function, an over current protection function and a short circuit protection function are built inside. An internal compensation block is built in to minimize external component count.

The EC9483 serves as ideal power supply units for portable devices.

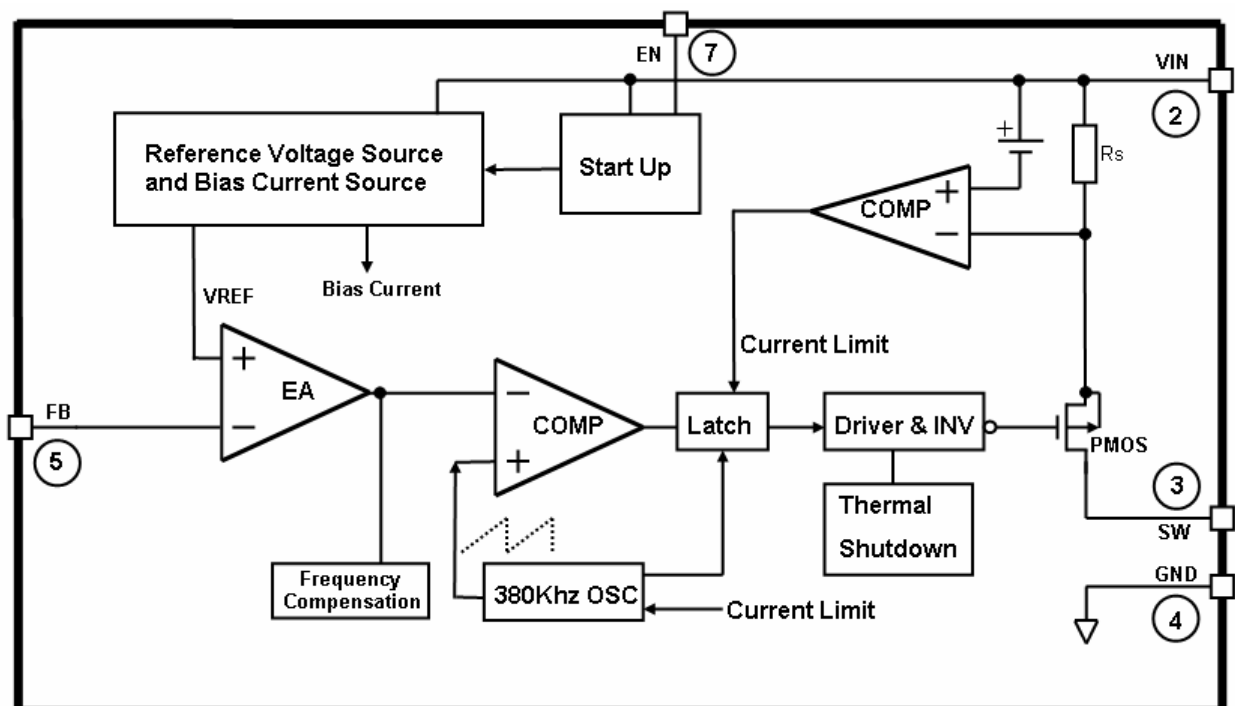
Features

- 3A Constant Output Current
- 140mΩ RDSON Internal Power PMOSFET Switch
- Up to 95% Efficiency
- Fixed 380KHz Frequency
- Wide 3.6V to 28V Input Voltage Range
- Output Adjustable from 1.222V to 26V
- Built in Frequency Compensation
- Built in Thermal Shutdown Function
- Built in Current Limit Function
- SOP8 Package is Available
- The minimum dropout up to 0.3V

Applications

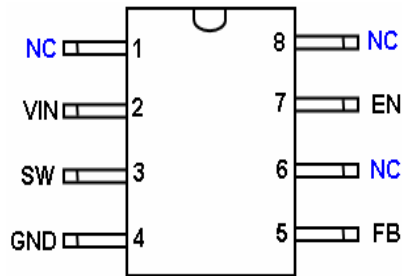
- Portable DVD
- LCD Monitor / TV
- Battery Charger
- ADSL Modem
- Telecom / Networking Equipment

Function Block



3A 380KHZ 28V PWM Buck DC/DC Converter

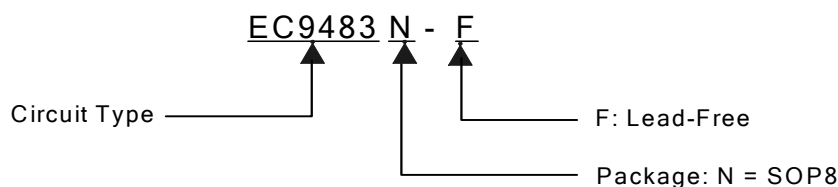
Pin Assignments



Pin Description

Pin Number	Pin Name	Description
1,6,8	NC	Not Connect
2	Vin	Supply Voltage Input Pin. EC9483 operates from a 3.6V to 28V DC voltage. Bypass Vin to GND with a suitably large capacitor to eliminate noise on the input.
3	SW	Power Switch Output Pin. SW is the switch node that supplies power to the output.
4	GND	Ground Pin. Care must be taken in layout. This pin should be placed outside of the Schottky Diode to output capacitor ground path to prevent switching current spikes from inducing voltage noise into EC9483.
5	FB	Feedback Pin. Through an external resistor divider network, FB senses the output voltage and regulates it. The feedback threshold voltage is 1.222V.
7	EN	Enable Pin. EN is a digital input that turns the regulator on or off. Drive EN pin high to turn on the device, drive it low to turn it off.

Ordering/ Marking Information



Package type	Part Number	Marking	Marking Information
SOP8	EC9483N-F	EC9483-F YYWW XXXXXXXX	F is Lead free package. YY is the year of production. 06 means the product is manufactured in year of 2006. WW is the week of production. 25 means the product is manufactured in the 25 th week. XXXXXXXX is Lot number.

**Absolute Maximum Ratings**

Parameter	Symbol	Value	Unit
Input Voltage	V _{IN}	-0.3 to 28	V
Feedback Pin Voltage	V _{FB}	-0.3 to V _{in}	V
Enable Pin Voltage	V _{EN}	-0.3 to 12	V
Switch Pin Voltage	V _{SW}	-0.3 to V _{in}	V
Power Dissipation	P _D	Internally limited	mW
Operating Junction Temperature	T _J	150	°C
Storage Temperature	T _{STG}	-65 to 150	°C
Lead Temperature (Soldering, 10 sec)	T _{LEAD}	260	°C
ESD (HBM)	V _{ESD}	2000	V

Note1: Stresses greater than those listed under Maximum Ratings may cause permanent damage to the device. This is a stress rating only and functional operation of the device at these or any other conditions above those indicated in the operation is not implied. Exposure to absolute maximum rating conditions for extended periods may affect reliability.

Recommended Operating Conditions

Parameter	Symbol	Min.	Max.	Unit
Input Voltage	V _{IN}	3.6	28	V
Operating Junction temperature	T _J	-40	125	°C
Operating Ambient Temperature	T _A	-40	85	°C

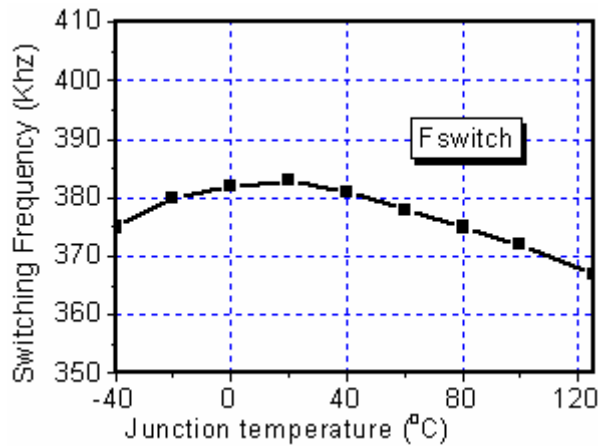
**3A 380KHZ 28V PWM Buck DC/DC Converter****Electrical Characteristics**

VCC = 12V, Ta = 25°C unless otherwise specified.

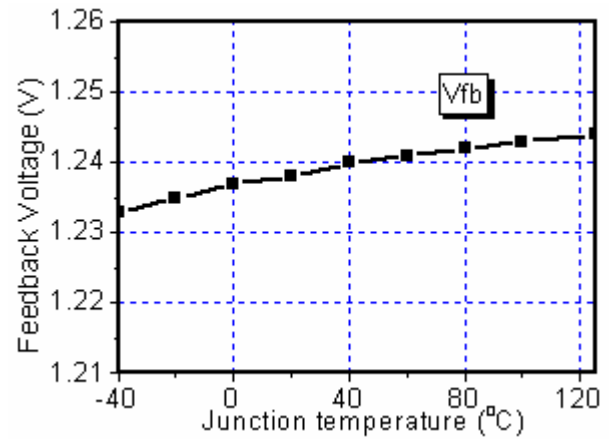
Parameters	Symbol	Test Condition	Min.	Typ.	Max.	Unit
Input voltage	VIN	-	3.6	-	28	V
Shutdown Supply Current	ISTBY	VEN=0V	-	30	90	Ua
Supply Current	ICC	VEN=2V, VFB=1.3V	-	3.6	4	mA
Feedback Voltage	VFB	VIN = 3.6V to 23V	1.21	1.222	1.26	V
Feedback Bias Current	IFB	VFB=1.3V	-	0.1	0.5	uA
Switch Current Limit	ILIM	-	-	4	5	A
Oscillator Frequency	FOSC	-	320	380	440	KHz
Frequency of Current Limit or Short Circuit Protection	FOSC1	VFB=0V	-	42	-	KHz
EN Pin Threshold	VEN	-	0.7	1.2	1.7	V
EN Pin Input Leakage Current	IH	VEN=2.5V	-	-0.1	-1	uA
	IL	VEN=0.5V	-	-3	-10	uA
Internal PMOS RDSON	RDSON	VIN≤12V,VFB=0V VEN=12V, Iout=3A	-	80	-	mΩ
Max. Duty Cycle	DMAX	VFB=0V, ISW=0.1A	-	100	-	%
Efficiency	η	VIN=12V, Vout=5V Iout=3A	-	92	-	%
Thermal Shutdown	TOTSD	-	-	165	-	°C

Typical Performance Characteristics

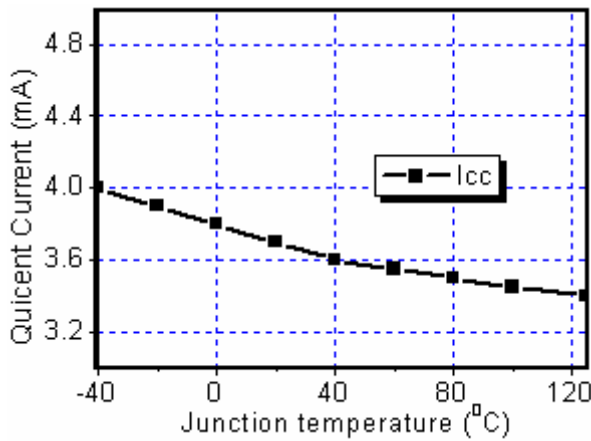
Switching Frequency vs. Temperature



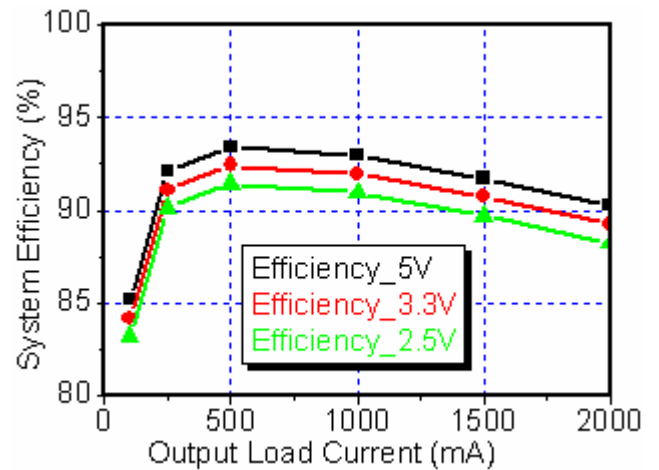
V_{FB} vs. Temperature



I_{CC} vs. Temperature



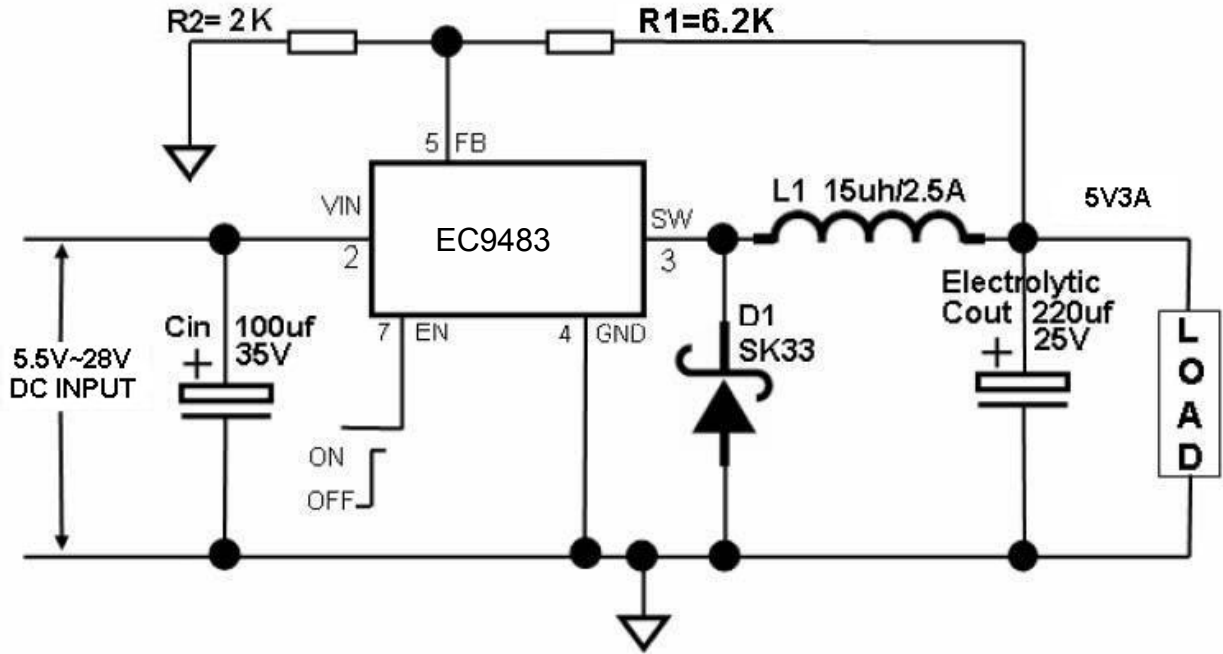
Efficiency vs. Load (V_{in}=10V)



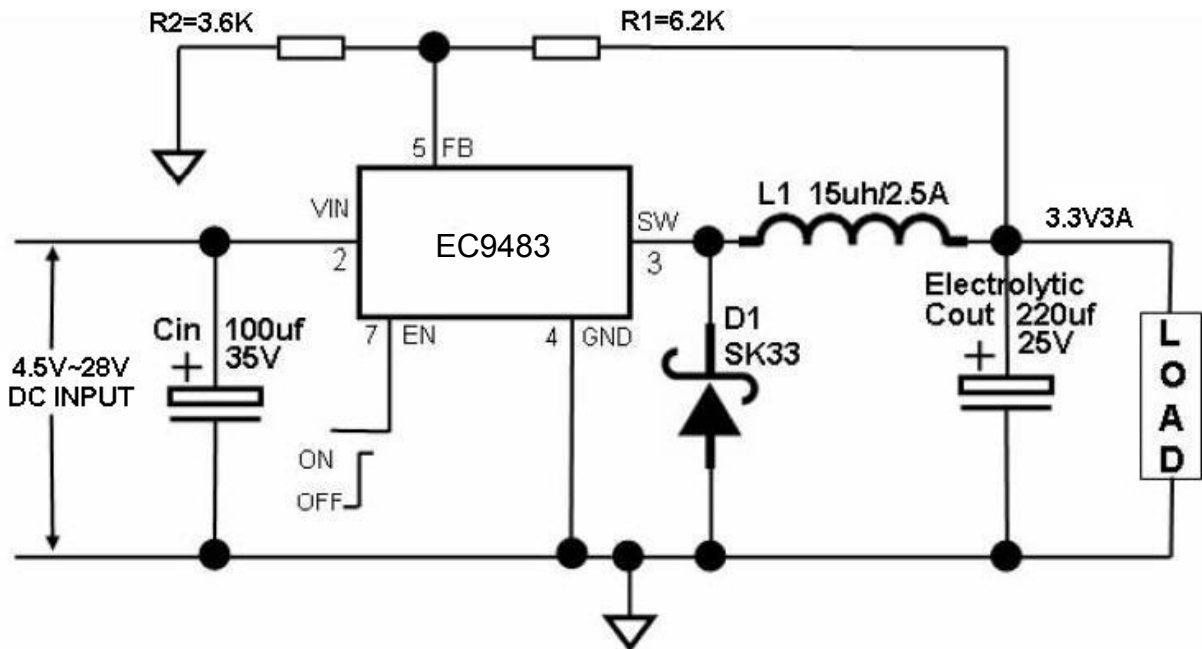
3A 380KHZ 28V PWM Buck DC/DC Converter

Typical Application Circuit

Typical Application Circuit @ 5V/3A



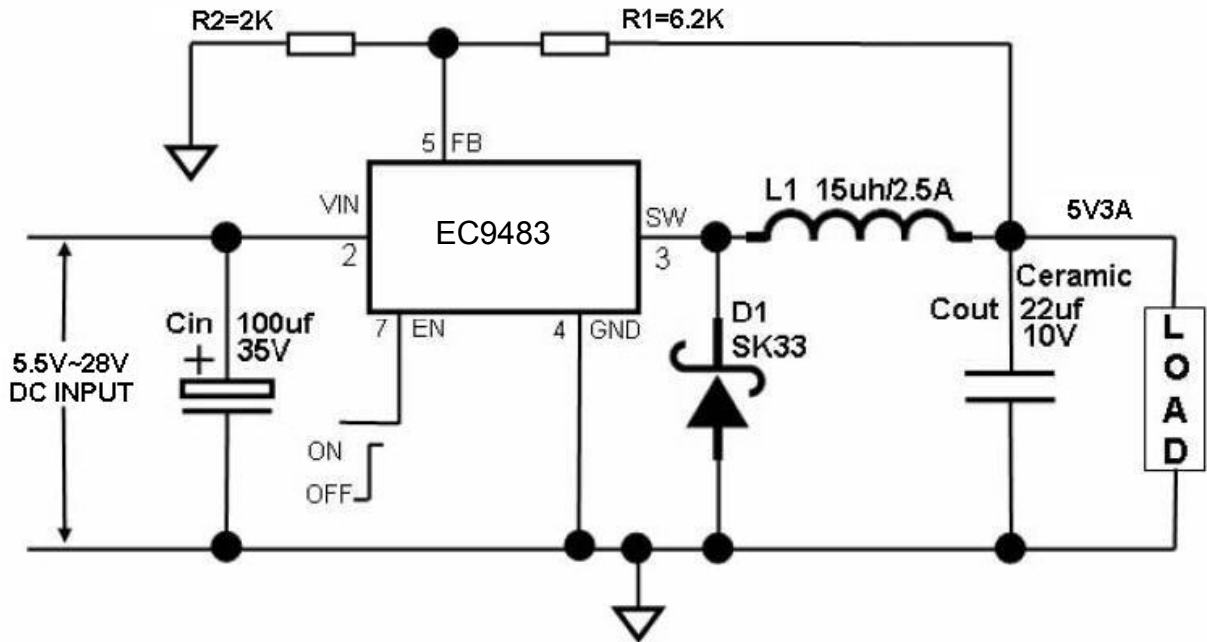
Typical Application Circuit @ 3.3V/3A



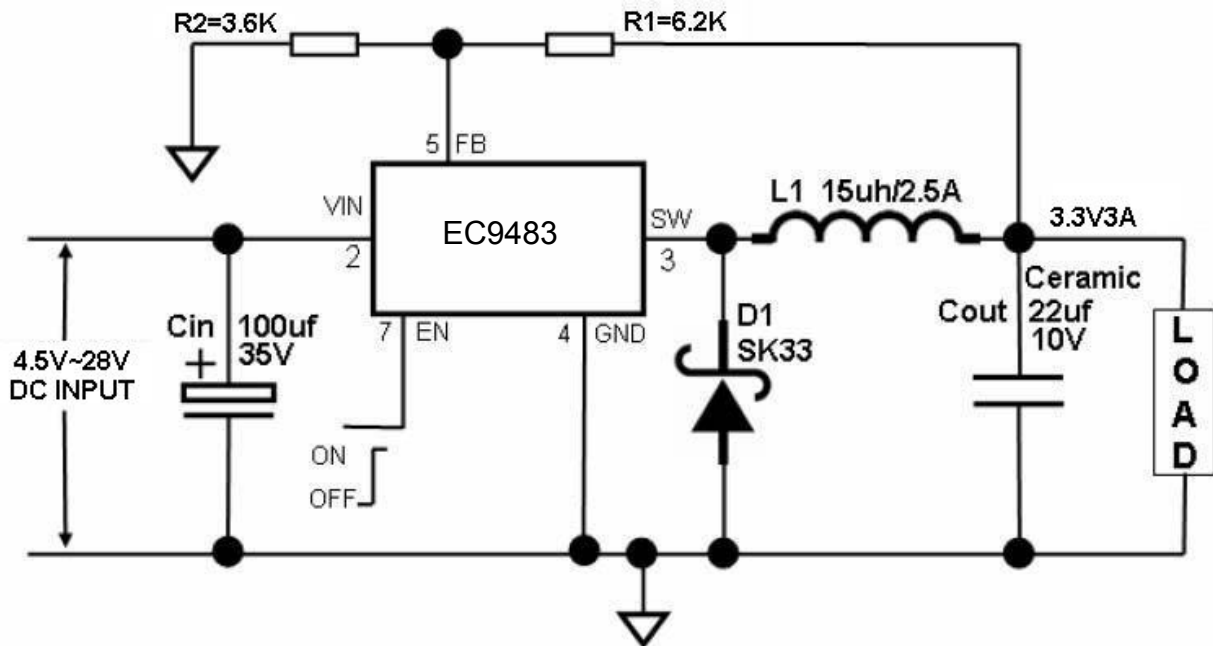
3A 380KHZ 28V PWM Buck DC/DC Converter

Typical Application Circuit (Continued)

Typical Application Circuit (with ceramic output capacitor) @ 5V/3A



Typical Application Circuit (with ceramic output capacitor) @ 3.3V/3A



3A 380KHZ 28V PWM Buck DC/DC Converter

Schottky Rectifier Selection Guide

EC9483 Lists some rectifier manufacturers.

Vin (Max)	3A Load Current	
	Part Number	Vendor
20V	B320	Diodes, Inc.
	SK33	Diodes, Inc.
	SS32	General Semiconductor
30V	B330	Diodes, Inc.
	B340L	Diodes, Inc.
	MBRD330	On Semiconductor
	SK33	Diodes, Inc.
	SS33	General Semiconductor

Output Voltage VS R1, R2 Resistor Selection Guide ($V_{out} = (1+R1/R2)*1.222V$)

EC9483 Vout VS. R1, R2 Select Table

Vout	R1	R2
1.8V	3.9K	8.2K
2.5V	3.2K	3K
3.3V	6.2K	3.6K
5V	6.2K	2K
9V	13K	2K
12V	16K	1.8K

3A 380KHZ 28V PWM Buck DC/DC Converter

Function Description

VIN

This is the positive input supply for the IC switching regulator. A suitable input bypass capacitor must be present at this pin to minimize voltage transients and to supply the switching currents needed by the regulator

GND

Circuit ground.

SW

Internal switch. The voltage at this pin switches between $(V_{IN} - V_{GS})$ and approximately $-0.5V$, with a duty cycle of approximately V_{OUT} / V_{IN} . To minimize coupling to sensitive circuitry, the PC board copper area connected to this pin should be kept a minimum.

FB

Senses the regulated output voltage to complete the feedback loop.

EN

Allows the switching regulator circuit to be shutdown using logic level signals thus dropping the total input supply current to approximately 30uA. Pulling this pin below a threshold voltage of approximately 1.3 V turns the regulator down, and pulling this pin above 1.3V (up to a maximum of 12V) shuts the regulator on. For automatic startup condition can be implemented by the addition of a resistive voltage divider from VIN to GND.

Thermal Considerations

The SOP8 package needs a heat sink under most conditions. The size of the heat sink depends on the input voltage, the output voltage, the load current and the ambient temperature. The EC9483 junction temperature rises above ambient temperature for a 3A load and different input and output voltages. The data for these curves was taken with the EC9483 (SOP8 package) operating as a buck-switching regulator in an ambient temperature of 25 °C (still air). These temperature rise numbers are all approximate and there are many factors that can affect these temperatures. Higher ambient temperatures require more heat sinking.

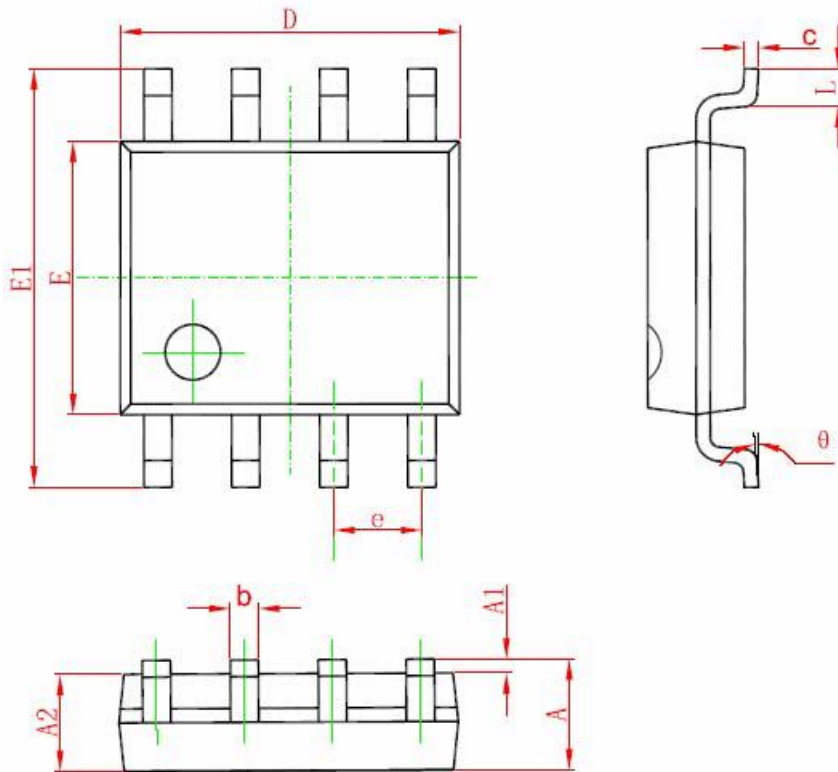
For the best thermal performance, wide copper traces and generous amounts of printed circuit board copper should be used in the board layout. (Once exception to this is the output (switch) pin, which should not have large areas of copper.) Large areas of copper provide the best transfer of heat (lower thermal resistance) to the surrounding air, and moving air lowers the thermal resistance even further.

Package thermal resistance and junction temperature rise numbers are all approximate, and there are many factors that will affect these numbers. Some of these factors include board size, shape, thickness, position, location, and even board temperature. Other factors are, trace width, total printed circuit copper area, copper thickness, single or double-sided, multi-layer board and the amount of solder on the board.

The effectiveness of the PC board to dissipate heat also depends on the size, quantity and spacing of other components on the board, as well as whether the surrounding air is still or moving. Furthermore, some of these components such as the catch diode will add heat to the PC board and the heat can vary as the input voltage changes. For the inductor, depending on the physical size, type of core material and the DC resistance, it could either act as a heat sink taking heat away from the board, or it could add heat to the board.

3A 380KHZ 28V PWM Buck DC/DC Converter

OUTLINE DRAWING FOR SOP8



Symbol	Dimensions In Millimeters		Dimensions In Inches	
	Min	Max	Min	Max
A	1.350	1.750	0.053	0.069
A1	0.100	0.250	0.004	0.010
A2	1.350	1.550	0.053	0.061
b	0.330	0.510	0.013	0.020
c	0.170	0.250	0.006	0.010
D	4.700	5.100	0.185	0.200
E	3.800	4.000	0.150	0.157
E1	5.800	6.200	0.228	0.244
e	1.270 (BSC)		0.050 (BSC)	
L	0.400	1.270	0.016	0.050
θ	0°	8°	0°	8°