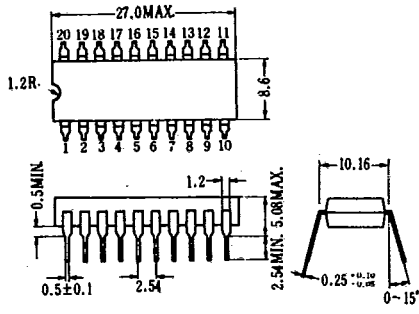
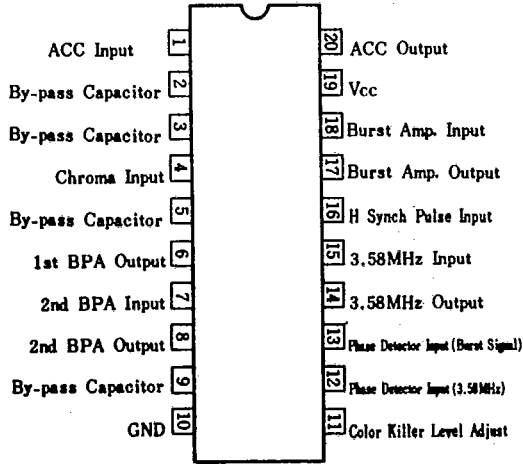


ECG1089

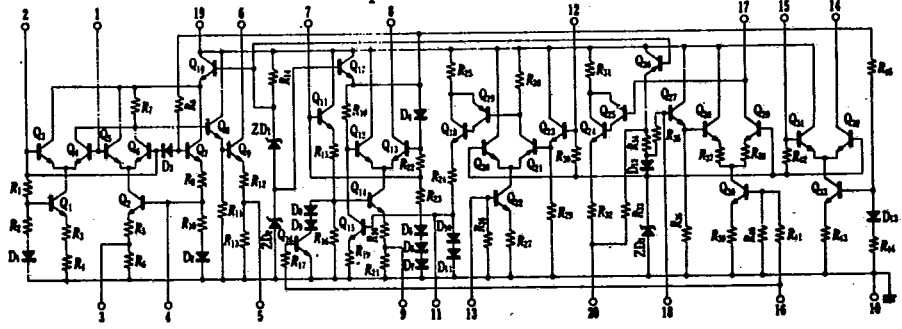
TV COLOR PROCESSOR

Pin Connection(Top View)

(Dimensions in mm)



Equivalent Circuit



www.DataSheet4U.com

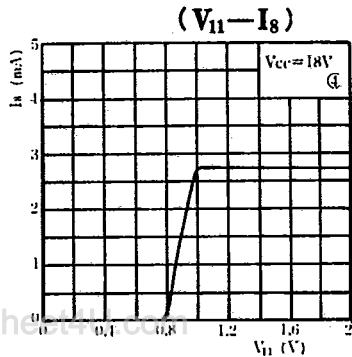
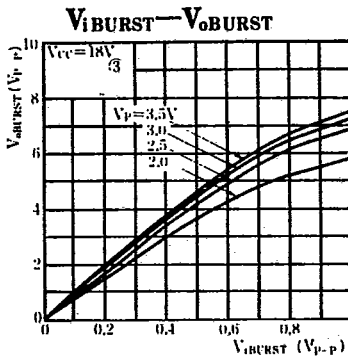
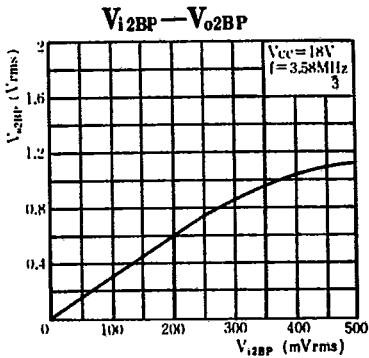
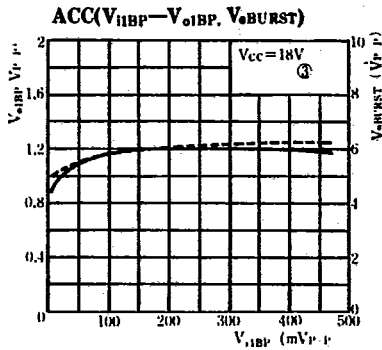
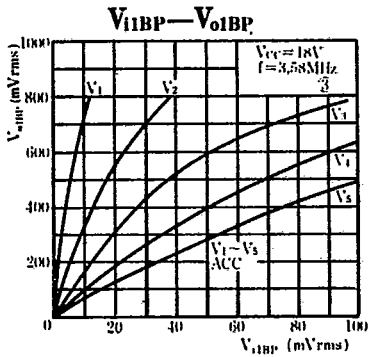
Electrical Characteristics (T_a=25±3°C, V_{CC}=18V)

Symbol	Circuit	Test Condition	MIN.	TYP.	MAX.	Unit
I _{CC1}	①		14	19	25	mA
I _{CC2}	①	V _i =200mV _{P-P} , 3V _{P-P}	15.5	20.5	26.5	mA
A _{v1}	②	f=3.58MHz, V _i =2mV _{rms} , R _L =500Ω	45	50	54	dB
A _{v2}	②	f=3.58MHz, V _i =40mV _{rms} , R _L =1kΩ	17	22	27	dB
A _{v3}	②	f=3.58MHz, V _i =40mV _{rms} , R _L =1kΩ,	18	23	27	dB
A _{v4}	②	f=3.58MHz, V _i =40mV _{rms} , R _L =1kΩ	17	22	27	dB
I ₆	①		2.5	4.0	5.5	mA
I ₈	①		2.0	3.2	4.5	mA
I ₁₄	①		0.5	1.2	2.0	mA
I ₁₇	①	16, 3V _{P-P}	4.0	6.5	9.0	mA
	③	ACC, V _i 200mV _{P-P} , V _o 1.2V _{P-P} , ACC V _o 1.2V _{P-P} →0.84V _{P-P} , OdB: V _i = 400mV _{P-P}	20	26		dB

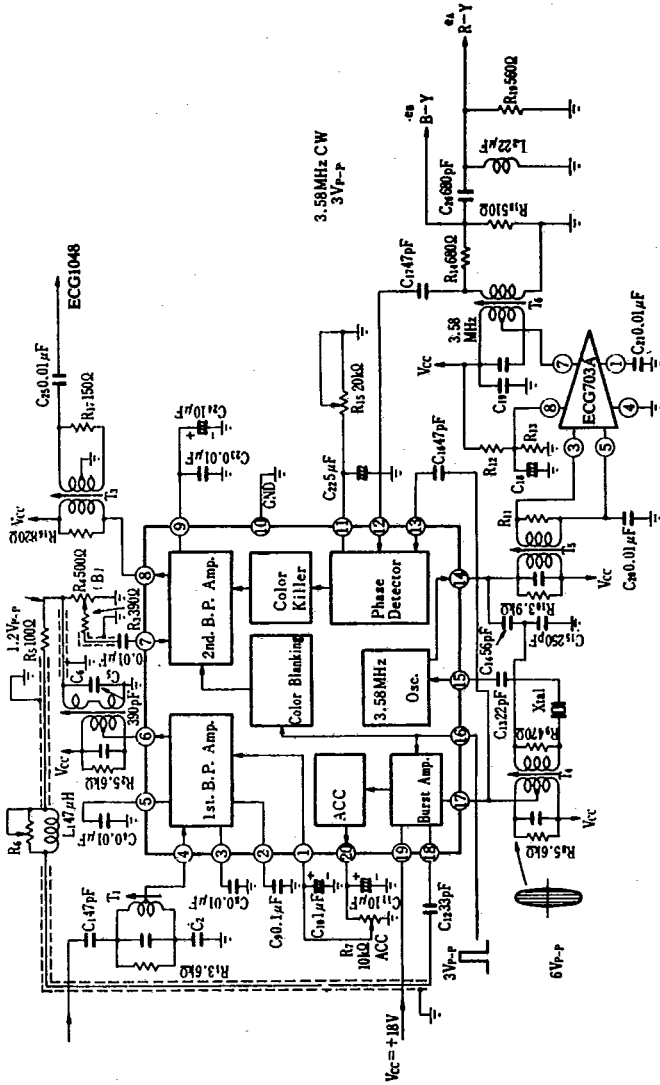
Absolute Maximum Ratings (T_a=25±3°C)

Symbol	Rating	Unit
V _{CC}	22	V
I _{CC}	27	mA
V _{1BP}	5	V _{P-P}
V _{2BP}	5	V _{P-P}
V _{1BURST}	5	V _{P-P}
V _{1BLANK}	4	V _{P-P}
V _{1OSC}	5	V _{P-P}
P _D (T _a =70°C)	500	mW
T _{opt}	-20~+75	°C
T _{stg}	-40~+125	°C

($T_a = 25^\circ\text{C}$)



Application



www.DataSheet4U.com