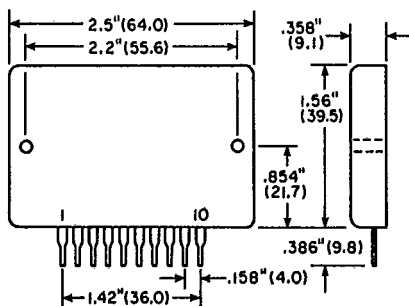


Features

- Thick film hybrid module
- Darlington power pack
- Dual power supply
- Output stage for AF high power amp



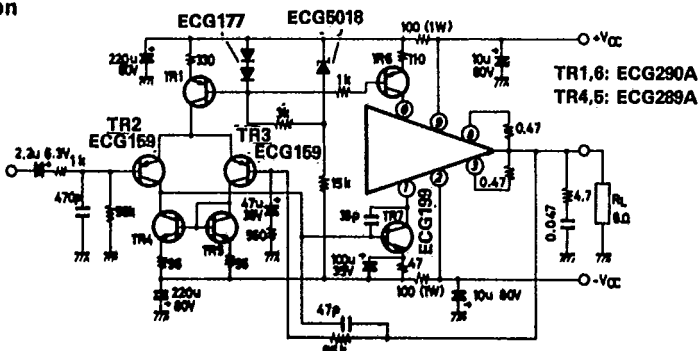
Absolute Maximum Ratings

Characteristic	Symbol	Rating	Unit
Supply Voltage	V_{cc}	± 65	V
Collector Current	I_c	10	A
Junction Temperature	T_j	150	$^{\circ}C$
Storage Temperature	T_{stg}	-30 to +105	$^{\circ}C$
Thermal Resistance	θ_{j-c}	1.3	$^{\circ}C/W$

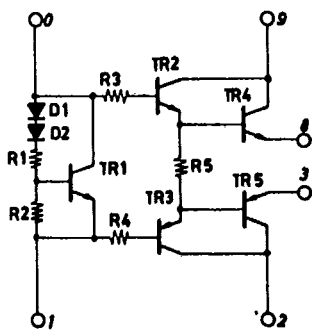
Operational Characteristics ($T_A = 25^{\circ}C$, $V_{cc} = \pm 46 V$, $R_L = 8 \Omega$, $R_G = 600 \Omega$, $V_G = 40 dB$)

Characteristic	Symbol	Test Condition	Min	Typ	Max	Unit
Quiescent Current	I_{cco}	$V_{cc} = \pm 55 V$		40	80	mA
Output Power	P_O	THD = 0.1% $f = 20$ to 20 kHz	80			W
Total Harmonic Distortion	THD-1 THD-2	$P_O = 1$ to $80 W$ $f = 20$ to 20 kHz $P_O = 1 W$, $f = 1$ kHz		0.02	0.1	%

Application



Equivalent Circuit



Typical Characteristics

