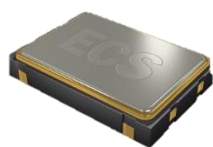


ECS-5718 (1.8V) and ECS-5725 (2.5V) miniature SMD oscillators. Ideal for today's high density applications.

Request a Sample

OPERATING CONDITIONS / ELECTRICAL CHARACTERISTICS

ECS-5718/5725



- Low Voltage HCMOS
- 7 x 5 mm Footprint
- Low Current Consumption
- PbFree/RoHS Compliant

Parameters	Conditions	ECS-5718 (+1.8V)			ECS-5725 (+2.5V)			Units
		MIN	TYP	MAX	MIN	TYP	MAX	
Frequency Range		1.000		125.0	1.000		125.0	MHz
Operating Temperature	Standard	0		+70	0		+70	°C
	Extended (N Option)	-40		+85	-40		+85	°C
Storage Temperature		-55		+125	-55		+125	°C
Supply Voltage	VDD	+1.62	+1.8	+1.98	+2.25	+2.5	+2.75	VDC
Frequency Stability*	Option A			±100			±100	PPM
	Option B			±50			±50	PPM
	Option C			±25			±25	PPM
Input Current	1.000 ~ 23.999 MHz			10			12	mA
	24.000 ~ 49.999 MHz			12			15	mA
	50.000 ~ 69.999 MHz			15			20	mA
	70.000 ~ 125.000 MHz			25			30	mA
Output Symmetry	@50% VDD Level			40/60			40/60	%
	@50% VDD Level (T Option)			45/55			45/55	%
Rise and Fall Times	10% VDD to 90% Level			5			6	ns
"0" Level	VOL			10% VDD			10% VDD	VDC
"1" Level	VOH	90% VDD			90% VDD			VDC
Output Load	HCMOS			30			30	pF
Disable Delay Time				150			150	ns
Startup/Enable Time				10			10	ms
Aging				±5			±5	PPM

* Note: Inclusive of 25°C tolerance, operating temperature, input voltage change, load change, shock and vibration.

Part Numbering Guide: Example ECS-5725-200-BN-TR

ECS - Series - Frequency Abbreviations - Stability Tolerance - Temperature - Symmetry - Packaging

ECS

5718 +1.8V
5725 +2.5V

200 = 20 MHz

A = ±100 ppm
B = ±50 ppm
C = ±25 ppm

Blank = 0 ~ 70°C
M = -20 ~ +70°C
N = -40 ~ +85°C

Blank = 40/60 STD
T = 45/55

TR = Tape & Reel
1K/Reel

Package Dimensions (mm)

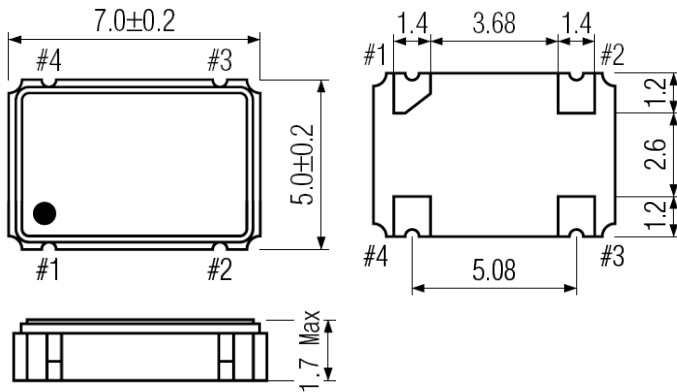


Figure 1) Top, Side, and Bottom views

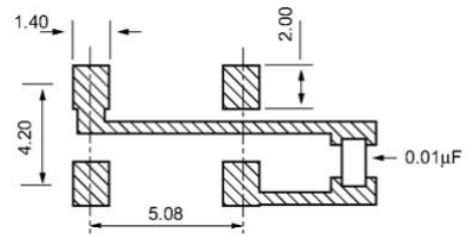


Figure 2) Land Pattern

Pin Connections	
#1	Tri-State
#2	Ground
#3	Output
#4	VDD

Tri-State Control Voltage	
Pad 1	Pad 3
Open	Oscillation
1 Level	Oscillation
0 Level	No Oscillation