

Type: EEH3425/MS

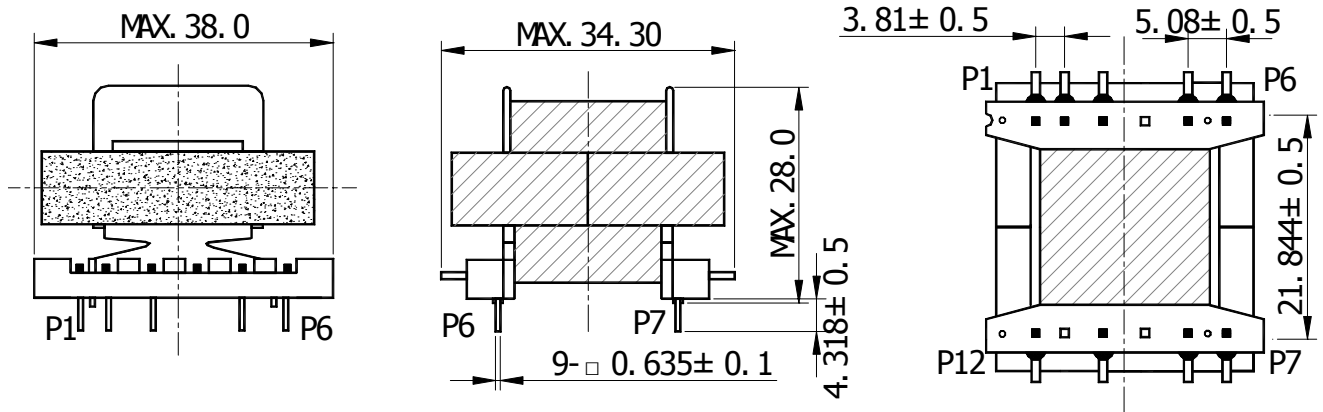
Product Description

- 38.0 × 34.3 mm Max.(L × W), 28.0mm Max. Height.
- In addition to the typical versions of parameters shown here, custom designs are available to meet your exact requirements

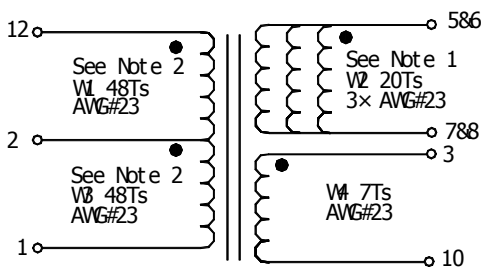
Feature

- Max. Operating frequency 500kHz. Max Operating Power 40.0W(500kHz)
- Ideally used in switching power supply etc.
- RoHS Compliance

Dimensions (mm)



Schematics (Bottom)



Specification

Sample No.	Inductance (1-12) 100kHz/1V	Leakage Inductance (1-12) 100kHz/1V	Hi-pot winding-winding/winding-core (50/60Hz, 0.5mA)
U01-048	30mH ± 25%	250mΩ Max.	AC 1500Vrms/3sec.