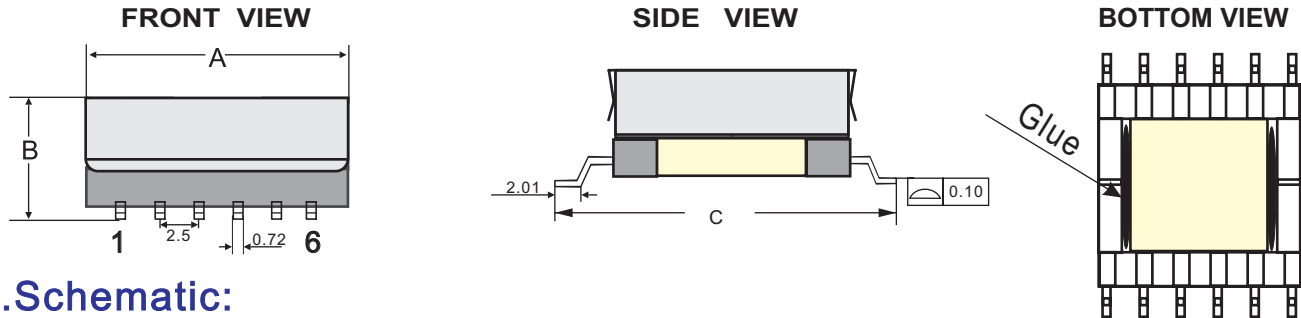
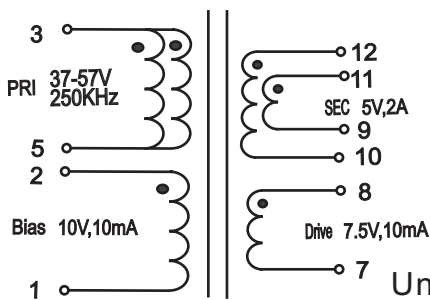


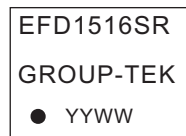
1. Mechanical Dimensions:



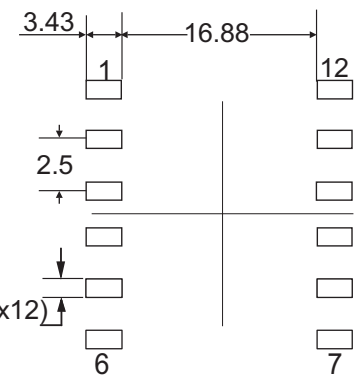
2. Schematic:



Marking information



PCB PAD LAYOUT (TOP)



Unit: mm

A MAX	B ±0.5	C MAX
17.2	8.51	22.0

3. Electrical Characteristics :

Specifications: at 25 degree C. Operating Temperature -40 to +85°C

NO.	ITEM	TEST CONDITION	SPECIFICATION
1	Inductance	(3--5)@100kHz, 0.1V	150uH±10%
2	Inductance	(3--5)@100kHz, 0.1V	135uH Min 1.2A
3	HI-POT	PRI TO SEC	1500Vac 1mA 2Sec.
4		All Windings TO CORE	500Vac 1mA 2Sec.
5	Leakage Inductance	(3--5) @100kHz,0.1Vac shorted other pins	2.0uH Max.
6	DCR	(3-5) @ 25°C	0.52Ω Max
7		(2-1) @ 25°C	0.77Ω Max
8		(8-7) @ 25°C	0.53Ω Max
9		(12,11-10,9) @ 25°C	0.03Ω Max
10	TURN RATIO	(3-5):(2-1)	2.25:1±2%
11		(3-5):(8-7)	3.2:1±2%
12		(3-5):(12,11-10,9)	5:1±2%