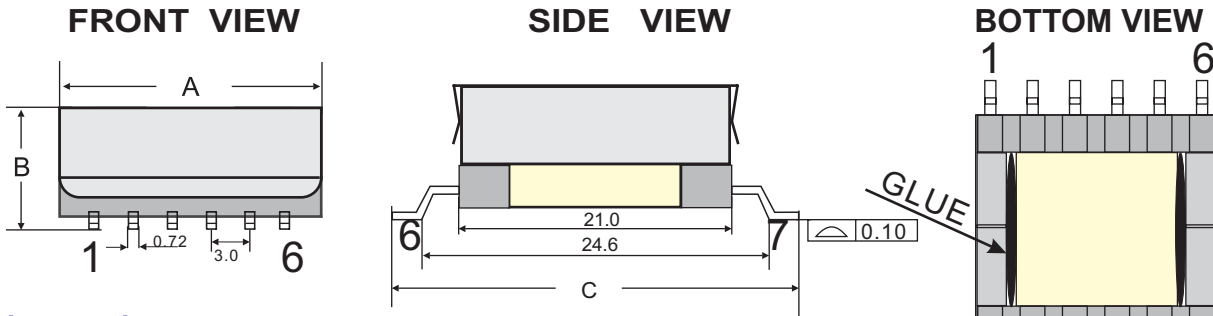
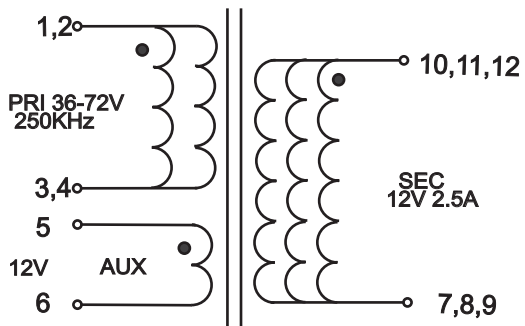


1. Mechanical Dimensions:



2. Schematic:

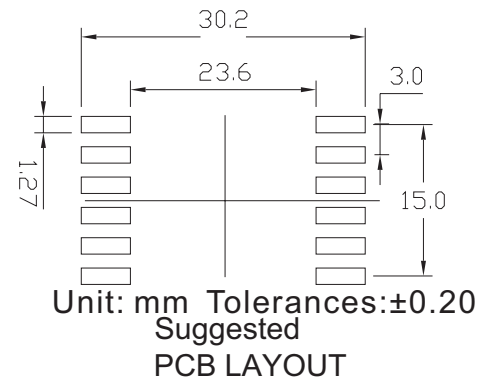


Printing Information



Unit: mm

A MAX	B MAX	C MAX
22.0	11.93	30.0



3. Electrical Characteristics :

Specifications: at 25 degree C. Operating Temperature -40 to +85°C

NO.	ITEM	TEST CONDITION	SPECIFICATION
1	Inductance	(1,2-3,4)@100kHz, 0.25V	42uH+/-10%
2	DCR	(1,2-3,4) @ 25°C	0.100Ω Max
3		(5-6) @ 25°C	0.090 Ω Max
4		(10,11,12-7,8,9) @ 25°C	0.020 Ω Max
5	HI-POT	PRI TO SEC	1500Vac 1mA 2Sec.
6	HI-POT	PRI, SEC TO CORE	1000Vac 1mA 2Sec.
7	Leakage Inductance	(1,2-3,4) @100kHz,0.25Vac TIED (6,7,8)	0.6uH Max.
8	TURN RATIO	PRI : SEC	1:0.33
9	TURN RATIO	PRI : AUX	1:0.33