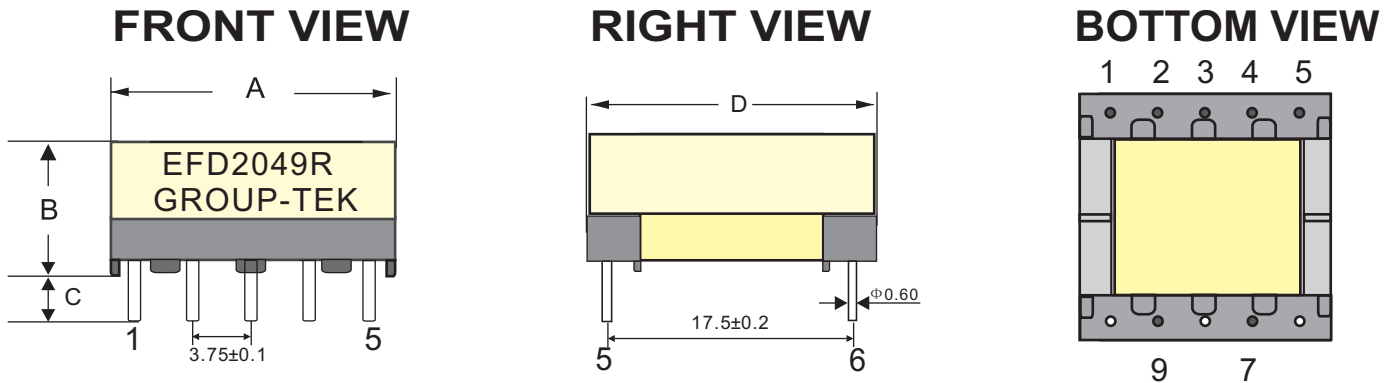
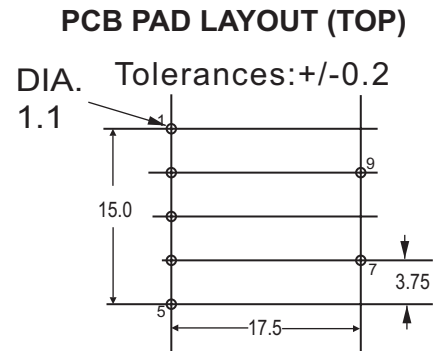
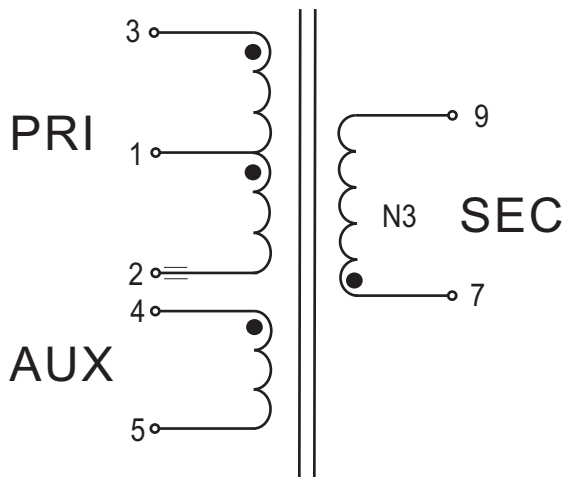


### 2. Mechanical Dimensions:



### 5.Schematic:



Unit: mm

A MAX	B MAX	C ±0.5	D MAX
23.0	11.7	4.0	23.0

### 3.Electrical Characteristics :

Specifications: at 25°C . Operating Temperature -40 to +85°C

NO.	ITEM	TEST CONDITION	SPECIFICATION
1	Inductance	(3-2)@40kHz, 0.3Vac	85uH±5%
2	Leakage Inductance	(3-2)@40kHz, 0.3Vac shorted pins.	1.0uH Max.
3	DCR	(3-2) @ 25°C	150 mΩ Max
4	DCR	(4-5) @ 25°C	250 mΩ Max
5	DCR	(7-9) @ 25°C	35 mΩ Max
6	HI-POT	(PRI AUX -SEC)	1500Vac,5mA,5SEC
7	HI-POT	(PRI AUX SEC-CORE)	1000Vac,5mA,5SEC