

## EFD25 SERIES POWER TRANSFORMER MODULES

### PRODUCT OVERVIEW:THT POWER TRANSFORMERS

#### Characteristics

Through-hole  
Core Direction:horizontal  
Functional Insulation

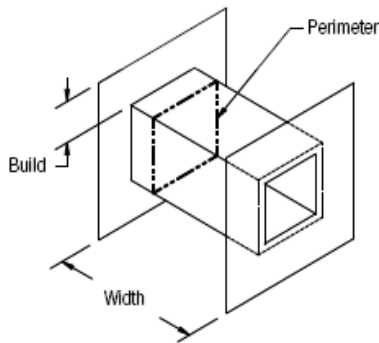
#### Applications

Lighting  
metering  
industrial Controls  
White Goods  
Telecom  
DC/DC Converter



#### Bobbin Winding Area

Width (mm)	Build (mm)	Perimeter (mm)
16.35	2.25	10.75



#### CORE DATA

Ae (mm <sup>2</sup> )	Ve (mm <sup>3</sup> )	Le (mm)
58	3306	57

#### POWER LEVEL (W)

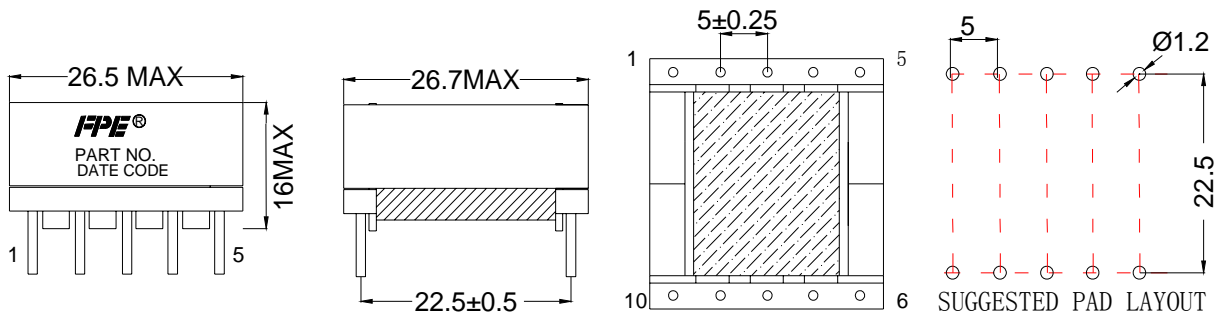
Flyback	Forward	Push-pull
26	39	78

Test frequency:100KHz

#### THT Horizontal

Dimensions & Footprint

TYPE1



TYPE2

