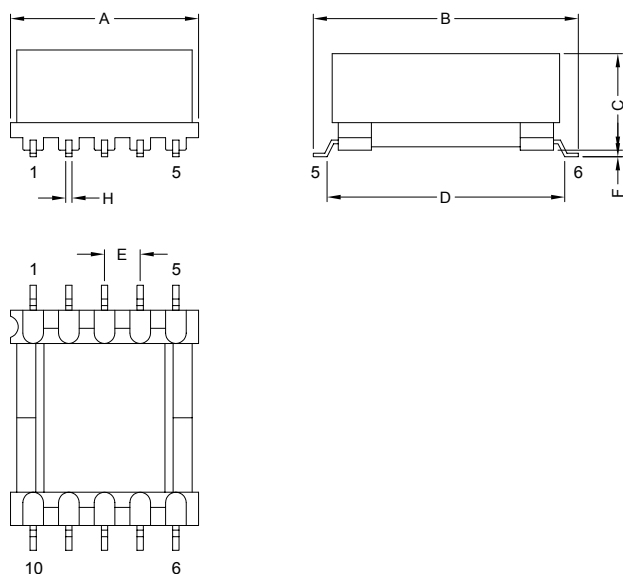


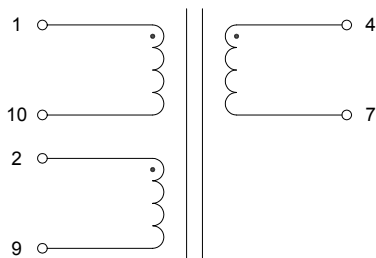
1. CONFIGURATION & DIMENSIONS :



Unit:m/m

A	B	C	D	E	F	H
21.70 Max.	26.30 Max.	10.29 Max.	23.10±0.20	3.76±0.20	0.10 Ref.	1.00x0.40

2. SCHEMATIC :



3. SCHEMATIC :

- a) Bobbin : Phenolic
- b) Core : EFD20
- c) Wire : Polyurethane DD (1UEW)
- d) Tape : Polyester Film
- e) Varnish : Synthite AC-43



RoHS Compliant

NOTE : Specifications subject to change without notice. Please check our website for latest information.

23.06.2008



SUPERWORLD ELECTRONICS (S) PTE LTD

PG. 1

4. GENERAL SPECIFICATION :

- a) Operating Temperature Range : -25°C to +105°C
b) Insulation Class : B (130°C)

5. ELECTRICAL CHARACTERISTICS :

Part No.	Inductance (L)	Conditions	Test Frequency	DCR @ 25°C
EFDC0HSF-50418	L : (1-10) = 50uH±10%	-	100KHz 0.1V	(1-10) = 0.053Ω Max.
				(2-9) = 0.500Ω Max.
				(4-7) = 0.006Ω Max.

**RoHS Compliant**

NOTE : Specifications subject to change without notice. Please check our website for latest information.

23.06.2008

**SUPERWORLD ELECTRONICS (S) PTE LTD**

PG. 2