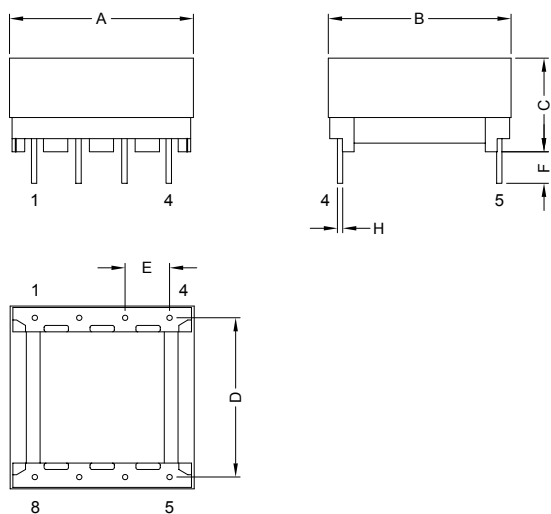


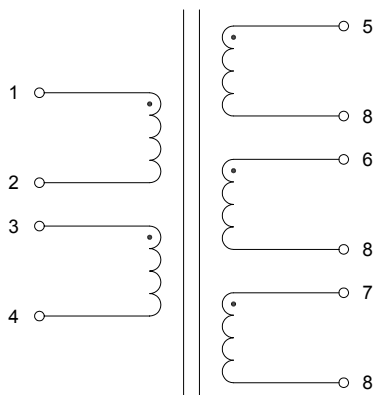
1. CONFIGURATION & DIMENSIONS :



Unit:m/m

A	B	C	D	E	F	H
21.00 Max.	21.00 Max.	11.00 Max.	17.50±0.50	5.00±0.50	3.50±0.50	Ø0.60 Ref.

2. SCHEMATIC :



3. SCHEMATIC :

- a) Bobbin : Phenolic
- b) Core : EFD20
- c) Wire : Polyurethane DD
- d) Tape : Polyester Film
- e) Varnish : Synthite AC-43
- f) Tube : Teflon Tube



RoHS Compliant

NOTE : Specifications subject to change without notice. Please check our website for latest information.

23.06.2008



SUPERWORLD ELECTRONICS (S) PTE LTD

PG. 1

4. GENERAL SPECIFICATION :

- a) Operating Temperature Range : -25°C to +105°C
 b) Insulation Class : B (130°C)

5. ELECTRICAL CHARACTERISTICS :

Part No.	Inductance (L)	Conditions	Test Frequency	DCR @ 25°C
EFDC0HTF-50734	L : (1-2) = 5080uH±10%	-	10KHz 50mV	(1-2) = 3Ω Max.
				(3-4) = 192mΩ Max.
				(5-8) = 50mΩ Max.
				(6-8) = 28mΩ Max.
				(7-8) = 14mΩ Max.

**RoHS Compliant**

NOTE : Specifications subject to change without notice. Please check our website for latest information.

23.06.2008

**SUPERWORLD ELECTRONICS (S) PTE LTD**

PG. 2