



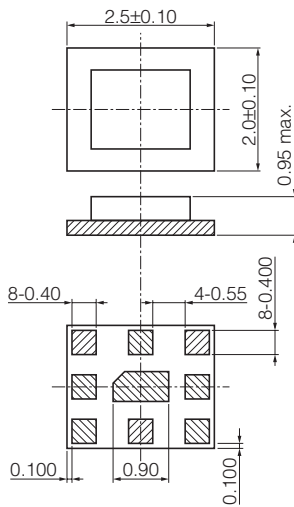
### ■ Ratings and Characteristics

Part No.	System	Nominal Center Frequency	Input/Output Impedance	Size	Package
EFSD836MJ1□□ EFSD836MJ2□□	CDMA UMTS Band V	836.5/881.5 MHz	UB-UB(50 Ω-50 Ω)	2.5×2.0 mm	J
EFSD1950J1□□ EFSD1950J2□□	UMTS Band I	1950/2140 MHz	UB-UB(50 Ω-50 Ω)	2.5×2.0 mm	J
EFSD897MK1□□ EFSD897MK2□□	UMTS Band VIII	897.5/942.5 MHz	UB-UB(50 Ω-50 Ω)	2.5×2.0 mm	K

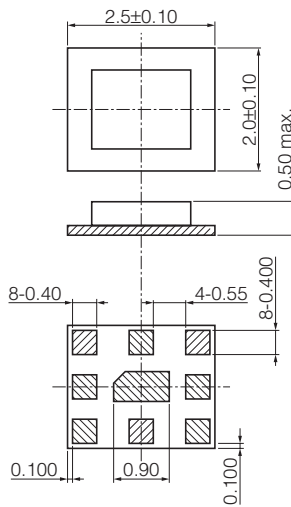
\* UB : Unbalance, B : Balance

### ■ Dimensions in mm (not to scale)

J type



K type

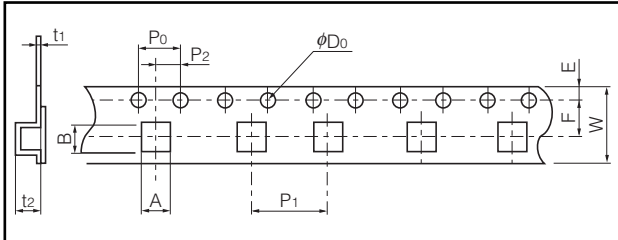


### ■ Packaging Methods (Taping)

#### ● Minimum Quantity / Packing Unit

Part Number	Packaging Style	Quantity	Packaging Quantity in Carton	Carton Dimensions in mm (L×W×H)
EFSD□□□□J□□□	Embossed Carrier Taping	2000 pcs./reel	10000 pcs.	230×220×73
EFSD□□□□K□□□	Embossed Carrier Taping	2000 pcs./reel	10000 pcs.	230×220×73

#### ● Embossed Carrier Taping



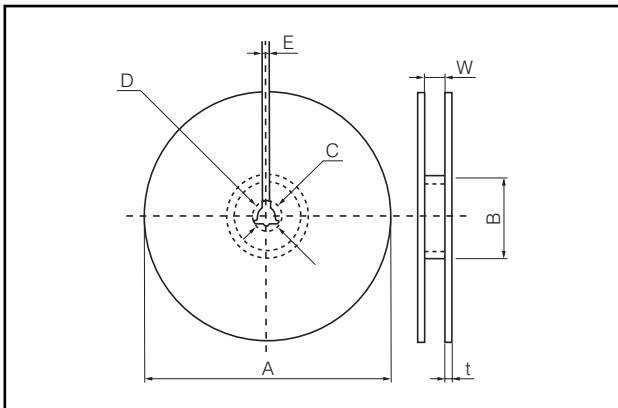
#### J type

Symbol	W	F	E	$P_0$	$P_1$	$P_2$	$D_0$	$t_1$	$t_2$	A	B
Dim. (mm)	8.0±0.2	3.50±0.05	1.75±0.10	4.0±0.1	4.0±0.1	2.00±0.05	$\phi 1.50^{+0.1}_{-0.1}$	0.25±0.05	1.10±0.10	2.3±0.1	2.8±0.1

#### K type

Symbol	W	F	E	$P_0$	$P_1$	$P_2$	$D_0$	$t_1$	$t_2$	A	B
Dim. (mm)	8.0±0.2	3.50±0.05	1.75±0.10	4.0±0.1	4.0±0.1	2.00±0.05	$\phi 1.50^{+0.1}_{-0.1}$	0.25±0.05	0.70±0.10	2.3±0.1	2.8±0.1

#### ● Taping Reel



#### J, K type

Symbol	A	B	C	D	E	W	t
Dim. (mm)	$\phi 178 \pm 3$	$\phi 60.0 \pm 1.0$	$\phi 13.0 \pm 0.5$	$\phi 21.0 \pm 1.0$	2.0±0.5	9.0±1.0	max. 3