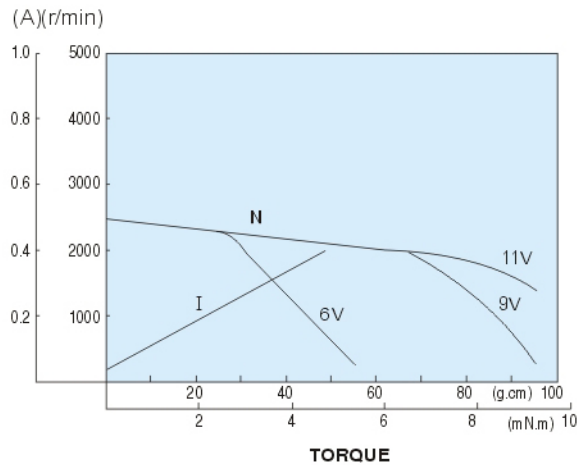
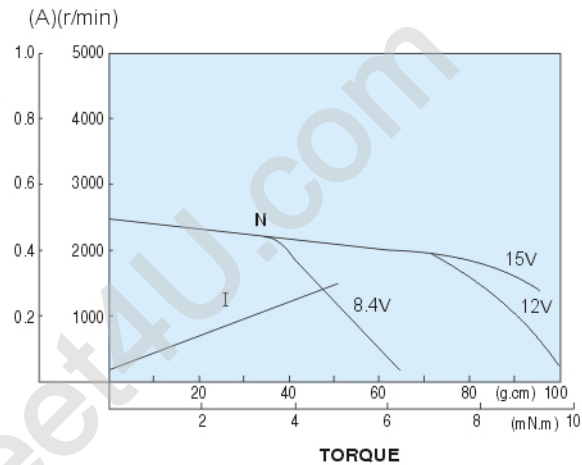


**EG-530AD-9F(9B)**

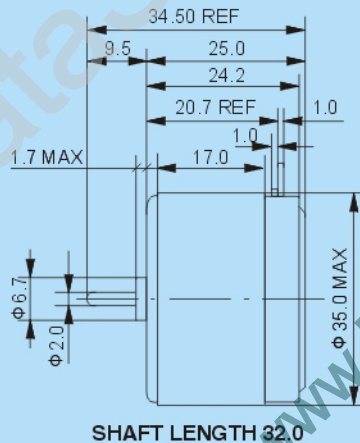
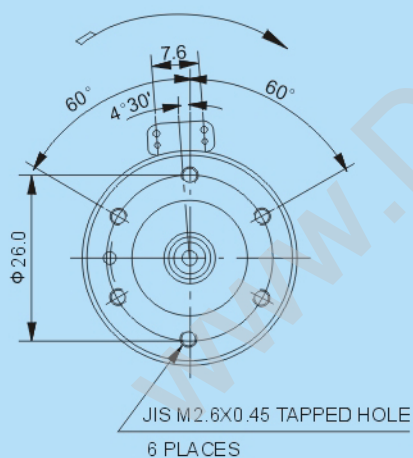
6.0V/9.0V/11.0V

**EG-530AD-2F(2B)**

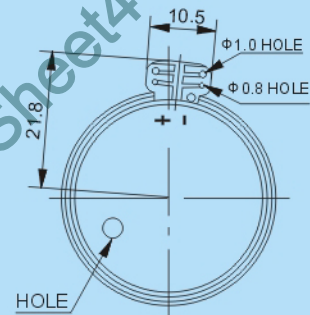
8.4V/12.0V/15.0V



DIRECTION OF ROTATION



UNIT: MILLIMETERS

**WEIGHT: 70g(APPROX)**