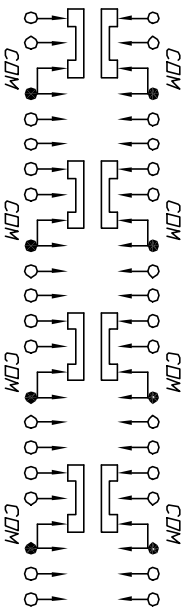
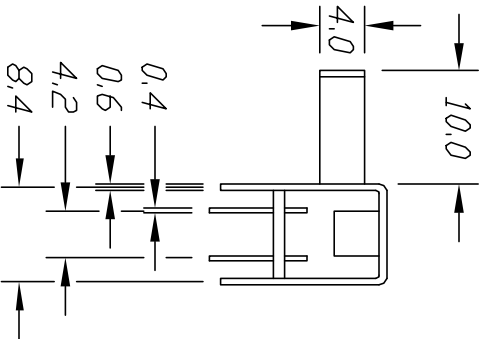
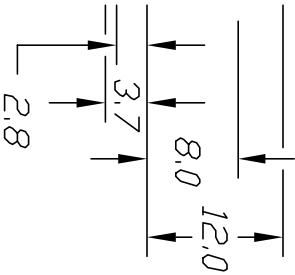
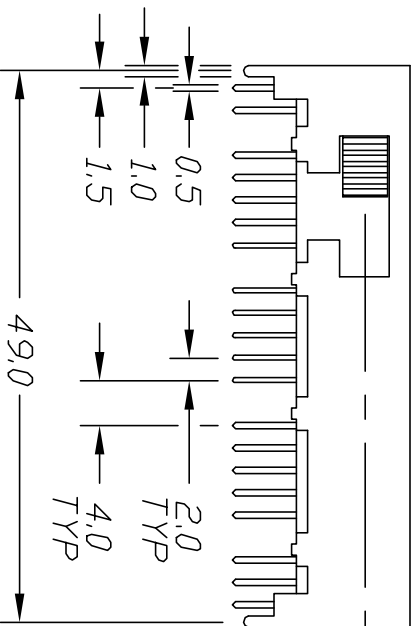


P.C.B. MOUNTING HOLES



CONTACT CONFIGURATION

NOTES:

1. ALL DIMENSIONS IN MM
2. TERM. NDS, FOR REF ONLY

E-SWITCH

EG 8402

REV.	DESCRIPTION	DATE	CHKD

TOLERANCES	
0	±0.3
0.05	±0.3
0.00	±0.3

SCALE	DATE	DR	DWG
1.5:1	7/28/94	MS	P184020