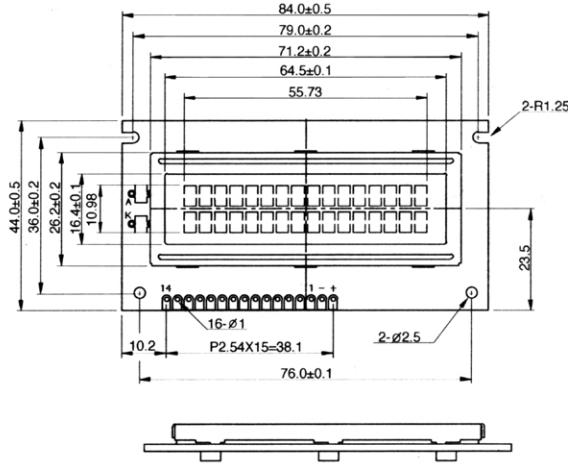


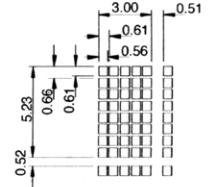
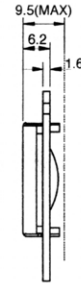
EL 1602B

Preferred type

LED BKL



EL BKL/or without BKL

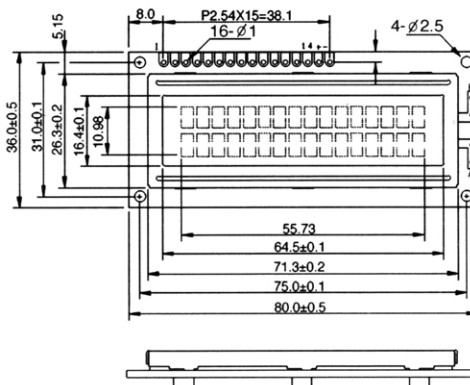
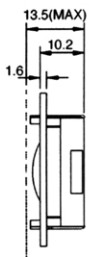


PERFORMANCE FEATURES	
LC FLUID: TN, STN	
POLARIZER:	REFLECTIVE, TRANSLECTIVE, TRANSMISSIVE
COLOR: GRAY, YELLOW, BLUE	
BACKLIGHT: LED (YELLOW-GREEN)	
TEMPERATURE RANGE: STANDARD, WIDE	
CONTROLLER: KS0066	

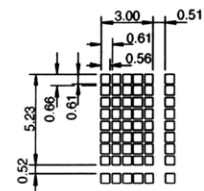
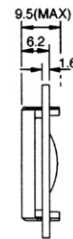
PIN	SIGNAL	PIN	SIGNAL
1	VSS	9	DB2
2	VDD	10	DB3
3	V0	11	DB4
4	RS	12	DB5
5	R/W	13	DB6
6	E	14	DB7
7	DB0	A	LED+
8	DB1	B	LED-

EL 1602K

LED BKL



EL BKL/or without BKL



PERFORMANCE FEATURES	
LC FLUID: TN, STN	
POLARIZER:	REFLECTIVE, TRANSLECTIVE, TRANSMISSIVE
COLOR: GRAY, YELLOW, BLUE	
BACKLIGHT: LED (YELLOW-GREEN)	
TEMPERATURE RANGE: STANDARD, WIDE	

PIN	SIGNAL	PIN	SIGNAL
1	VSS	9	DB2
2	VDD	10	DB3
3	V0	11	DB4
4	RS	12	DB5
5	R/W	13	DB6
6	E	14	DB7
7	DB0	A	LED+
8	DB1	B	LED-