



# EVERLIGHT ELECTRONICS CO.,LTD.

Device Number : DDF-401-045 REV: 1.0

## 0.4" Quadruple Digit Displays

MODEL NO : ELF-401EWA ECN :            Page: 1/5

### ■ Features :

- Industrial standard size.
- Low power consumption.
- Categorized for luminous intensity.

### ■ Applications:

- Audio equipment
- Instrument panels
- Digital read out display

### ■ Descriptions :

- The ELF-401 series is a large 10.16mm (0.4")high seven segment display design for viewing distances up to 7 meters.
- These displays provide excellent reliability in bright ambient light.
- These device is made with white segments and gray surface.

PART NO	CHIP		C.C. or C.A.
	Material	Emitted Color	
ELF-401EWA	GaAsP/GaP	Orange	C.C.

OFFICE : NO. 25,Lane 76,Sec.3, Chung Yang Rd., Tucheng 236, Taipei, Taiwan, R.O.C.

TEL : 886-2-2267-2000,2267-9936

FAX : 886-2-2267-6244,22676189,22676306

<http://www.everlight.com>

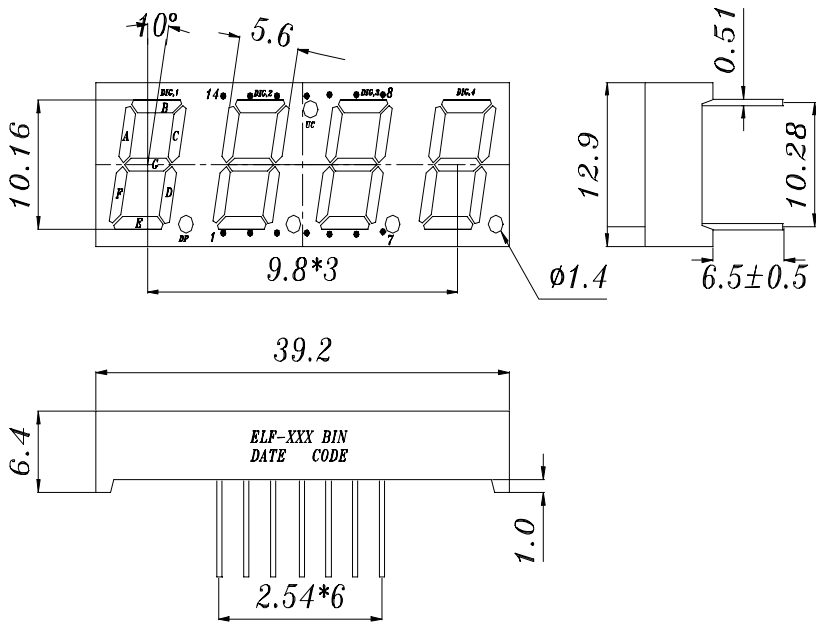
## 0.4" Quadruple Digit Displays

MODEL NO : ELF-401EWA

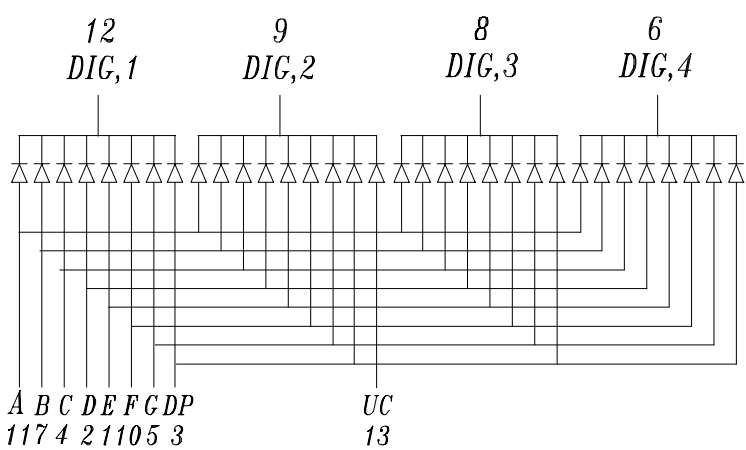
ECN : \_\_\_\_\_

Page: 2/5

■ Package Dimensions:



- COMMON CATHODE*
- 1 ANODE E
  - 2 ANODE D
  - 3 ANODE DP1, DP2, DP3, DP4,
  - 4 ANODE C
  - 5 ANODE G
  - 6 COMMON CATHODE DIG,4
  - 7 ANODE B
  - 8 COMMON CATHODE DIG,3
  - 9 COMMON CATHODE DIG,2,UC
  - 10 ANODE F
  - 11 ANODE A
  - 12 COMMON CATHODE DIG,1
  - 13 ANODE UC
  - 14 NO CONNECT



■ NOTES:

- 1.All dimensions are in millimeters , tolerance is 0.25mm unless otherwise noted.
- 2.Above specification may be changed without notice.  
Supplier will reserve authority on material change for above specification.



Device Number : DDF-401-045 REV: 1.0

## 0.4" Quadruple Digit Displays

MODEL NO : ELF-401EWA ECN : \_\_\_\_\_ Page: 3/5

### ■ Absolute maximum ratings at Ta = 25°C :

Parameter	Symbol	Rating	Unit
Reverse Voltage	Vr	5	V
Forward Current	If	30	mA
Operating Temperature	Topr	-40 to +85	°C
Storage Temperature	Tstg	-40 to +100	°C
Soldering Temperature	Tsol	260 ± 5	°C
Power Dissipation	Pd	100	mW
Peak Forward Current(Duty 1/10 @ 1KHZ)	If(Peak)	160	mA

### ■ Electronic optical characteristics :

Parameter		Symbol	MIN.	TYP.	MAX.	Unit	Condition
Luminous Intensity	Per segment	Iv	0.45	1.2	----	mcd	If=10mA
	Per decimal point		0.15	0.40	----	mcd	If=10mA
Peak Wavelength		λ p	----	635	----	nm	If=20mA
Dominant Wavelength		λ d	----	625	----	nm	If=20mA
Spectrum Radiation Bandwidth		△ λ	----	45	----	nm	If=20mA
Forward Voltage		Vf	1.7	2.0	2.4	V	If=20mA
Reverse Current		Ir	----	----	10	μ A	Vr=5V



# EVERLIGHT ELECTRONICS CO.,LTD.

Device Number : DDF-401-045 REV: 1.0

0.4" Quadruple Digit Displays

MODEL NO : ELF-401EWA ECN : \_\_\_\_\_ Page: 4/5

■ Reliability test item and condition:

NO	Item	Test Conditions	Test Hours/Cycle	Sample Size	Ac/Re
1	Solder Heat	TEMP : 260°C ± 5 °C	5 SEC	76 PCS	0/1
2	Temperature Cycle	H : +85°C 30min ∫ 5 min L : -55°C 30min	50 CYCLE	76 PCS	0/1
3	Thermal Shock	H : +100°C 5min ∫ 10 sec L : -10°C 5min	50 CYCLE	76 PCS	0/1
4	High Temperature Storage	TEMP : 100°C	1000 HRS	76 PCS	0/1
5	Low Temperature Storage	TEMP : -55°C	1000 HRS	76 PCS	0/1
6	DC Operating Life	If = 10 mA	1000 HRS	76 PCS	0/1
7	High Temperature / High Humidity	85°C/85% RH	1000 HRS	76 PCS	0/1

--	--	--	--	--	--

