

Features

- 400 mA pulsed output current
- DC to 30 MHz bandwidth
- 200 V/ μ s slew rate
- Low harmonic distortion
- High input impedance—400 k Ω
- Low output impedance—6 Ω
- High power efficiency
- Operation from $\pm 5V$ to $\pm 20V$
- Output voltage swing approaches supply voltage
- MIL-STD-883 devices manufactured in U.S.A.

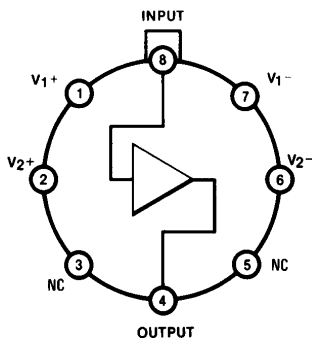
Applications

- Line driver
- 30 MHz buffer
- High-speed D/A conversion
- Instrumentation buffer
- Precision current source

Ordering Information

Part No.	Temp. Range	Pkg.	Outline#
ELH0002H/883B	-55°C to +125°C	TO-5	MDP0001

7801301XX is the DESC version of this device.



Top View

Case is electrically isolated.

0002-1

General Description

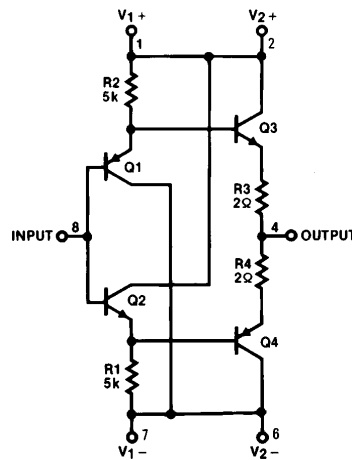
The ELH0002 is a general purpose hybrid current amplifier buffer that is built on a single substrate.

The ELH0002 is ideal for current buffering operational amplifiers without changing the characteristics of the Op. Amp. The ELH0002 uses a completely symmetrical circuit to provide a low output impedance when both sourcing and sinking current. This means the output will drive coaxial cables and other capacitive loads with equivalent rise and fall times.

The ELH0002 is specified for operation over the -55°C to +125°C military temperature range.

Elantec facilities comply with MIL-I-45208A and are MIL-STD-1772 certified. Elantec's Military devices comply with MIL-STD-883B Revision C and are manufactured in our rigidly controlled, ultra-clean facilities in Milpitas, California. For additional information on Elantec's Quality and Reliability Assurance Policy and procedures request brochure QRA-1.

Equivalent Schematic



0002-2

Note: All information contained in this data sheet has been carefully checked and is believed to be accurate as of the date of publication; however, this data sheet cannot be a "controlled document". Current revisions, if any, to these specifications are maintained at the factory and are available upon your request. We recommend checking the revision level before finalization of your design documentation. Patent pending. CMS # 0002DS

ELH0002H/883/7801301XX

Current Amplifier

Absolute Maximum Ratings ($T_A = 25^\circ\text{C}$)

V_S	Supply Voltage	$\pm 22\text{V}$	T_A	Operating Temperature Range	
V_{IN}	Input Voltage	$\pm 22\text{V}$		ELH0002	-55°C to $+125^\circ\text{C}$
P_D	Power Dissipation Ambient	600 mW		Steady State Current	$\pm 100\text{ mA}$
T_{ST}	Storage Temperature	-65°C to $+150^\circ\text{C}$		Pulsed Output Current (50 ms On/1 second Off)	$\pm 400\text{ mA}$

Important Note:

All parameters having Min/Max specifications are guaranteed. The Test Level column indicates the specific device testing actually performed during production and Quality inspection. Elantec performs most electrical tests using modern high-speed automatic test equipment, specifically the LTX77 Series system. Unless otherwise noted, all tests are pulsed tests, therefore $T_J = T_C = T_A$.

Test Level	Test Procedure
I	100% production tested and QA sample tested per QA test plan QCX0002.
II	100% production tested at $T_A = 25^\circ\text{C}$ and QA sample tested at $T_A = 25^\circ\text{C}$, T_{MAX} and T_{MIN} per QA test plan QCX0002.
III	QA sample tested per QA test plan QCX0002.
IV	Parameter is guaranteed (but not tested) by Design and Characterization Data.
V	Parameter is typical value at $T_A = 25^\circ\text{C}$ for information purposes only.

DC Electrical Characteristics $V_S = \pm 12\text{V}$, $T_{MIN} \leq T_A \leq T_{MAX}$

Parameter	Description	Test Conditions	ELH0002				Units
			Min	Typ	Max	Test Level	
V_{OS}	Output Offset Voltage	$R_S = 300\Omega$, $R_L = 1\text{ k}\Omega$		± 10	± 30	I	mV
A_V	Voltage Gain	$R_S = 10\text{ k}\Omega$, $R_L = 1\text{ k}\Omega$, $V_{IN} = \pm 10\text{ V}_{dc}$	0.95	0.97		I	V/V
R_{IN}	Input Impedance	$R_S = 200\text{ k}\Omega$, $V_{IN} = \pm 1\text{ V}_{dc}$, $R_L = 1\text{ k}\Omega$	180	400		I	k Ω
R_{OUT}	Output Impedance	$R_S = 50\Omega$, $V_{IN} = \pm 1\text{ V}_{dc}$, $R_L = 10\text{ k}\Omega$		6 Ω			
V_O	Output Voltage Swing	$V_{IN} = \pm 12\text{V}$, $R_L = 1\text{ K}\Omega$	± 10	± 11		I	V
		$V_S = \pm 15\text{V}$, $V_{IN} = \pm 12\text{V}$, $R_S = 50\Omega$, $R_L = 100\Omega$, $T_A = 25^\circ\text{C}$	± 10			I	V
I_B	Input Current	$R_S = 10\text{ k}\Omega$, $R_L = 1\text{ k}\Omega$		± 6	± 10	I	μA
I_{S+}	Positive Supply Current	$R_S = 10\text{ k}\Omega$, $R_L = 1\text{ k}\Omega$		6	10	I	mA
I_{S-}	Negative Supply Current	$R_S = 10\text{ k}\Omega$, $R_L = 1\text{ k}\Omega$		-6	-10	I	mA

Note 1: Elantec's ELH0002H/200 is tested to the ELH0002 DC limits at -25°C , $+25^\circ\text{C}$ and $+125^\circ\text{C}$, and the AC limits at 25°C . In addition, the parts are also tested to the DC limits for V_{OS} , A_{VOL} with $R_L = 1\text{ k}\Omega$, I_{IN} , I_{S+} and I_{S-} at 200°C .

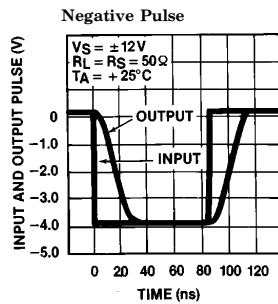
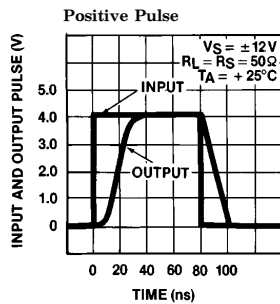
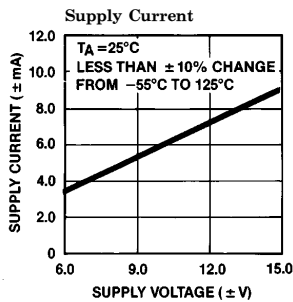
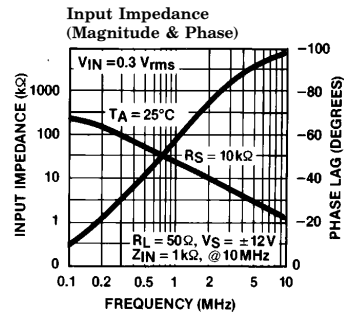
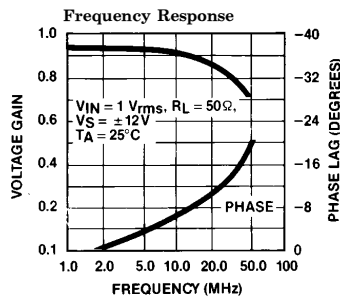
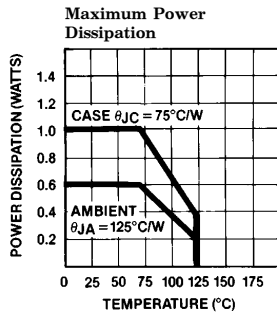
ELH0002H/883/7801301XX

Current Amplifier

AC Electrical Characteristics $V_S = \pm 12V, T_A = 25^\circ C$

Parameter	Description	Test Conditions	ELH0002				Units
			Min	Typ	Max	Test Level	
A_V	Voltage Gain	$R_S = 10\text{ k}\Omega, R_L = 1\text{ k}\Omega$ $V_{IN} = 3\text{ V}_{P-P}, f = 1\text{ kHz}$	0.95	0.97		I	V/V
A_I	Current Gain	$V_{IN} = 1\text{ V}_{RMS}, f = 1\text{ kHz}$		40			A/mA
R_{IN}	Input Impedance	$R_S = 200\text{ k}\Omega, V_{IN} = 1\text{ V}_{RMS},$ $R_L = 1\text{ k}\Omega, f = 1\text{ kHz}$	180	400		I	k Ω
R_{OUT}	Output Impedance	$R_L = 50\Omega, V_{IN} = 1\text{ V}_{RMS},$ $R_S = 10\text{ k}\Omega, f = 1\text{ kHz}$		6	10	I	Ω
HD	Harmonic Distortion	$V_{IN} = 5\text{ V}_{RMS}, f = 1\text{ kHz}$		0.1		V	%
t_r	Rise Time	$R_L = 50\Omega, \Delta V_{IN} = 100\text{ mV}$		7	12	III	ns

Typical Performance Curves

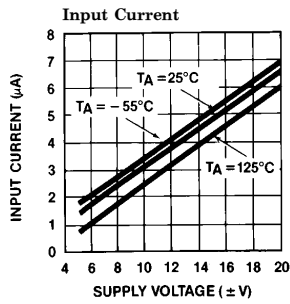


0002-3

ELH002H/883/7801301XX

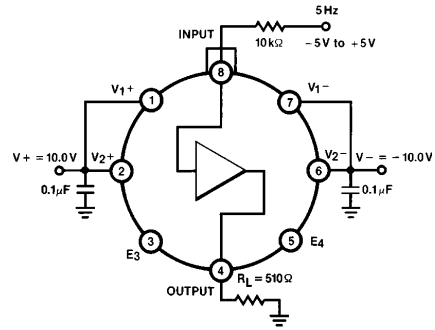
Current Amplifier

Typical Performance Curves — Contd.



0002-4

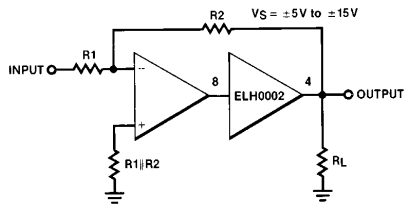
Burn-In Circuit



0002-5

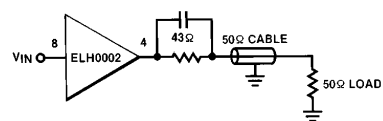
Typical Applications

High Current Operational Amplifier



0002-6

Line Driver



0002-7

Select capacitor to adjust time response of pulse.

ELH0002H/883/7801301XX

Current Amplifier

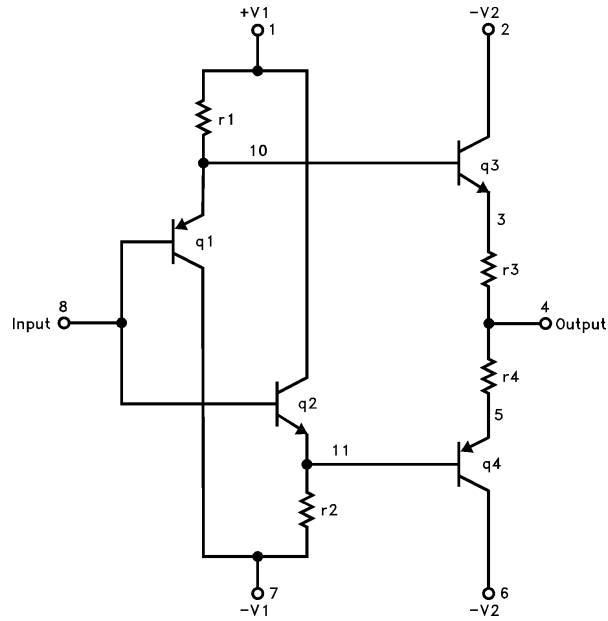
ELH0002 Macromodel

```
* Connections: input
*           |           V1+
*           |           |           V2+
*           |           |           |           V1-
*           |           |           |           |           V2-
*           |           |           |           |           |           output
*           |           |           |           |           |           |
.subckt M0002 8 1 2 7 6 4
* Models
.model qp pnp (is = 10e-14 bf = 300 vaf = 60 ikf = 200mA var = 6V br = 9
+ rb = 30 cje = 40pF cjc = 15pF tf = 1nS xtb = 2.0)
.model qn npn (is = 10e-14 bf = 200 vaf = 200 ikf = 200mA var = 12V br = 8
+ rb = 30 cje = 27pF cjc = 10pF tf = 1nS xtb = 2.0)
* Resistors
r1 1 10 5K
r2 11 7 5K
r3 3 4 2.0
r4 5 4 2.0
* Transistors
q1 7 8 10 qp
q4 6 11 5 qp
q2 1 8 11 qn
q3 2 10 3 qn
.ends
```

ELH0002H/883/7801301XX

Current Amplifier

ELH0002 Macromodel — Contd.



0002-9

BLANK

ELH0002H/883/7801301XX

Current Amplifier

General Disclaimer

Specifications contained in this data sheet are in effect as of the publication date shown. Elantec, Inc. reserves the right to make changes in the circuitry or specifications contained herein at any time without notice. Elantec, Inc. assumes no responsibility for the use of any circuits described herein and makes no representations that they are free from patent infringement.

élantec
HIGH PERFORMANCE ANALOG INTEGRATED CIRCUITS

Elantec, Inc.

1996 Tarob Court

Milpitas, CA 95035

Telephone: (408) 945-1323

(800) 333-6314

Fax: (408) 945-9305

European Office: 44-71-482-4596

WARNING — Life Support Policy

Elantec, Inc. products are not authorized for and should not be used within Life Support Systems without the specific written consent of Elantec, Inc. Life Support systems are equipment intended to support or sustain life and whose failure to perform when properly used in accordance with instructions provided can be reasonably expected to result in significant personal injury or death. Users contemplating application of Elantec, Inc. products in Life Support Systems are requested to contact Elantec, Inc. factory headquarters to establish suitable terms & conditions for these applications. Elantec, Inc.'s warranty is limited to replacement of defective components and does not cover injury to persons or property or other consequential damages.