

EM2710

USB PC CAM Device

Hardware Specification



DISCLAIMER

EMPIA Technology reserves the right to make changes in the device data identified in this publication without further notice. EMPIA Technology advises its customers to obtain the latest version of all device data to verify that any information being relied upon by the customer is current and accurate.

EMPIA Technology does not assume any liability arising out of or associated with the application or use of any product or integrated circuit or component described herein. EMPIA Technology does not convey any license under its patent rights or the patent rights of others described herein. In the absence of a written or prior stated agreement to the contrary, the terms and conditions stated on the back of the EMPIA Technology order acknowledgment obtain.

EMPIA Technology makes no warranty of any kind with regard to this material, including, but not limited to the implied warranties of merchantability and fitness for a particular purpose.

EMPIA Technology products are not designed, intended, or authorized for use as components in systems intended for surgical implant into the body, or other applications intended to support or sustain life, or for any nuclear facility application, or for any other application in which the failure of the EMPIA Technology product(s) could create a situation where personal injury or death may occur. EMPIA Technology will not knowingly sell its products for use in such applications, and the buyer shall indemnify and hold harm-less EMPIA Technology and its officers, employees, subsidiaries, affiliates, representatives, and distributors against all claims, costs, damages, expenses, tort, and attorney fees arising out of directly or indirectly, any claim of personal injury or death associated with such unintended or unauthorized use, even if such claim alleges that EMPIA Technology was negligent regarding the design or manufacture of the part.

Features

No external memory required

Flexible Video Input Port

8-bit video input port

Programmable Video Timing Generator

Generate clock, H-sync and V-sync for CMOS sensor

Bayer RGB Color Processor

Black clamping
Gamma correction
Bayer pattern filtering
Gain and offset adjustment in RGB space
Support for auto exposure and white balance
Defect pixel compensation

Compressing Engine

Proprietary, high-quality compression
Programmable compression rate

Audio Interface

Support AC97 CODEC
Software direct access to AC97 CODEC registers
Support audio sample rates of 48K, 44.1K, 32K, 22.05K, and 8K.

USB Port

Integrated USB 2.0 PHY with High-Speed and Full-Speed Transceivers
Second generation USB 2.0 PHY with reduced power
USB 2.0 and 1.1 compliant
Support Iso-chronous audio pipe up to 0.2 MB/sec
Support Iso-chronous video pipe up to 24 MB/sec
Support Bulk video pipe

EEPROM Interface

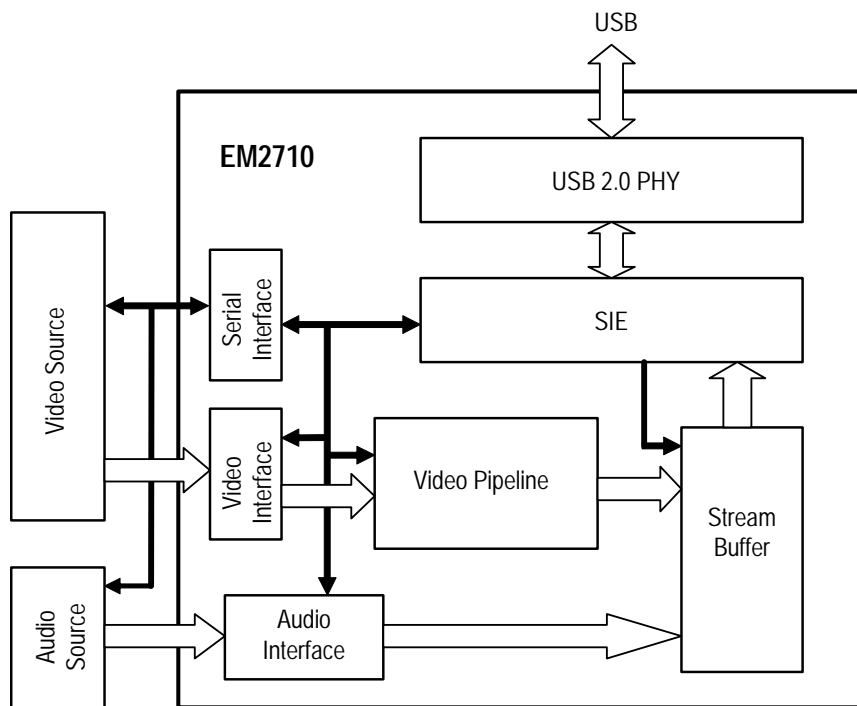
Support 128-byte or 256-byte 2-wire serial EEPROM
Use EEPROM to store chip configurations and USB descriptors
Customized Vendor ID and Product ID
Customized Vendor String, Product String, and Serial Number String
Software may use EEPROM to store board configurations
Software may use EEPROM to store defect pixel coordinates

Miscellaneous

2-wire serial bus to program front-end video/audio devices

Power-down control to front-end video/audio devices
8 General-Purposed I/O ports
Snap shot button input
LED control output
0.25 micron, 2.5V Core, 3.3V I/O CMOS process
64-pin LQFP package

Functional Block Diagram



General Description

EM2710 USB Video Capture Device (UVCD) is a highly integrated VLSI that provides a cost-effective solution for video capture applications on USB 2.0. Typical applications of this device are:

- *CMOS PC-Camera*

As illustrated in the functional block diagram, an USB video subsystem consists of the UVCD, a video source, and optionally an audio source. The audio source can be an AC97 codec. The USB host configures (programs) the video/audio source via the 2-wire serial bus or the AC97-link. Source video stream is transferred to the UVCD via the 8-bit video bus. Source audio stream is transferred to the UVCD via the AC97-link.

As shown in the functional block diagram, the UVCD consists of 7 main blocks.

- *Video Interface*
- *Video Pipeline*
- *Audio Interface*
- *Stream Buffer*
- *Serial Interface Engine*
- *USB 2.0 PHY*
- *2-Wire Serial Interface*

Video Interface

The Video Interface Block receives video data from external video source. Video clock (VCLK) and reference signals (VREF, HREF) from the video source are used to strobe incoming video data. CCIR-656 with embedded FID, VREF and HREF is also supported.

From the incoming video, a rectangular video sub-block is selected for feeding the next block, Video Pipeline.

The Video Interface Block also includes a video timing generator that generates HREF and VREF for slave-mode CMOS sensor.

Video Pipeline

The Video Pipeline Block performs the following operations.

- *Black Clamping*
- *Gamma Correction*
- *RGB Gain and Offset*
- *Defect Pixel Compensation*
- *Up-Sampling 8-bit Bayer to 24-bit RGB,*
- *Color Space Conversion to YUV,*
- *Pixel Accumulation for AE and AWB*
- *Down Scaling*
- *Sharpness Enhancement*
- *Contrast, Brightness, and Saturation Adjustments*
- *UV Offset Adjustments*
- *Output Formatting*
- *Image Compression*

After the above operations, the compressed video is stored into the Stream Buffer.

Audio Interface

The Audio Interface Block contains an AC97 controller. Enabled by configuration settings in EEPROM or CFG3.

The AC97 controller interfaces with an external AC97 codec via 4-wire AC97-link. Supported audio sample rates are 48K, 44.1K, 32K, 22.05K, and 8K.

The Audio Interface Block converts the serial audio input to PCM16 format and stores into the Stream Buffer.

Stream Buffer

The Stream Buffer stores the final audio and video data and delivers the data to the SIE upon request. The Stream Buffer is designed to sustain 24 MB/sec iso-chronous video transfer and 0.2 MB/sec iso-chronous audio transfer.

Serial Interface Engine

The Serial Interface Engine can be divided into 2 sub-blocks: the SIE Controller on the front end and the Endpoint Logic on the back end. The SIE Controller manages USB packets and transactions. The Endpoint Logic implements endpoint specific logic required for video capture application. The SIE communicates with the USB 2.0 PHY via UTMI bus.

The UVCD complies with USB power management standard. When the USB bus stays idle for 3 mini seconds, the chip enters suspend mode and shuts down all internal clocks. The chip also sends out a power-down signal to external devices.

USB 2.0 PHY

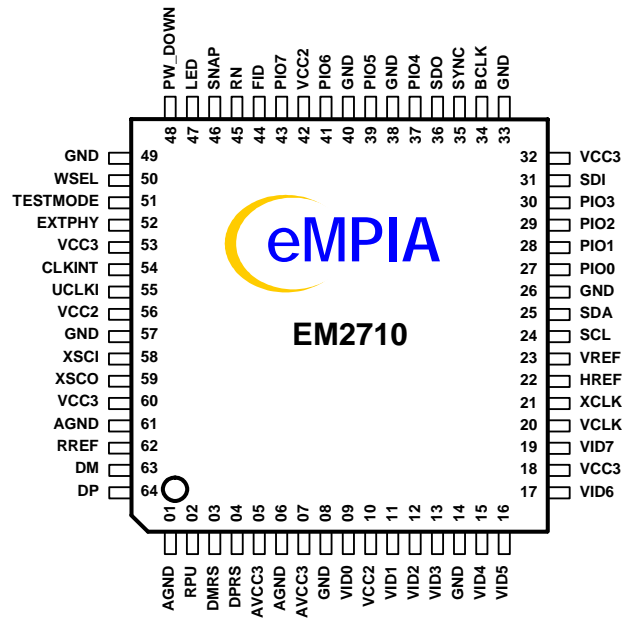
The USB 2.0 PHY includes 12-MHz Full-Speed transceivers, 480-MHz High-Speed transceivers, a PLL, and an UTMI controller. The transceivers are compliant to the USB 2.0 electrical specification. The PLL supplies clocks to the entire chip. The UTMI controller communicates with the SIE. The PHY has been optimized for low power. Furthermore, the PHY can be suspended by the SIE to conserve power.

Serial Port and General I/O Port

The UVCD uses a two-wire serial bus to communicate with CMOS sensor or NTSC decoder. The serial port consists of SCL (clock) and SDA (data). Both are open-collector bi-directional ports. External pull-up resistors are required on both lines.

There are 8 general I/O ports. All general I/O ports are open-collector bi-directional pins. If a port is intended for output, it must be tied to external pull-up resistors.

Pin Assignments



Pin Descriptions

Video Interface

Symbol	Pin No.	Type	Description
XCLK	21	O	Video synchronous clock output
VCLK	20	I	Video reference clock from video source
VREF	23	B	Vertical reference (sync) signal from video source in input mode. Video timing generator vertical reference output in output mode.
HREF	22	B	Horizontal reference (sync) signal from video source in input mode. Video timing generator horizontal reference output in output mode.
FID	44	I	Field ID from video source
VID7	19	I	Video input data, bit 7
VID6	17	I	Video input data, bit 6
VID5	16	I	Video input data, bit 5
VID4	15	I	Video input data, bit 4
VID3	13	I	Video input data, bit 3
VID2	12	I	Video input data, bit 2
VID1	11	I	Video input data, bit 1
VID0	9	I	Video input data, bit 0

Audio Interface

Symbol	Pin No.	Type	Description
BCLK	34	I	AC97 bit clock
SDI	31	I	AC97 serial data input
SYNC	35	O	AC97 48 KHz fixed rate sample sync
SDO	36	O	AC97 serial data output
WSEL	50	I	Reserve

USB Interface

Symbol	Pin No.	Type	Description
DP	64	B	USB High-Speed differential data positive
DM	63	B	USB High-Speed differential data negative
DPRS	4	B	USB Full-Speed differential data positive, connected to external serial resistor (39 Ohm, 1%).
DMRS	3	B	USB Full-Speed differential data negative, connected to external serial resistor (39 Ohm, 1%).
RREF	62	Analog	Connect external reference resistor (12.1 Kohm, 1%) to Analog Ground
RPU	2	Analog	Connect external resistor (1.5 Kohm, 1%) to 3.3V Analog Power
XSCI	58	Analog	Crystal oscillator input 12 MHz
XSCO	59	Analog	Crystal oscillator output 12 MHz

Serial Bus and Programmable I/O

Symbol	Pin No.	Typ	Description
SCL	24	B	Serial bus clock, open-drain, require external pull-up resistor.
SDA	25	B	Serial data, open-drain, require external pull-up resistor.
PIO7	43	B	General I/O port 0, require external pull-up resistor in output mode.
PIO6	41	B	General I/O port 1, require external pull-up resistor in output mode.
PIO5	39	B	General I/O port 2, require external pull-up resistor in output mode.
PIO4	37	B	General I/O port 3, require external pull-up resistor in output mode.
PIO3	30	B	General I/O port 4, require external pull-up resistor in output mode.
PIO2	29	B	General I/O port 5, require external pull-up resistor in output mode.
PIO1	28	B	General I/O port 6, require external pull-up resistor in output mode.
PIO0	27	B	General I/O port 7, require external pull-up resistor in output mode.

Miscellaneous

Symbol	Pin No.	Typ	Description
RN	45	I	Chip reset input. Active low. Connect to power-up RC circuit.
SNAP	46	I	Connect to snapshot button
LED	47	O	Connect to LED
PW_DOW	48	O	Power down external devices.
TESTMO	51	I	Put the chip in test mode. Normally tie to GND
EXTPHY	52	I	Select and use external PHY. Normally tie to GND
CLKINT	54	I	Select and use internal PLL. Normally tie to 3.3V VCC
UCLKI	55	I	Chip clock input when CLKINT=0. Normally tie to GND

Power and Ground

Symbol	Pin No.	Type	Description
AVCC3	5,7	Power	3.3V Analog Power
AGND	1, 6, 61	Ground	Analog Ground
VCC3	18, 32, 53, 60	Power	3.3V Digital Power
VCC2	10, 42, 56	Power	2.5V Digital Power
GND	8, 14,26,33 38,40,49,57	Ground	Digital Ground

EEPROM Data Structure

EEPROM contains hardware configuration information. After reset by RN, the UVCD reads the EEPROM and uses the information to configure the chip. The first four bytes of the EEPROM are Key to the EEPROM. If the EEPROM is absent or the Key is invalid, the UVCD is configured with a set of default values.

Addr.	Data Definition	Default
00H	Key Byte 0 = 1AH	-
01H	Key Byte 1 = EBH	-
02H	Key Byte 2 = 67H	-
03H	Key Byte 3 = 95H	-
04H	USB Vendor ID Low Byte	1AH
05H	USB Vendor ID High Byte	EBH
06H	USB Product ID Low Byte	*
07H	USB Product ID High Byte	*
08H	Chip Configuration Low Byte D[7:6] Reserved. Set to 0. D[5:4] Audio Configuration 00 – No audio on board. 01 – AC97 audio on board with 5 sample rates: 48K, 44.1K, 32K, 22.05K, and 8K. 10 – Reserved. 11 – Reserved. D[3] USB Remote Wakeup Capable when set to 1 D[2] USB Self Power Capable when set to 1. If the chip is configured to be Self Power Capable, PIO7 becomes self power status input. D[1:0] USB Max Power Select 00 – USB Max Power 500 mA 01 – USB Max Power 400 mA 10 – USB Max Power 300 mA 11 – USB Max Power 200 mA	**
09H	Chip Configuration High Byte Reserved. Set to 0.	00H
0AH	Board Configuration Low Byte To be defined by Software Architect	00H
0BH	Board Configuration High Byte To be defined by Software Architect	00H
0CH	String 1 Descriptor Pointer Starting address of String 1 Descriptor in the EEPROM	00H
0DH	String 1 Descriptor Length Number of bytes of String 1 Descriptor in the EEPROM	00H
0EH	String 2 Descriptor Pointer Starting address of String 2 Descriptor in the EEPROM	00H
0FH	String 2 Descriptor Length Number of bytes of String 2 Descriptor in the EEPROM	00H
10H	String 3 Descriptor Pointer Starting address of String 3 Descriptor in the EEPROM	00H
11H	String 3 Descriptor Length Number of bytes of String 3 Descriptor in the EEPROM	00H
12H	String Index Table D[7:6] Reserved. Set to 0. D[5:4] Serial Number String Descriptor Index D[3:2] Product String Descriptor Index D[1:0] Vendor String Descriptor Index	00H

Note:

- * Default Product ID is listed below:

Chip Type	Product ID (w.o. audio)	Product ID (w. audio)
EM2710	2710H	2711H

- ** Default Chip Configuration Low Byte = 00H if PIO7 is pulled down with a resistor.
Default Chip Configuration Low Byte = 10H if PIO7 is pulled up with a resistor.

Electrical Specifications

Absolute Maximum Ratings

Parameter	Min	Max	Unit
Power Supply Voltage	-0.3	$V_{CC}+0.3$	V
Voltage on any input	-0.3	5.5	V
Operating Temperature (Ambient)	0	70	°C
Storage Temperature	-40	150	°C

Note:

1. Stress beyond those listed may cause permanent damage to the device.
2. Input pins are 5V tolerant.

DC Characteristics

Symbol	Parameter	Conditions	Min	Typ	Max	Unit
V_{CC2}	Core Supply Voltage		2.25	2.5	2.75	V
V_{CC3}	I/O Supply Voltage		3.0	3.3	3.6	V
V_{CCA}	Analog Supply Voltage		3.0	3.3	3.6	V
V_{IH}	Input High Voltage	$V_{CC3} = 3.3V$	2.0			V
V_{IL}	Input Low Voltage	$V_{CC3} = 3.3V$			0.8	V
V_{OH}	Output High Voltage		2.4			V
V_{OL}	Output Low Voltage				0.4	V
I_{CC}	Operating Supply Current				120	mA
I_{CCS}	Suspend Supply Current				250	μA
C_{IN}	Input Capacitance			3.5		pF
C_{OUT}	Output Capacitance			3.5		pF

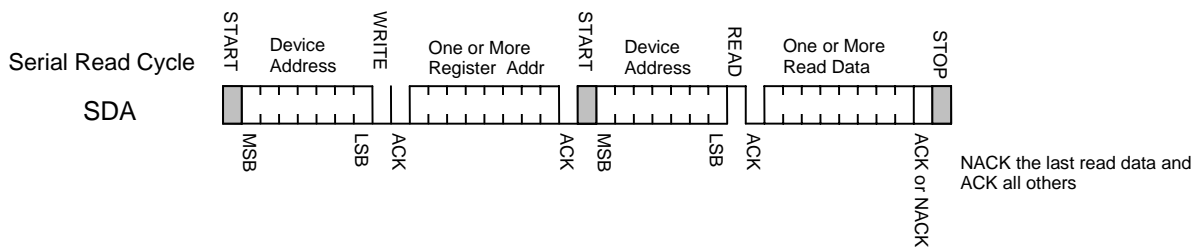
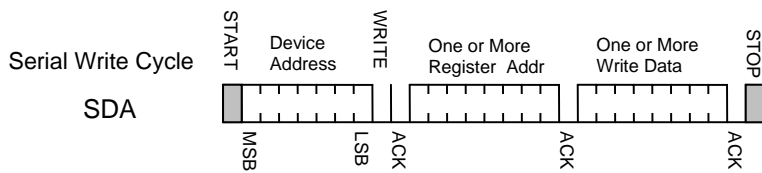
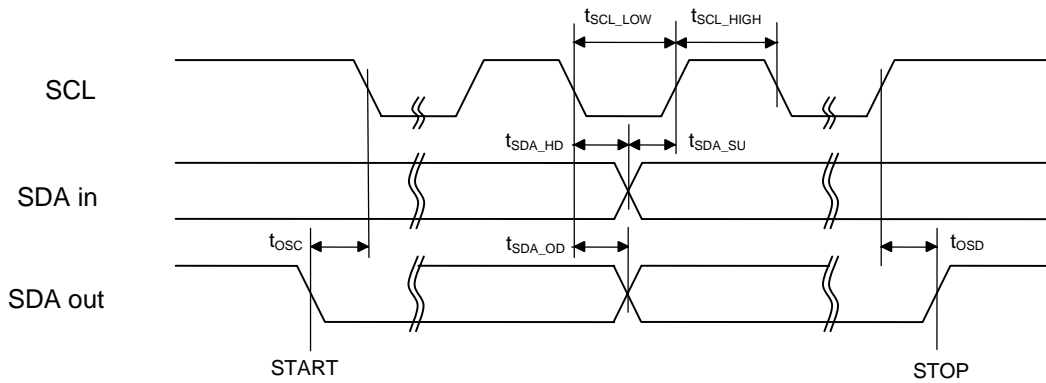
AC Characteristics

Symbol	Parameter	Min	Typ	Max	Unit
f_{XTAL}	Crystal Frequency at XSCI, XSCO		12		MHz

Serial Bus Timing

Conditions: 100 KHz SCL; 4.7 Kohm pull up; 100 pF load;

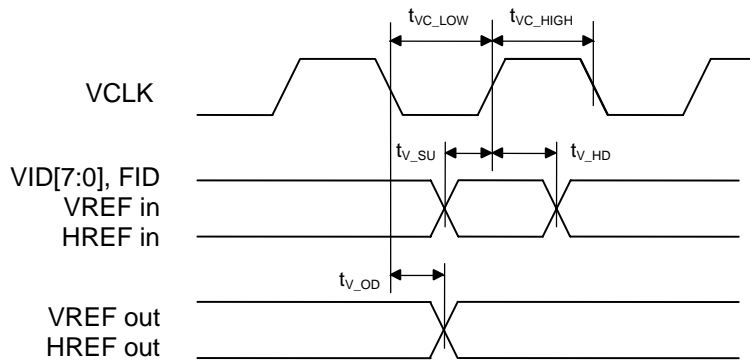
Symbol	Parameter	Min	Typ	Max	Unit
f_{SCL}	SCL Frequency		100		KHz
t_{SCL_LOW}	SCL Low Pulse Width	4.7			μ s
t_{SCL_HIGH}	SCL High Pulse Width	4.0			μ s
t_{OSC}	SDA to SCL Output Delay at START and STOP	4.0		7.0	μ s
t_{OSD}	SCL to SDA Output Delay at START and STOP	4.0		7.0	μ s
t_{SDA_OD}	SDA Output Delay	4.0		7.0	μ s
t_{SDA_SU}	SDA Input Setup Time	0			ns
t_{SDA_HD}	SDA Input Hold Time	100			ns



Video Interface Timing

Conditions: 50 pF load

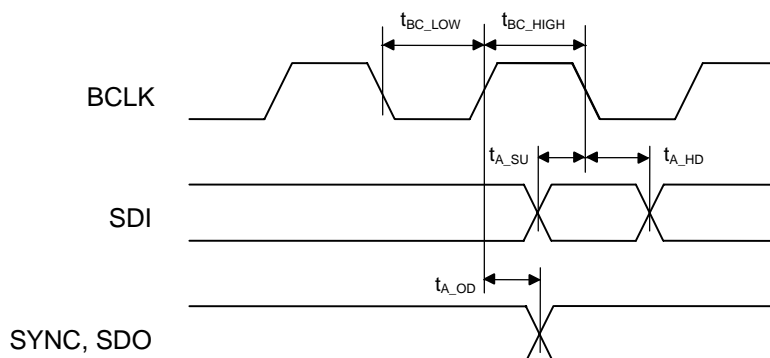
Symbol	Parameter	Min	Typ	Max	Unit
f_{VCLK}	VCLK Frequency			29	MHz
t_{VC_LOW}	VCLK Low Pulse Width	15			ns
t_{VC_HIGH}	VCLK High Pulse Width	15			ns
t_{V_OD}	Video Output Delay	0		10	ns
t_{V_SU}	Video Input Setup Time	10			ns
t_{V_HD}	Video Input Hold Time	10			ns



AC97-Link Timing

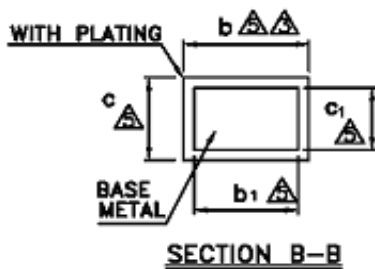
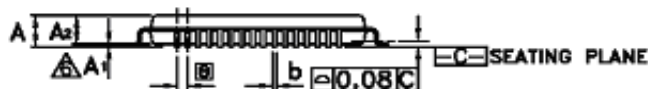
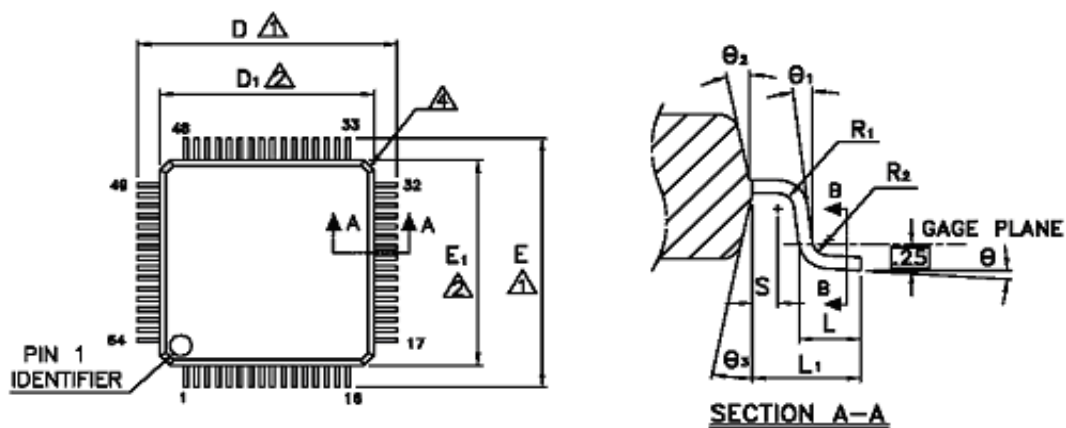
Conditions: 50 pF load

Symbol	Parameter	Min	Typ	Max	Unit
f_{BCLK}	BCLK Frequency		12.288		MHz
f_{SYNC}	SYNC Frequency		48		KHz
$t_{\text{BC_LOW}}$	BCLK Low Pulse Width	36		45	ns
$t_{\text{BC_HIGH}}$	BCLK High Pulse Width	36		45	ns
$t_{\text{A_OD}}$	AC97 Data Output Delay	0		15	ns
$t_{\text{A_SU}}$	AC97 Data Input Setup Time	10			ns
$t_{\text{A_HD}}$	AC97 Data Input Hold Time	10			ns



Packaging Information

64-pin LQFP Mechanical Drawing



Symbol	Dimension in mm			Dimension in inch		
	Min	Nom	Max	Min	Nom	Max
A	—	—	1.60	—	—	0.063
A ₁	0.05	—	0.15	0.002	—	0.006
A ₂	1.35	1.40	1.45	0.053	0.055	0.057
b	0.17	0.22	0.27	0.012	0.015	0.018
b ₁	0.17	0.20	0.23	0.012	0.014	0.016
c	0.09	—	0.20	0.004	—	0.008
c ₁	0.09	—	0.16	0.004	—	0.006
D	12.00 BSC			0.472 BSC		
D ₁	10.00 BSC			0.394 BSC		
E	12.00 BSC			0.472 BSC		
E ₁	10.00 BSC			0.394 BSC		
Ⓜ	0.50 BSC			0.020 BSC		
L	0.45	0.60	0.75	0.018	0.024	0.030
L ₁	1.00 REF			0.039 REF		
R ₁	0.08	—	—	0.003	—	—
R ₂	0.08	—	0.20	0.003	—	0.008
S	0.20	—	—	0.008	—	—
θ	0°	3.5°	7°	0°	3.5°	7°
θ ₁	0°	—	—	0°	—	—
θ ₂	12° TYP			12° TYP		
θ ₃	12° TYP			12° TYP		