

EM3123 Series
Euro-Mag Terminal Blocks
 3.50 Centers; Modular

SPECIFICATIONS

- Rating:** 6A, 300V
- Center Spacing:** .138" (3.50)
- Wire Range:** #16-26 AWG
- Housing Material:** Black Polyamide Type 6/6, 94V0
- Contact Material:** Tin Plated Brass
- Wire Protector:** Stainless Steel
- Screw Size:** M2.0 Chromate Steel
- Operating Temperature:** 105°C (221°F) max., -33°C (-27°F) min.
- Torque Rating:** 2.5 in.-lb.
- Recommended PCB Hole Diameters:** .055" (1.40)
- Construction:** Modular design features dove-tails for interlocking to achieve longer lengths
- Agency Information:** UL/CSA; CE Certified

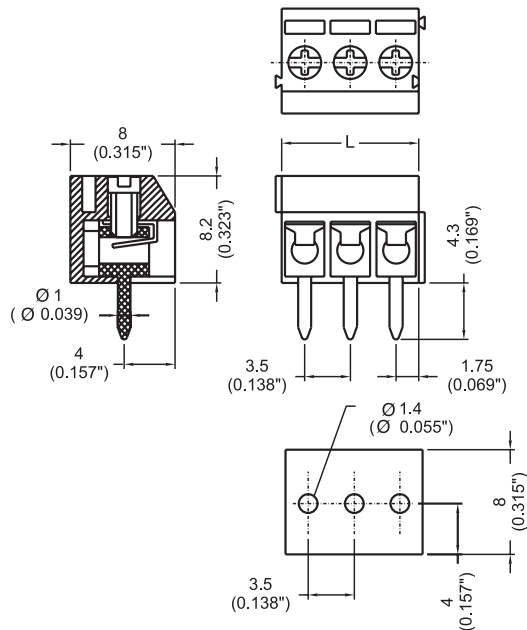


TABLE A

Poles	L (mm)	Poles	L (mm)
2	7.00	14	49.50
3	10.50	15	52.50
4	14.00	16	56.00
5	17.50	17	59.50
6	21.00	18	63.00
7	24.50	19	66.50
8	28.00	20	70.00
9	31.50	21	73.50
10	35.00	22	77.00
11	38.50	23	80.50
12	42.00	24	84.00
13	45.50		

www.DataSheet4U.com
 To convert to inches, divide by 25.4

Euro-MAG Series
PCB - Spring Clamp

Part Numbering System

Series # of Poles

E
M
3
1
2
3

02 to 24

EM2665 Series Euro-Mag Terminal Blocks 5.00 Centers

SPECIFICATIONS

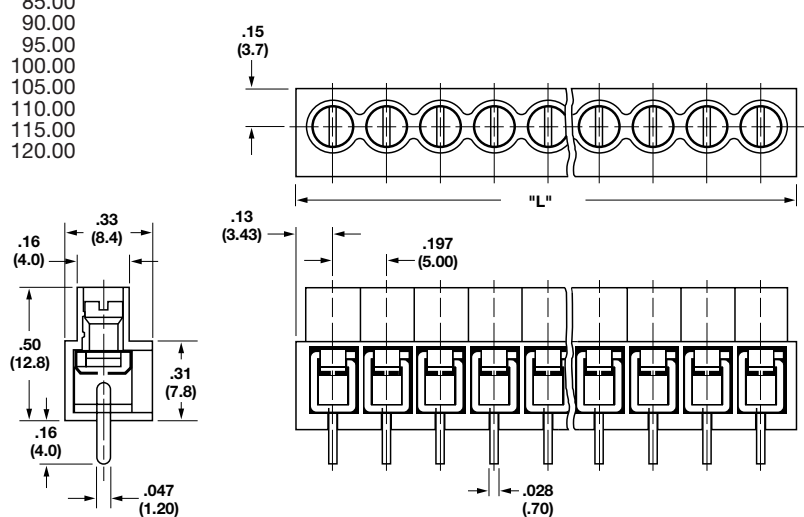
Rating: 10A, 300V
Center Spacing: .197" (5.00 mm)
 Consult factory for .394" (10.00 mm)
Wire Range: #14-22 AWG
Housing Material: UL rated 94V0 Thermoplastic
Contact Material: Brass Tin Plated
Screw Size: M3x5 Zinc Plated Steel
Operating Temperature: 105°C (221°F) max., -40°C (-40°F) min.
Torque Rating: 7 in-lb.
Recommended PCB Hole Diameters: .055" (1.40)
Construction: Mold to Length
Connector Style: Spring Clamp
Agency Information: UL/CSA; CE Certified

EM266512

TABLE A

Position	L (mm)	Position	L (mm)
02	10.00	14	70.00
03	15.00	15	75.00
04	20.00	16	80.00
05	25.00	17	85.00
06	30.00	18	90.00
07	35.00	19	95.00
08	40.00	20	100.00
09	45.00	21	105.00
10	50.00	22	110.00
11	55.00	23	115.00
12	60.00	24	120.00
13	65.00		

To convert to inches, divide by 25.4
www.DataSheet4U.com



Also available in 10.00 mm (EM2661XX).

Part Numbering System

Series

of Positions

EM2665

□□

02 to 24

EM3660 Series
Euro-Mag Terminal Blocks
 5.00 Centers; Modular



EM366005

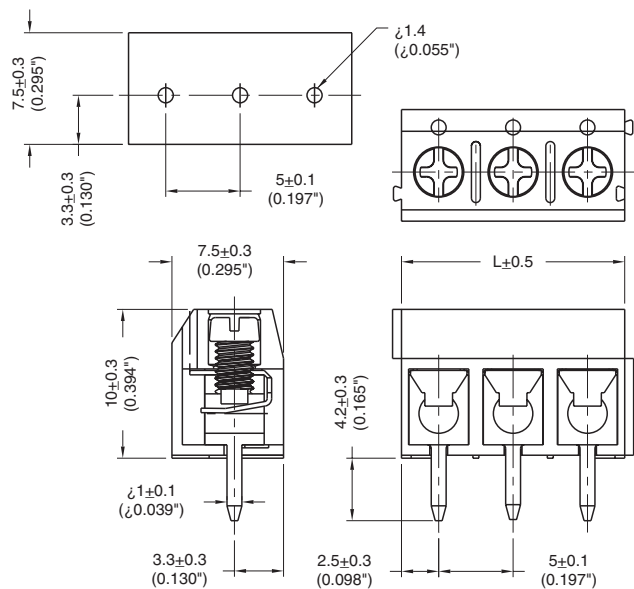
SPECIFICATIONS

- Rating:** 16A, 250V
- Center Spacing:** .197" (5.00)
- Wire Range:** #16-24 AWG
- Housing Material:** Blue Polyamide Type 6/6, 94V0
- Contact Material:** Tin Plated Brass
- Wire Protector:** Stainless Steel
- Screw Size:** M3 Nickel Plated Steel
- Operating Temperature:** 105°C (221°F) max., -33°C (-27°F) min.
- Torque Rating:** 4.0 in-lb.
- Recommended PCB Hole Diameters:** .055" (1.40)
- Construction:** Modular design features dove-tails for interlocking to achieve longer lengths
- Agency Information:** UL/CSA; CE Certified

TABLE A

Poles	L (mm)	Poles	L (mm)
2	10.00	14	70.00
3	15.00	15	75.00
4	20.00	16	80.00
5	25.00	17	85.00
6	30.00	18	90.00
7	35.00	19	95.00
8	40.00	20	100.00
9	45.00	21	105.00
10	50.00	22	110.00
11	55.00	23	115.00
12	60.00	24	120.00
13	65.00		

www.DataSheet4U.com
 To convert to inches, divide by 25.4



Euro-MAG Series
PCB - Spring Clamp

Part Numbering System

Series # of Poles

EM3660 □□

02 to 24

EM3665 Series Euro-Mag Terminal Blocks

5.00 Centers; Modular

SPECIFICATIONS

Rating: 10A, 300V

Center Spacing: .197" (5.00)

Wire Range: #16-22 AWG

Housing Material: UL rated 94V0 Thermoplastic

Contact Material: Tin Plated Brass

Screw Size: M2.5x5 Zinc Plated Steel

Operating Temperature: 105°C (221°F) max., -40°C (-40°F) min.

Torque Rating: 2.5 in-lb.

Recommended PCB Hole Diameters: .055" (1.40)

Construction: Modular design features dove-tails for interlocking to achieve longer lengths

Connector Style: Spring Clamp

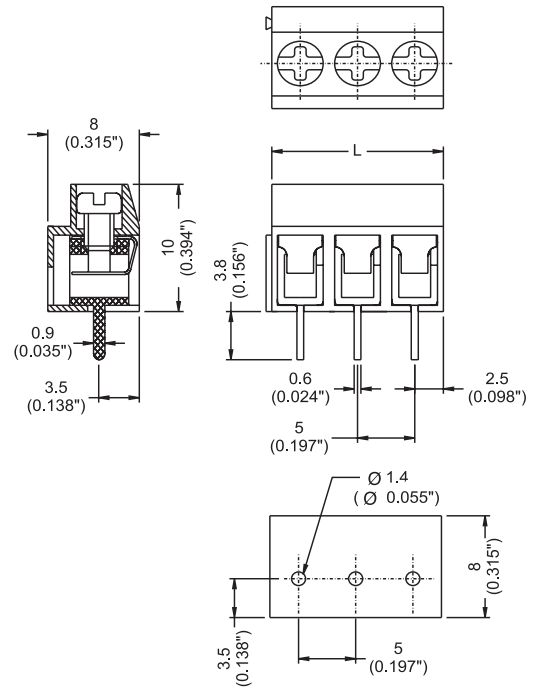
Agency Information: UL/CSA; CE Certified

EM366512

TABLE A

Poles	L (mm)	Poles	L (mm)
2	10.00	14	70.00
3	15.00	15	75.00
4	20.00	16	80.00
5	25.00	17	85.00
6	30.00	18	90.00
7	35.00	19	95.00
8	40.00	20	100.00
9	45.00	21	105.00
10	50.00	22	110.00
11	55.00	23	115.00
12	60.00	24	120.00
13	65.00		

www.DataSheet4U.com
To convert to inches, divide by 25.4



Part Numbering System

Series

EM3665

of Poles

□□

02 to 24

EM3675 Series Euro-Mag Terminal Blocks 5.00 Centers

SPECIFICATIONS

Rating: 10A, 300V

Center Spacing: .197" (5.00)

Wire Range: #14-26 AWG

Housing Material: UL rated 94V0 Thermoplastic

Contact Material: Tin Plated Brass

Screw Size: M2x6, Nickel Plated Steel

Operating Temperature: 105°C (221°F) max., -40°C (-40°F) min.

Torque Rating: 4.0 in-lb.

Recommended PCB Hole Diameters: .055" (1.40)

Construction: Mold to Length

Connector Style: Spring Clamp

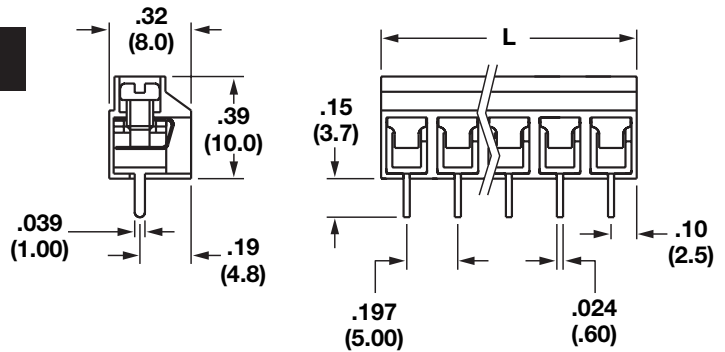
Agency Information: UL/CSA; CE Certified

EM367512

Euro-MAG Series
PCB - Spring Clamp

TABLE A

Poles	L (mm)	Poles	L (mm)
2	10.00	15	75.00
3	15.00	16	80.00
4	20.00	17	85.00
5	25.00	18	90.00
6	30.00	19	95.00
7	35.00	20	100.00
8	40.00	21	105.00
9	45.00	22	110.00
10	50.00	23	115.00
11	55.00	24	120.00
12	60.00	25	125.00
13	65.00	26	130.00
14	70.00	27	135.00



www.DataSheet4U.com

To convert to inches, divide by 25.4

Part Numbering System

Series

EM3675

of Poles

□□

02 to 27

EM3127 Series Euro-Mag Terminal Blocks

7.50 Centers; Modular

SPECIFICATIONS

Rating: 10A, 300V

Center Spacing: .295" (7.50)

Wire Range: #14-22 AWG

Housing Material: Black Polyamide Type 6/6, 94V0

Contact Material: Tin Plated Brass

Wire Protector: Stainless Steel

Screw Size: M3.0 Nickel Plated Steel

Operating Temperature: 105°C (221°F) max., -33°C (-27°F) min.

Torque Rating: 3.5 in.-lb.

Recommended PCB Hole Diameters: .055" (1.40)

Construction: Modular design features dove-tails for interlocking to achieve longer lengths

Agency Information: UL/CSA Pending; CE Certified



EM312705

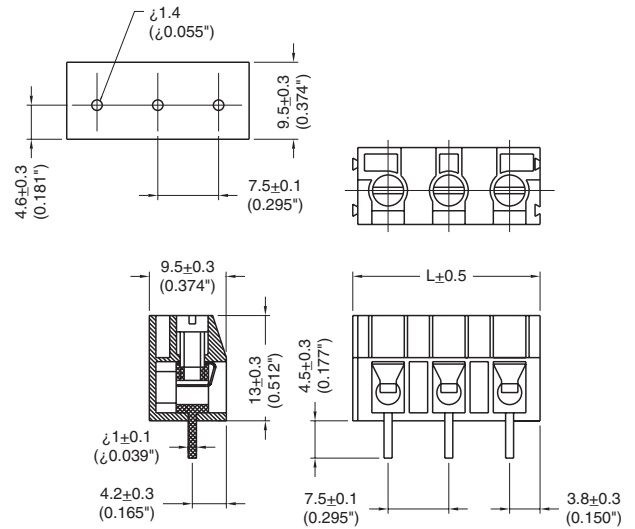


TABLE A

Poles	L (mm)	Poles	L (mm)
2	15.00	14	105.00
3	22.50	15	112.50
4	33.00	16	120.00
5	37.50	17	127.50
6	45.00	18	133.00
7	52.50	19	142.50
8	60.00	20	150.00
9	67.50	21	157.50
10	75.00	22	165.00
11	82.50	23	172.50
12	90.00	24	180.00
13	97.50		

www.DataSheet4U.com
To convert to inches, divide by 25.4

Part Numbering System

Series

EM3127

of Poles

□□

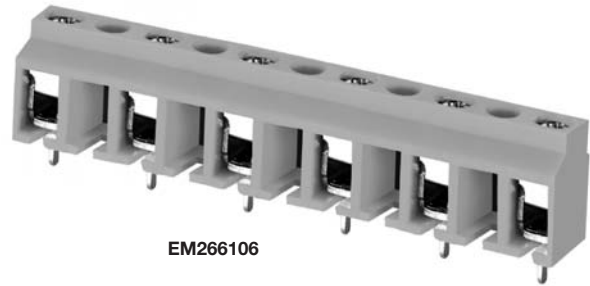
02 to 24

Euro-MAG Series
PCB - Spring Clamp

EM2661 Series
Euro-Mag Terminal Blocks
 10.00 Centers

SPECIFICATIONS

- Rating:** 10A, 300V
- Center Spacing:** .394" (10.00)
- Wire Range:** #14-26 AWG
- Housing Material:** UL rated 94V0 Thermoplastic
- Contact Material:** Tin Plated Brass
- Wire Protector:** Stainless Steel
- Screw Size:** M2.6 Chromate Steel
- Operating Temperature:** 105°C (221°F) max., -40°C (-40°F) min.
- Torque Rating:** 4.0 in-lb.
- Recommended PCB Hole Diameters:** .055" (1.40)
- Construction:** Mold to Length
- Agency Information:** UL/CSA; CE Certified

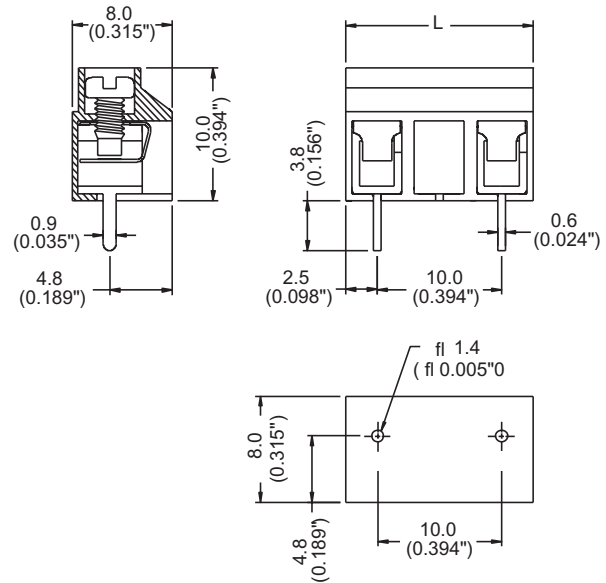


EM266106

TABLE A

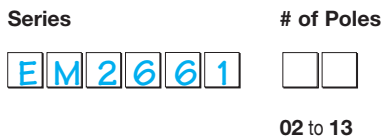
Poles	L (mm)	Poles	L (mm)
2	15.00	8	75.00
3	25.00	9	85.00
4	35.00	10	95.00
5	45.00	11	105.00
6	55.00	12	115.00
7	65.00	13	125.00

To convert to inches, divide by 25.4



Euro-MAG Series
PCB - Spring Clamp

Part Numbering System



EM3661 Series Euro-Mag Terminal Blocks

10.00 Centers; Modular

SPECIFICATIONS

Rating: 10A, 300V

Center Spacing: .394" (10.00)

Wire Range: #14-26 AWG

Housing Material: UL rated 94V0 Thermoplastic

Contact Material: Tin Plated Brass

Wire Protector: Stainless Steel

Screw Size: M2.6 Chromate Steel

Operating Temperature: 105°C (221°F) max., -40°C (-40°F) min.

Torque Rating: 4.0 in-lb.

Recommended PCB Hole Diameters: .055" (1.40)

Construction: Modular design features dove-tails for interlocking to achieve longer lengths

Agency Information: UL/CSA; CE Certified



EM366102

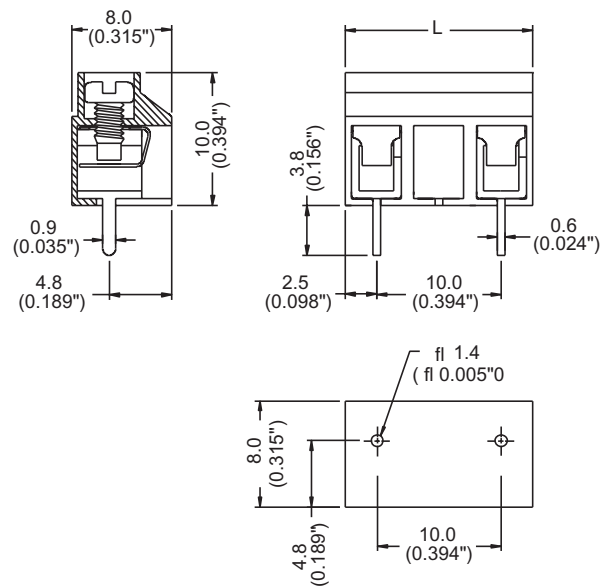


TABLE A

Poles	L (mm)	Poles	L (mm)
2	15.00	9	50.00
3	20.00	10	55.00
4	25.00	11	60.00
5	30.00	12	65.00
6	35.00	13	70.00
7	40.00	14	75.00
8	45.00		

To convert to inches, divide by 25.4

Part Numbering System

Series

EM3661

of Poles

□□

02 to 14

Euro-MAG Series
PCB - Spring Clamp

EM3671 Series
Euro-Mag Terminal Blocks
 10.00 Centers

SPECIFICATIONS

- Rating:** 10A, 300V
- Center Spacing:** .394" (10.00)
- Wire Range:** #14-26 AWG
- Housing Material:** UL rated 94V0 Thermoplastic
- Contact Material:** Tin Plated Brass
- Wire Protector:** Stainless Steel
- Screw Size:** M2.6 Chromate Steel
- Operating Temperature:** 105°C (221°F) max., -55°C (-67°F) min.
- Torque Rating:** 4.0 in-lb.
- Recommended PCB Hole Diameters:** .055" (1.40)
- Construction:** Mold to Length
- Agency Information:** UL/CSA; CE Certified

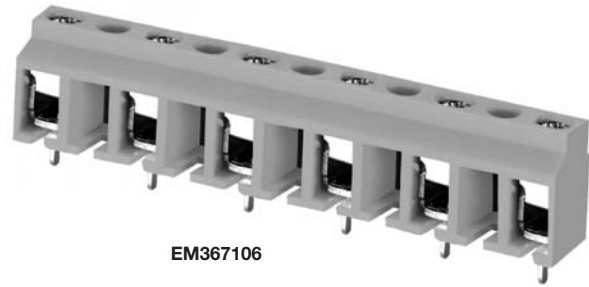
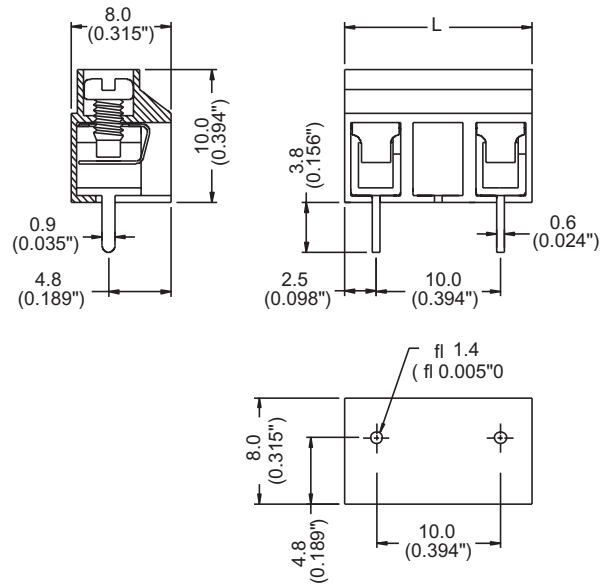


TABLE A

Poles	L (mm)	Poles	L (mm)
2	15.00	8	75.00
3	25.00	9	85.00
4	35.00	10	95.00
5	45.00	11	105.00
6	55.00	12	115.00
7	65.00	13	125.00

To convert to inches, divide by 25.4



Euro-MAG Series
PCB - Spring Clamp

Part Numbering System

Series

of Poles

EM3671

02 to 13