

Features

- Single power supply voltage of 2.3V to 3.6V
- Power down features using CE#
- Low power dissipation
- Data retention supply voltage: 1.0V to 3.6V
- Direct TTL compatibility for all input and output
- Wide operating temperature range: -40°C to 85°C
- Standby current @ VDD = 3.6 V

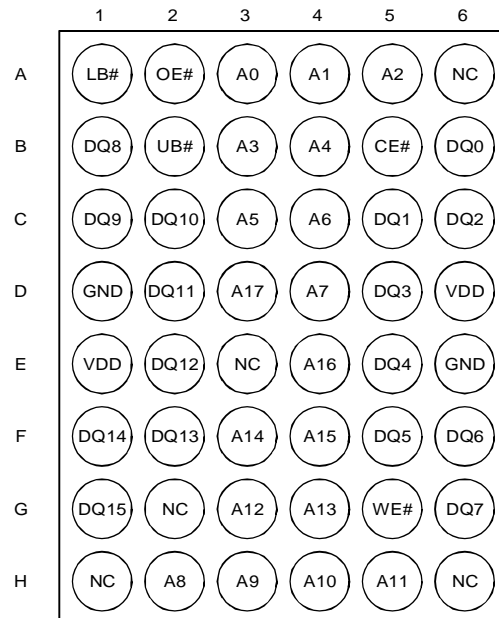
	I _{DD} S2	
	Typical	Maximum
EM564166BC-70/85	1 μ A	10 μ A
EM564166BC-70E/85E	5 μ A	80 μ A

Ordering Information

Part Number	Speed	I _{DD} S2	Package
EM564166BC-70	70 ns	10 μ A	6x8 BGA
EM564166BC-85	85 ns	10 μ A	6x8 BGA
EM564166BC-70E	70 ns	80 μ A	6x8 BGA
EM564166BC-85E	85 ns	80 μ A	6x8 BGA

Pin Configuration

48-Ball BGA (CSP), Top View



Pin Description

Symbol	Function
A0 - A17	Address Inputs
DQ0 - DQ15	Data Inputs / Outputs
CE#	Chip Enable Inputs
OE#	Output Enable
WE#	Read / Write Control Input
LB#, UB#	Data Byte Control Inputs
GND	Ground
VDD	Power Supply
NC	No Connection

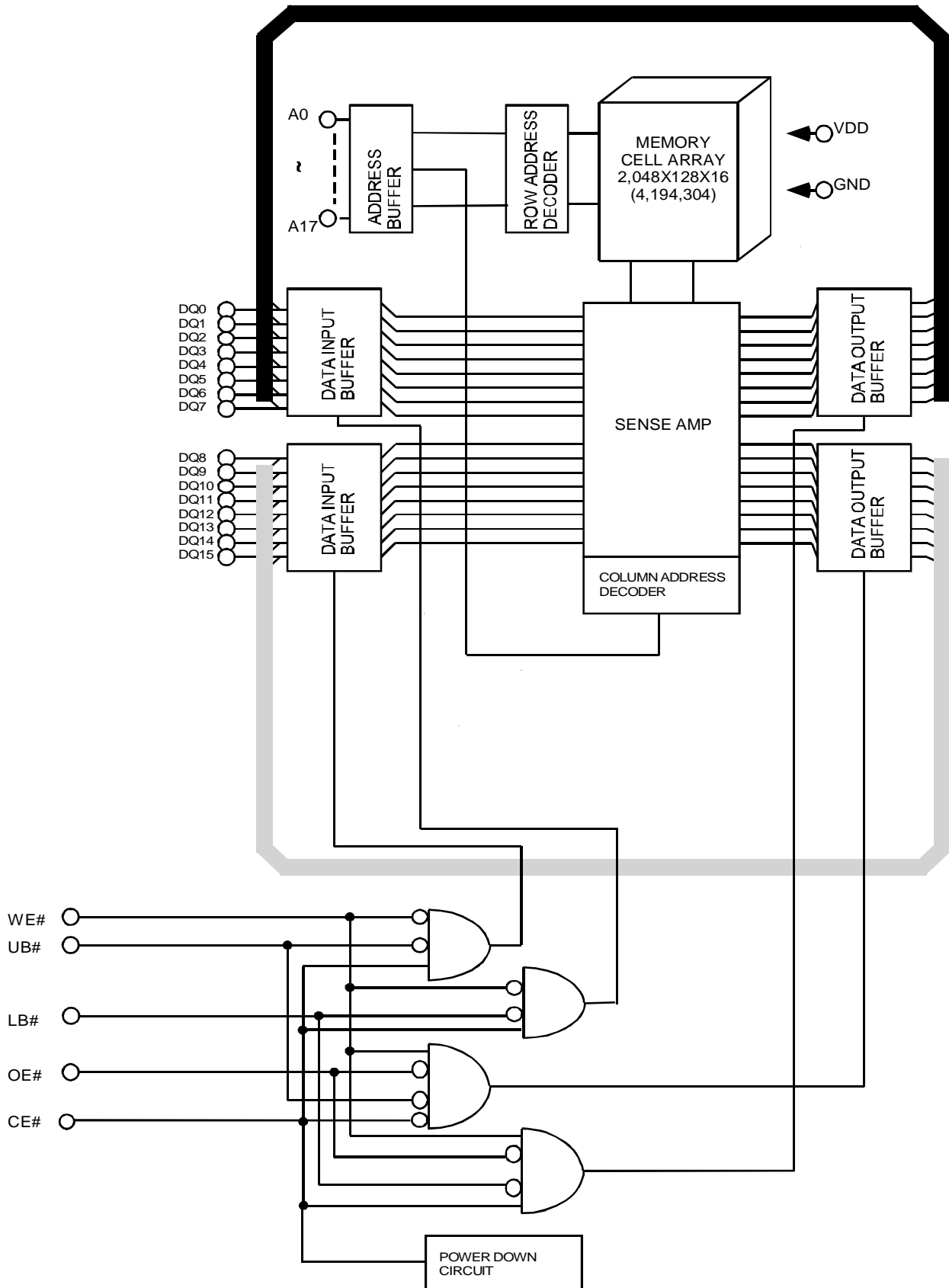
Overview

The EM564166 is a 4,194,304-bit SRAM organized as 262,144 words by 16 bits. It is designed with advanced CMOS technology. This Device operates from a single 2.3V to 3.6V power supply. Advanced circuit technology provides both high speed and low power. It is automatically placed in low-power mode when chip enable (CE#) is asserted high. There are two control inputs. CE# are used to select the device and for data retention control, and output enable (OE#) provides fast memory access. Data byte control pin (LB#,UB#) provides lower and upper byte access. This device is well suited to various microprocessor system applications where high speed, low power and battery backup are required. And, with a guaranteed operating range from -40°C to 85°C, the EM564166 can be used in environments exhibiting extreme temperature conditions.

Etron Technology, Inc.

No. 6, Technology Rd. V, Science-Based Industrial Park, Hsinchu, Taiwan 30077, R.O.C.
 TEL: (886)-3-5782345 FAX: (886)-3-5778671

Block Diagram



Operating Mode

Mode	CE#	OE#	WE#	LB#	UB#	DQ0~DQ7	DQ8~DQ15
Read	L	L	H	L	L	D _{OUT}	D _{OUT}
				H	L	High-Z	D _{OUT}
				L	H	D _{OUT}	High-Z
Write	L	X	L	L	L	D _{IN}	D _{IN}
				H	L	High-Z	D _{IN}
				L	H	D _{IN}	High-Z
Output Deselect	L	H	H	X	X	High-Z	High-Z
	L	X	X	H	H		
Standby	H	X	X	X	X	High-Z	High-Z
	X	X	X	X	X		

Note: X = don't care. H=logic high. L=logic low.

Absolute Maximum Ratings

Supply voltage, V _{DD}	-0.3 to +4.6V
Input voltages, V _{IN}	-0.3 to +4.6V
Input and output voltages, V _{I/O}	-0.5 to V _{DD} +0.5V
Operating temperature, T _{OPR}	-40 to +85°C
Storage temperature, T _{STRG}	-55 to +150°C
Soldering Temperature (10s), T _{SOLDER}	240°C
Power dissipation, P _D	0.6 W

DC Recommended Operating Conditions (Ta=-40°C to 85°C)

Symbol	Parameter	Min	Typ	Max	Unit
V _{DD}	Power Supply Voltage	2.3	-	3.6	V
V _{IH}	Input High Voltage	2.2	-	V _{DD} + 0.3 ⁽¹⁾	V
V _{IL}	Input Low Voltage	-0.3 ⁽²⁾	-	0.6	V
V _{DR}	Data Retention Supply Voltage	1.0	-	3.6	V

Note:

(1) Overshoot : V_{DD} +2.0V in case of pulse width ≤ 20ns

(2) Undershoot : -2.0V in case of pulse width ≤ 20ns

DC Characteristics (Ta = -40°C to 85°C, V_{DD} = 2.3V to 3.6V)

Parameter	Symbol	Test Conditions		Min	Typ*	Max	Unit	
Input low current	I _{IL}	I _{IN} = 0V to V _{DD}		- 1	-	1	μA	
Output low voltage	V _{OL}	I _{OL} = 2.1 mA		-	-	0.4	V	
Output high voltage	V _{OH}	I _{OH} = -1.0 mA		V _{DD} - 0.15	-	-	V	
Operating current	I _{DD1}	CE# = V _{IL} and I _{OUT} = 0mA Other Input = V _{IH} / V _{IL}	Cycle time = min	V _{DD} = 3.6 V	-	15	25	mA
				V _{DD} = 2.7 V	-	10	15	
				V _{DD} = 2.3 V	-	7	12	
	I _{DD2}		Cycle time = 1μs	-	-	5		
Standby current	I _{DDS1}	CE# = V _{IH}		-	-	0.5	mA	
	I _{DDS2}	CE# ≥ V _{DD} - 0.2V	-70/85	V _{DD} = 3.6 V	-	1	10	μA
				V _{DD} = 2.7 V	-	0.8	5	
				V _{DD} = 2.3 V	-	0.5	3	
			-70E/85E	V _{DD} = 3.6 V	-	5	80	

Notes:

* Typical value are measured at Ta = 25°C.

Capacitance (Ta = 25°C; f = 1 MHz)

Parameter	Symbol	Min	Typ	Max	Unit	Test Conditions
Input capacitance	C _{IN}	-	-	10	pF	V _{IN} = GND
Output capacitance	C _{OUT}	-	-	10	pF	V _{OUT} = GND

Notes: This parameter is periodically sampled and is not 100% tested.

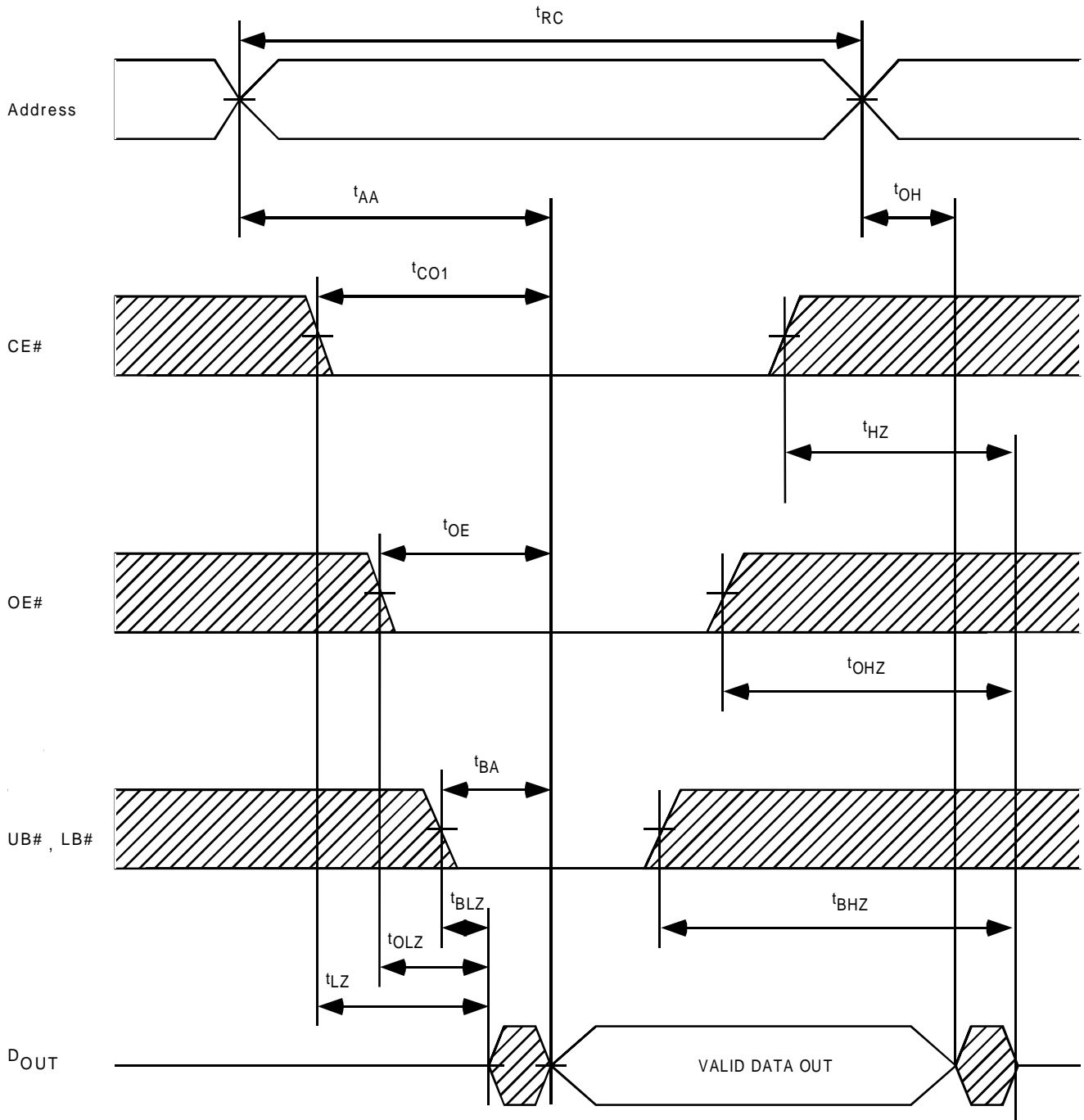
AC Characteristics and Operating Conditions (Ta = -40°C to 85°C, V_{DD} = 2.3V to 3.6V)

Read Cycle						
Symbol	Parameter	EM564166				Unit
		-85		-70		
		Min	Max	Min	Max	
t _{RC}	Read cycle time	85	–	70	–	ns
t _{AA}	Address access time	–	85	–	70	
t _{CO1}	Chip Enable (CE#) Access Time	–	85	–	70	
t _{OE}	Output enable access time	–	45	–	35	
t _{BA}	Data Byte Control Access Time	–	45	–	35	
t _{LZ}	Chip Enable Low to Output in Low-Z	10	–	10	–	
t _{OLZ}	Output enable Low to Output in Low-Z	3	–	3	–	
t _{BLZ}	Data Byte Control Low to Output in Low-Z	5	–	5	–	
t _{HZ}	Chip Enable High to Output in High-Z	–	35	–	25	
t _{OHZ}	Output Enable High to Output in High-Z	–	35	–	25	
t _{BHZ}	Data Byte Control High to Output in High-Z	–	35	–	25	
t _{OH}	Output Data Hold Time	10	–	10	–	
Write Cycle						
Symbol	Parameter	EM564166				Unit
		-85		-70		
		Min	Max	Min	Max	
t _{WC}	Write cycle time	85	–	70	–	ns
t _{WP}	Write pulse width	55	–	55	–	
t _{CW}	Chip Enable to end of write	70	–	60	–	
t _{BW}	Data Byte Control to end of Write	70	–	60	–	
t _{AS}	Address setup time	0	–	0	–	
t _{WR}	Write Recovery time	0	–	0	–	
t _{WHZ}	WE# Low to Output in High-Z	–	35	–	30	
t _{OW}	WE# High to Output in Low-Z	5	–	5	–	
t _{DS}	Data Setup Time	35	–	30	–	
t _{DH}	Data Hold Time	0	–	0	–	

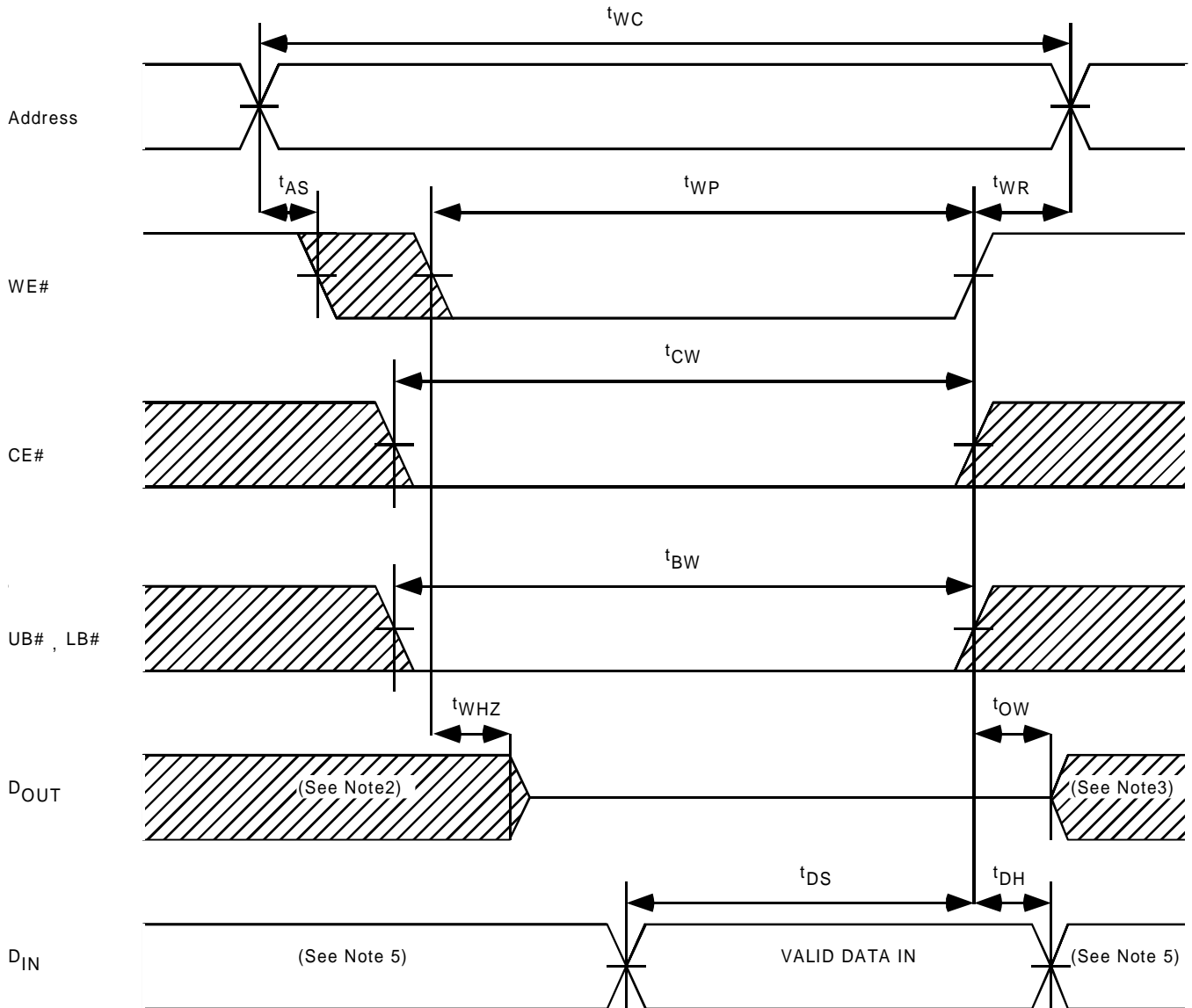
AC Test Condition

- Output load : 50pF + one TTL gate
- Input pulse level : 0.4V, 2.4V
- Timing measurements : 0.5 x V_{DD}
- t_R, t_F : 5ns

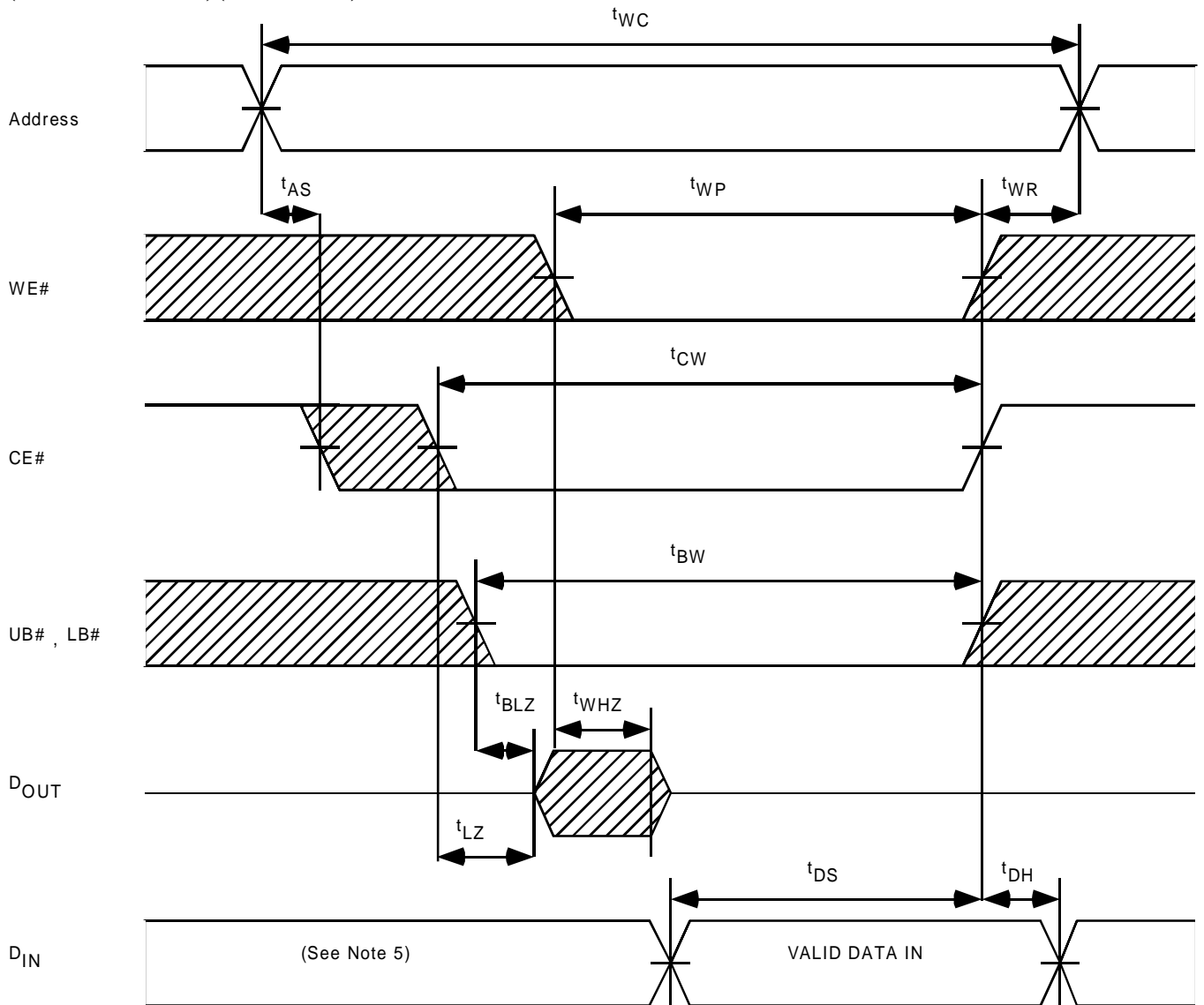
Read Cycle (See Note 1)



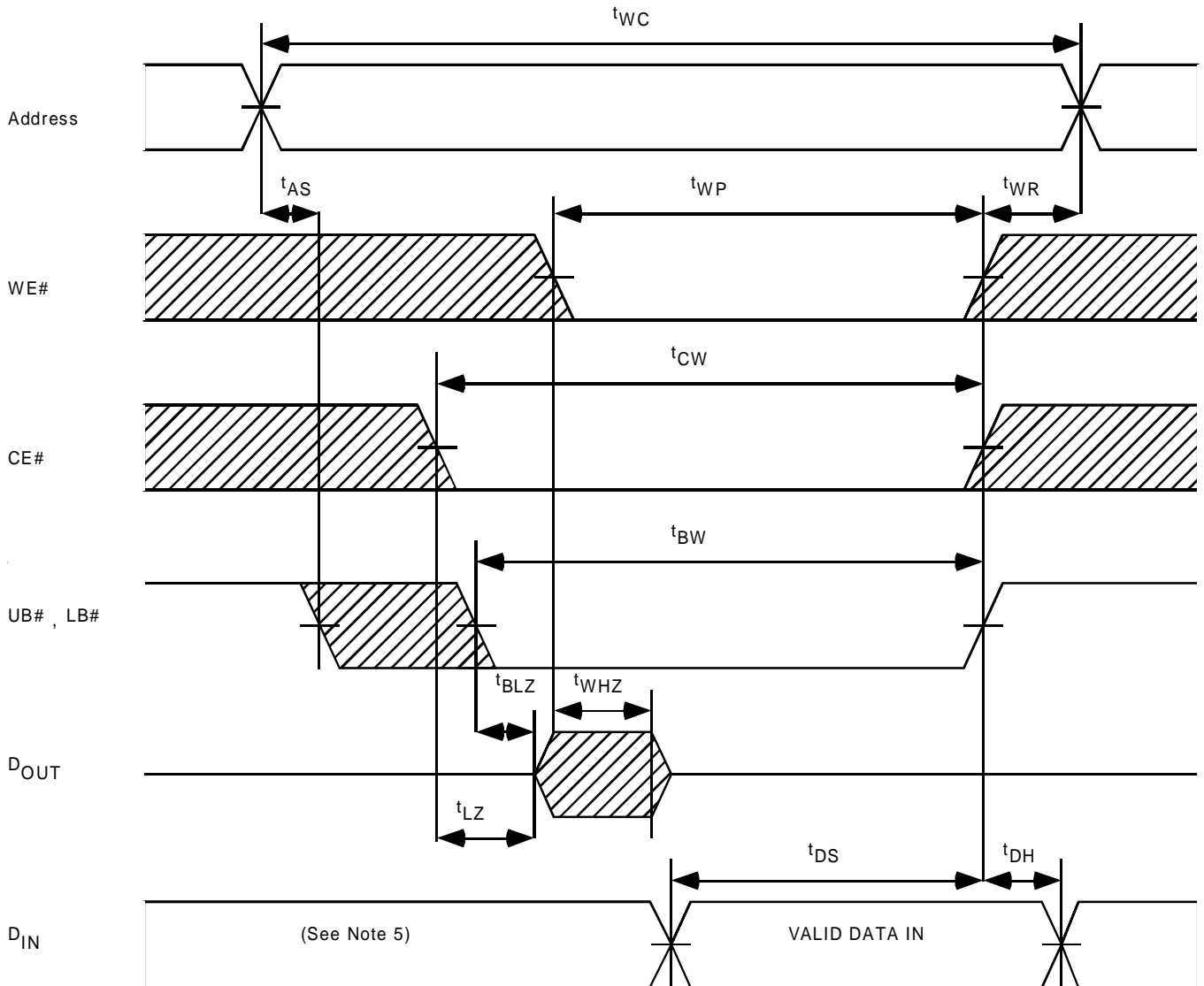
Write Cycle1 (WE# Controlled)(See Note 4)



Write Cycle 2 (CE# Controlled)(See Note 4)



Write Cycle3 (UB#, LB# Controlled)(See Note 4)



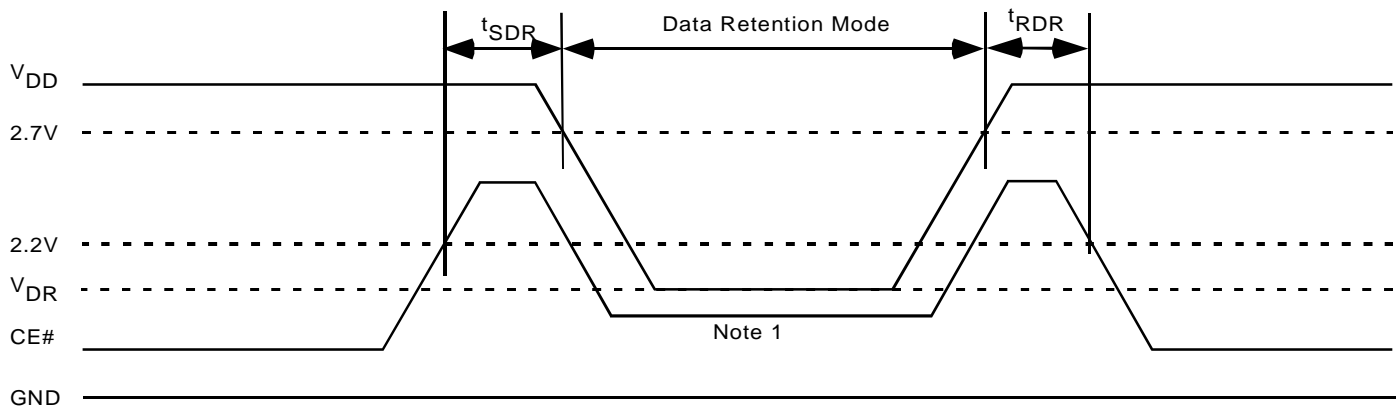
Note:

1. WE# remains HIGH for the read cycle.
2. If CE# goes LOW with or after WE# goes LOW, the outputs will remain at high impedance.
3. If CE# goes HIGH coincident with or before WE# goes HIGH, the outputs will remain at high impedance.
4. If OE# is HIGH during the write cycle, the outputs will remain at high impedance.
5. Because I/O signals may be in the output state at this time, input signals of reverse polarity must not be applied.

Data Retention Characteristics (Ta = -40°C to 85°C)

Symbol	Parameter		Min	Typ	Max	Unit
V _{DR}	Data Retention Supply Voltage	CE# ≥ V _{DD} - 0.2V, VIN ≥ V _{DD} - 0.2V or VIN ≤ 0.2V	1.0	–	3.6	V
I _{DR}	Data Retention Current	V _{DD} = 1.0V, CE# ≥ V _{DD} - 0.2V, VIN ≥ V _{DD} - 0.2V or VIN ≤ 0.2V	–	0.5	3.5	μA
t _{SDR}	Chip Deselect to Data Retention Mode Time		0	–	–	ns
t _{RDR}	Recovery Time		t _{RC}	–	–	ns

CE# Controlled Data Retention Mode



Note:

1. CE# ≥ V_{DD} - 0.2V or UB# = LB# ≥ V_{DD} - 0.2V

Package Diagrams

48-Ball (6mm x 8mm) BGA

Units in mm

