
EM83040 LCD driver

1. General description

The EM83040 is a dot matrix LCD driver which is fabricated by low power CMOS technology. This chip includes 80- bits shift register , 80 bits data latch and 80 bits level driver. A LCD RAM inside can be mapping to LCD signal. It converts RAM data to parallel data and output lcd waveform to LCD.

2. Features

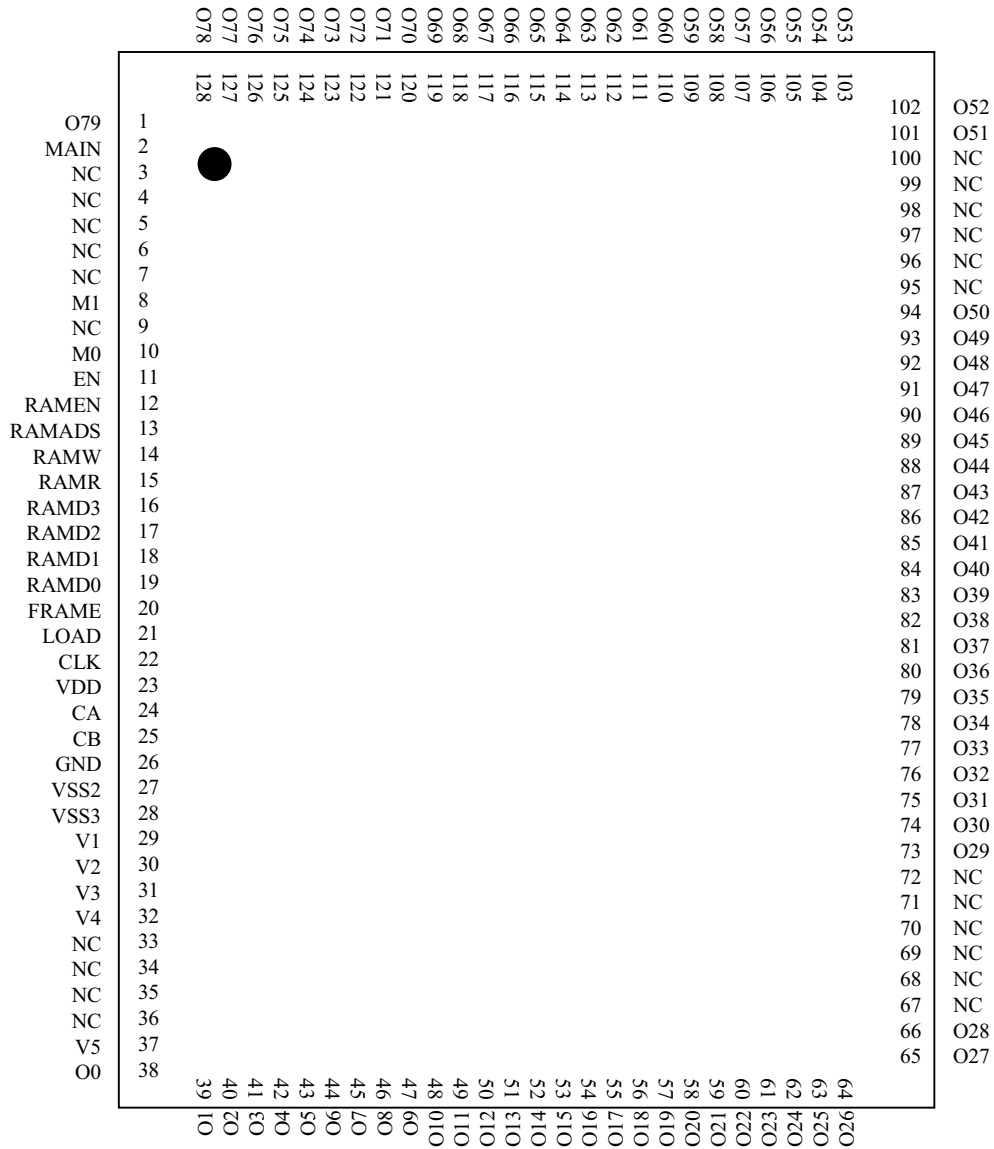
- (1) Supply power 2.4~6V
- (2) Internal RAM : 2.5k x 4 bits
- (3) RAM can be controlled by eight signals including four bit data bus.
- (4) LCD drive voltage :<18V
- (5) Duty: 1/32, 1/48, 1/80
- (6) Bias voltage can be supplied externally
- (7) Build in DC converter double and triple
- (8) Modularized function: connect to another 83040 to extent LCD matrix
- (9) One DC converter enabled and other 83040 can shared with this.
- (10) Chip form (EM83040H), 128 pin package (14mm x 20mm EM83040AQ), 160 pin package (EM83040BQ)

3. Application

- (1) Data Bank
- (2) LCD toy
- (3) Education computer

4.Pin assignment

EM83040AQ





EM83040BQ

NC	121	120	NC
NC	122	119	NC
NC	123	118	NC
NC	124	117	NC
NC	125	116	NC
051	126	115	NC
052	127	114	NC
053	128	113	NC
054	129	112	NC
055	130	111	NC
056	131	110	O50
057	132	109	O49
058	133	108	O48
059	134	107	O47
060	135	106	O46
061	136	105	O45
062	137	104	O44
063	138	103	O43
064	139	102	O42
065	140	101	O41
066	141	100	O40
067	142	99	O39
068	143	98	O38
069	144	97	O37
070	145	96	O36
071	146	95	O35
072	147	94	O34
073	148	93	O33
074	149	92	O32
075	150	91	O31
076	151	90	O30
077	152	89	O29
078	153	88	NC
079	154	87	NC
MAIN	155	86	NC
M1	156	85	NC
NC	157	84	NC
NC	158	83	NC
NC	159	82	NC
NC	160	81	NC
1		80	CN
NC		79	CN
NC		78	CN
NC		77	CN
NC		76	CN
NC		75	820
M0		74	L20
EN		73	920
RAMEN		72	520
RAMADS		71	620
RAMW		70	620
RAMR		69	620
RAMD3		68	120
RAMD2		67	020
RAMD1		66	610
RAMD0		65	810
FRAME		64	L10
LOAD		63	910
CLK		62	510
VDD		61	610
CA		60	610
CB		59	210
GND		58	110
VSS2		57	010
VSS3		56	60
V1		55	80
V2		54	L0
V3		53	90
NC		52	50
NC		51	60
NC		50	60
NC		49	20
NC		48	10
NC		47	00
NC		46	5A
NC		45	6A
NC		44	CN
NC		43	CN
NC		42	CN
NC		41	CN

5. Block diagram

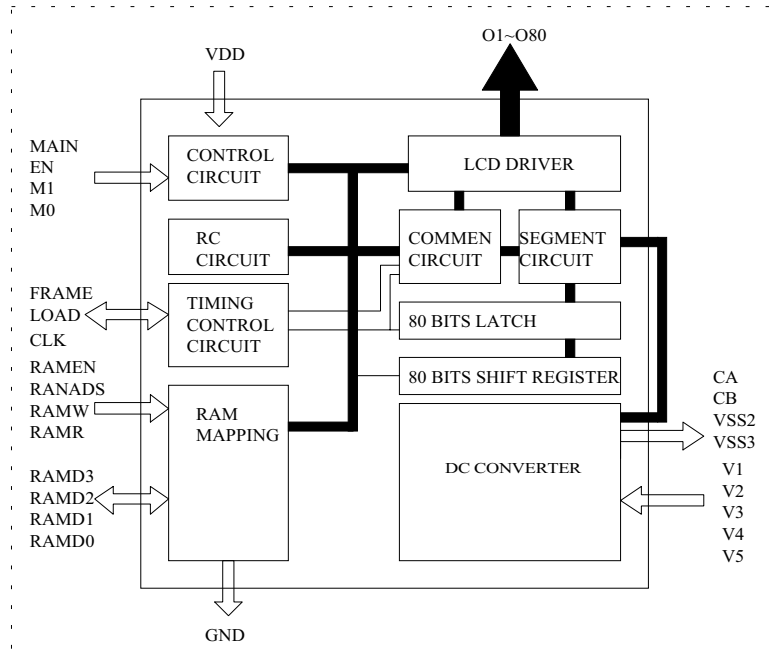


Fig2

6.Pin description

VDD	Power	
GND	power	Ground
VSS3	Power	EN=0 and MAIN=1, 2*VDD output, EN=1 ,VSS3=VDD
VSS2	Power	EN=0 and MAIN=1, 3*VDD output, EN=1, VSS2=VDD
MAIN	I	Master or slave control signal. MAIN=1 ,master unit MAIN=0 , slave unit
EN	I	This pin control whole chip power. This chip will work when this pin is connectted to ground. And whole chip will disable when connect to VDD voltage. EN=0 and MAIN=1 the chip will generate VSS2, VSS3, FRAME, LOAD, CLK signal and internal RC clock. EN=1, standby mode
M1	I	Mode select
M0	I	Mode select
RAMEN		RAM read and write control signal. 1 => can not read and write. 0=> can read and write.
RAMADS		RAM data select signal 1=> RAM Data , 0=>Address
RAMW		RAM write signal, low write
RAMR		RAM read signal, low read
RAMD3~RAMD0		RAM data or address bus
CLK	I/O	System clock. MAIN=1 , the master unit will output system clock. MAIN=0 , the slave will accept the clock from master unit.
LOAD	I/O	LCD load signal between one COMMON signal to another . MAIN=1 , the master unit will output LOAD signal. MAIN=0 , the slave will accept the signal from master unit.
FRAME	I/O	LCD frame control . MAIN=1 , the master unit will output FRAME signal. MAIN=0 , the slave will accept the signal from master unit.
CA	I	Coupling capacitor
CB	I	Coupling capacitor
V1~V5	I	Reference voltage input ,highest V1..lowest V5
O1~O80	O	LCD waveform output

7.Function description

(1)User can use MAIN pin to chose master unit or slave unit.

MAIN	Unit	Function
1	MASTER	Generate these signals Clk, Frame, Load, VSS2, VSS3, Internal RC clock
0	SLAVE	Accept these signals Clk, Frame, Load, V1, V2, V3, V4, V5

(2)User can use M1,M2 to chose four modes. As followed

MASTER	MAIN	M1	M0	Segment	Common	Ps.	
Mode1	1	0	0	Reserved for test		M1, M0 should as same as master unit	
Mode2	1	0	1		O(80:1)=C(80:1)		
Mode3	1	1	0	O(32:1)=S(32:1)	O(80:33)=C(48:1)		
Mode4	1	1	1	O(48;1)=S(48:1)	O(80:49)=C(32:1)		
SLAVE	MAIN	M1	M0	Segment	Common		Ps.
Mode1	0	0	0	Reserved for test			
Mode2	0	0	1	O(80:1)=S(80:1)			
Mode3	0	1	0	O(80:1)=S(80:1)			
Mode4	0	1	1	O(80:1)=S(80:1)			
				Ps: S=segment	C=common		

(3)RAM control

Write mode

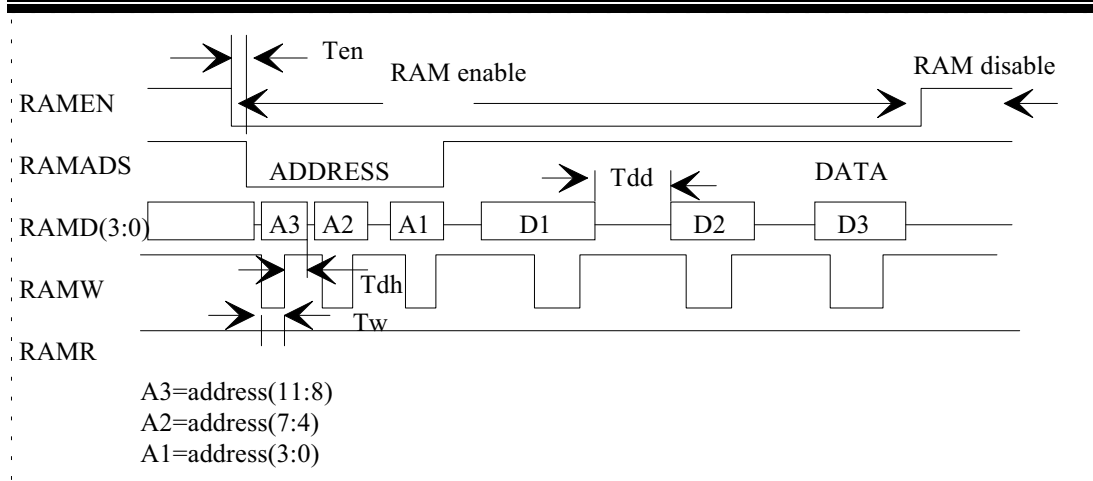


Fig3

LCD RAM can be written or read with control signal. The RAMEN pin can select a RAM which can be read or write . The RAMADS pin can select whether RAMD(3:0) are data or address of RAM. At the address mode ,RAMADS is low and user should sent address three times. From address (11:8) to address (3:0). Then it will go into data mode when RAMADS is high. In data mode , user can sent one or more nibble data which address can be increased by internal counter.

Once the RAMEN pin is high, the RAM can not read and write.

(4)read mode

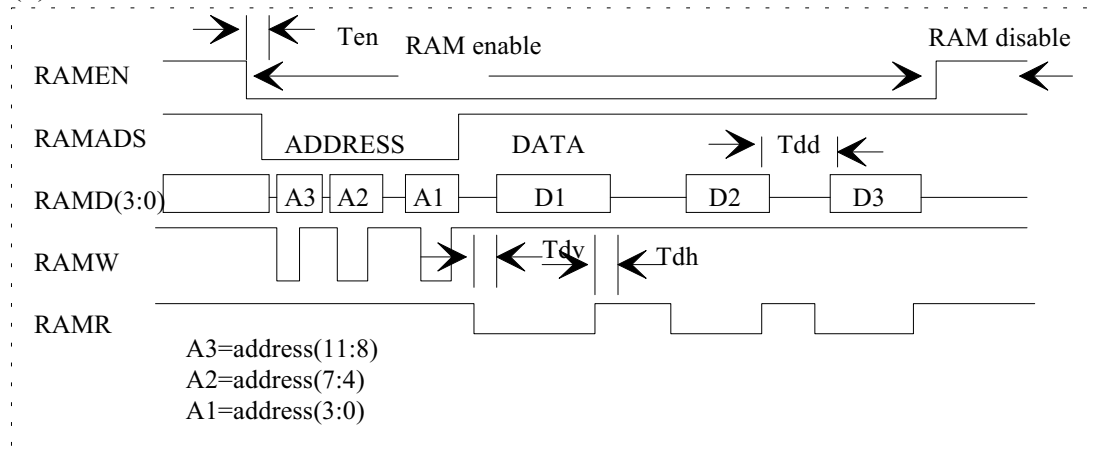


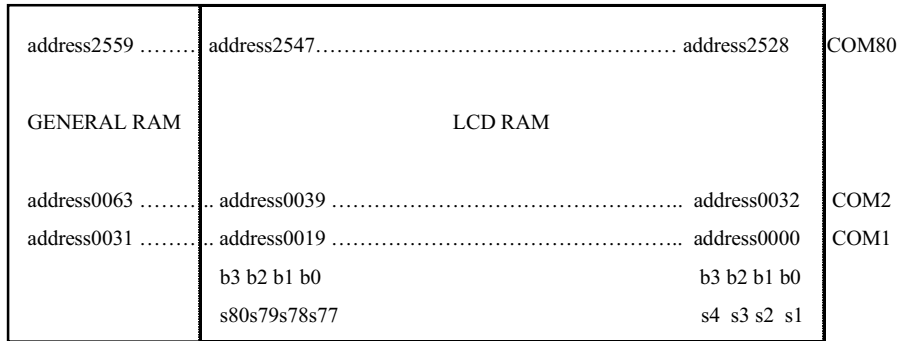
fig4

As same as write mode , user has to sent address three times. And read data from RAM one by one which address can be increased by internal counter. Note!! Be sure to make RAMR low pulse 2 u S (Tdv +data) width and 2 u S (Tdd) high width at least.

(5)RAM mapping

RAM address is from 0 to address 2559

User fill “1” to LCD RAM , LCD driver will generate “light” waveform. Otherwise , it will generate a “dark” waveform. The LCD RAM area is mapped to segment 1 to segment 80 from address 0 to address 19. And user can refer to fig.5 to get the idea of



LCD ram mapping. The other RAM can use as general RAM for data storage.

Fig5

(6)LCD waveform

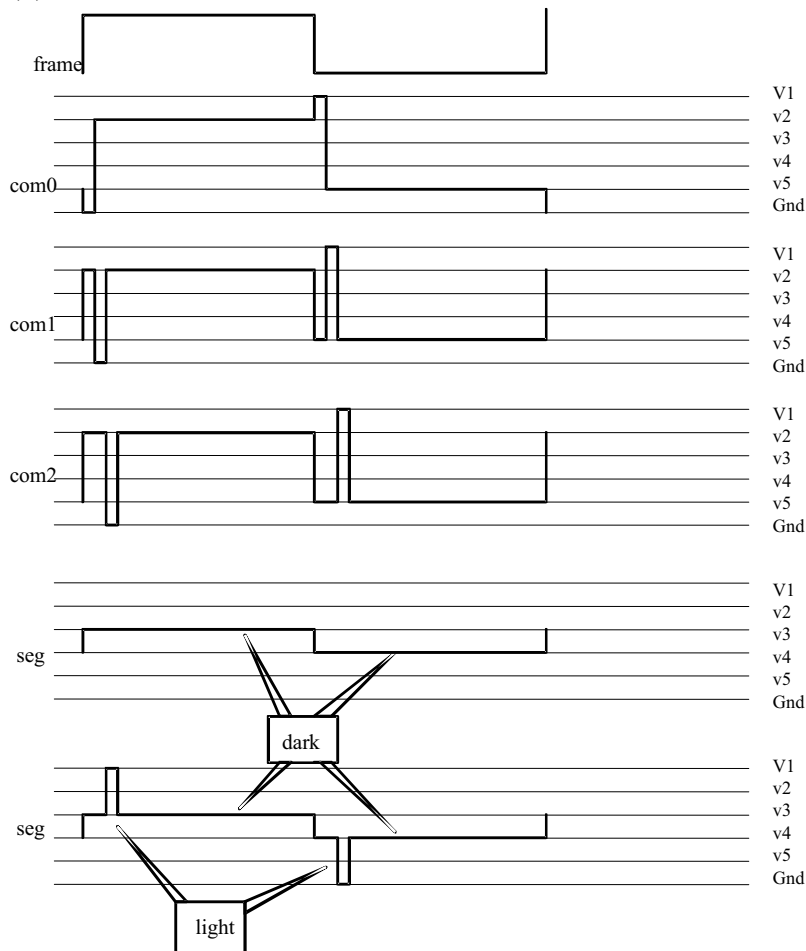


Fig6

8. Absolute rating

RATING	SYMBOL	VALUE	UNIT
DC SUPPLY VOLTAGE	V+	<6	V
INPUT VOLTAGE	V _{in}	-0.5 TO V _{dd} +0.5	V
OPERATING TEMPERATURE RANGE	T _a	0 TO 70	°C

9. DC characteristic

(T_a=0°C ~ 70°C, VDD=3V±5%, VSS=0V)

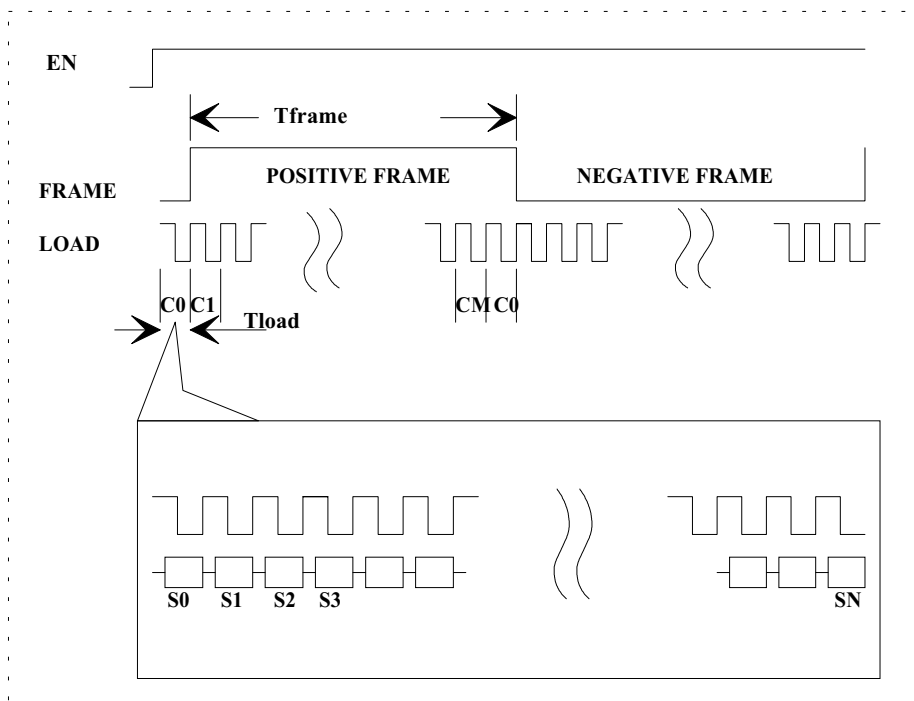
Symbol	Parameter	Condition	Min	Typ	Max	Unit
V _{IH}	Input High Voltage		2.0			V
V _{IL}	Input Low Voltage				0.8	V
I _{oh}	Output High current	VDD=3V	100			μA
I _{ol}	Output low current	VDD=3V	-100			μA
I _{sd}	Standby current	EN=1		1	4	μA
I _{op}	Operating current	EN=0 . MAIN =1 (MASTER) , DC converter enable, 1MHz clock INPUT=VDD		400	600	μA
		EN=0 . MAIN =0 (SLAVE) , DC converter disable, 1MHz clock INPUT = VDD		100	150	μA

10. AC Characteristic

($T_a=0^{\circ}\text{C} \sim 70^{\circ}\text{C}$, $V_{DD}=3\text{V}$, $V_{SS}=0\text{V}$)

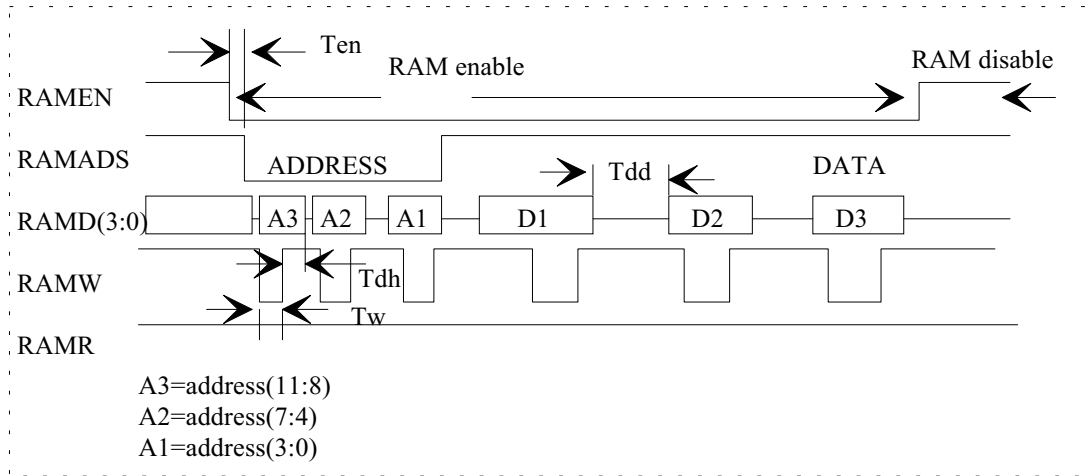
Symbol	Parameter	Min	Typ	Max	Unit
Tframe	Frame period		1/64		S
Tload	Load period		31		uS
Ten	Enable time	30			uS
Tw	Write low pulse	2			uS
Tdh	Data hold time	500			nS
Tdd	Data to data time	2			uS
Tdv	Data valid time	1500			nS

11. AC timing



LCD contrl timing

Fig7



LCD RAM write mode

Fig8

LCD RAM read mode

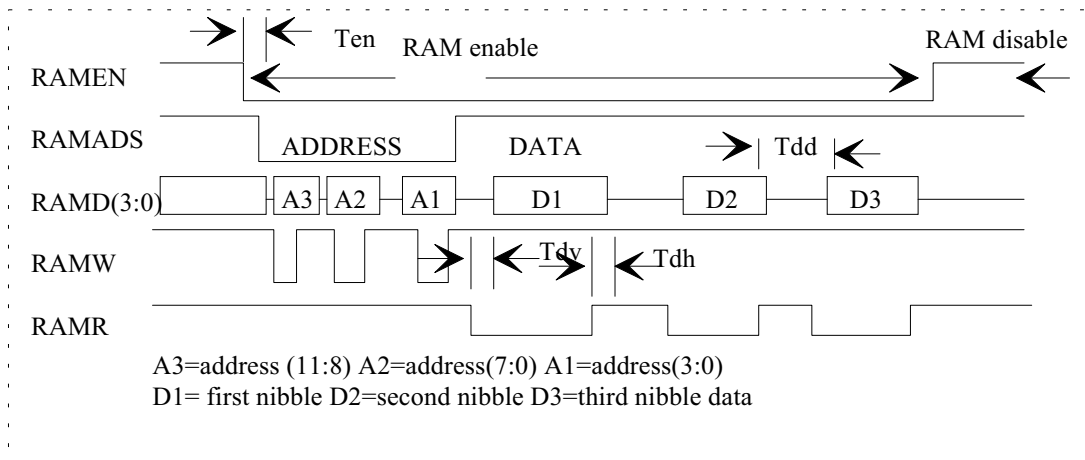


Fig9

12. Application circuit

(1), C32 x S48, 78861+83040

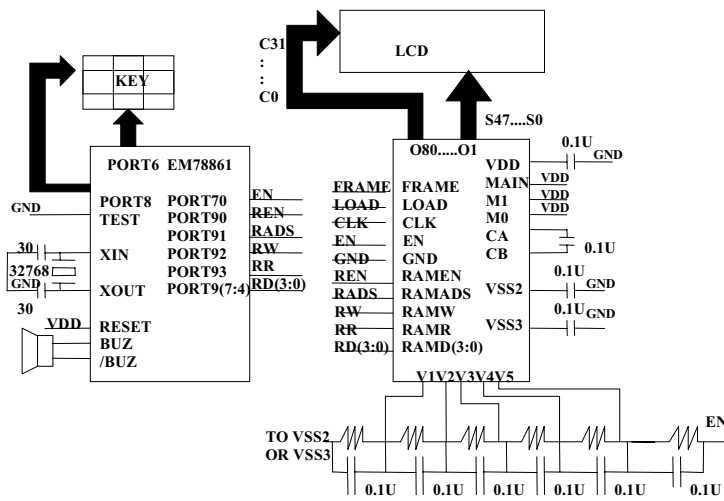


fig10

(2), C32 x S128, 78861 + 83040 + 83040

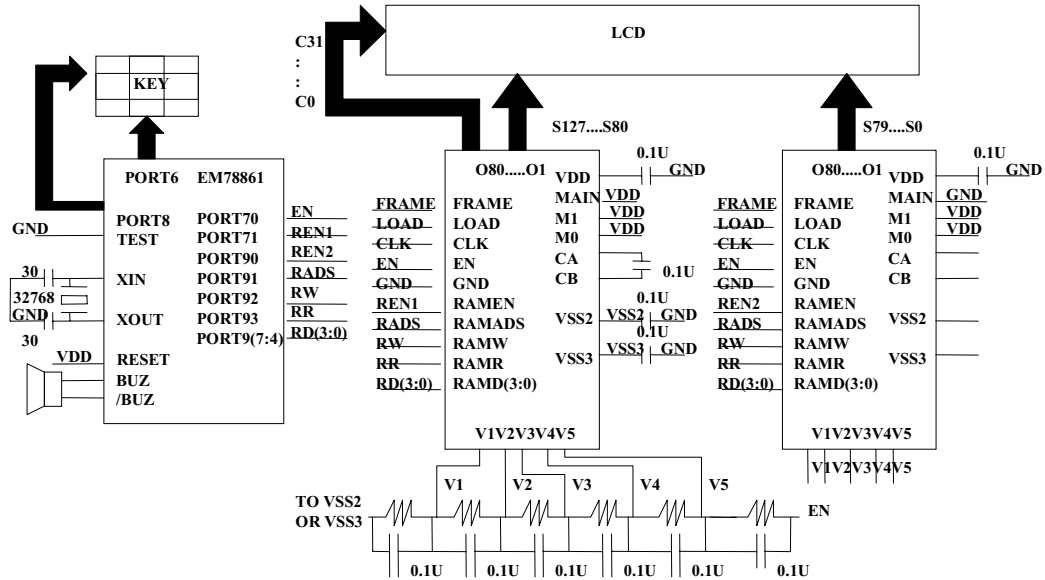


fig11

(3), C48 x S112, 78861 +83040 +83040

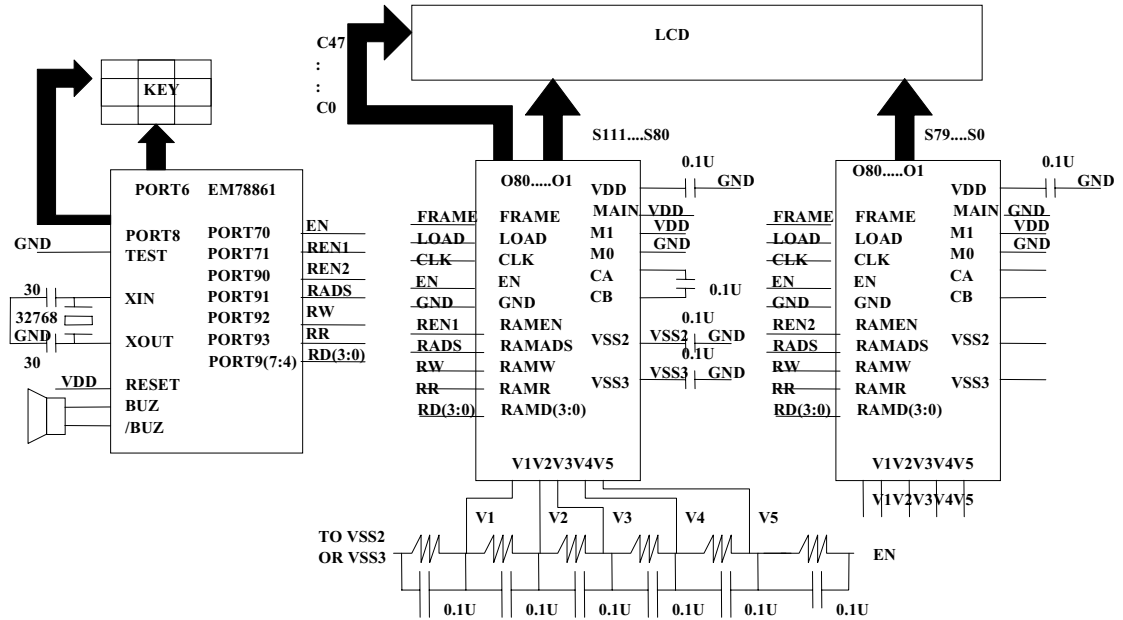


fig12

(4) C80 x S160, 78861 + 83040 +83040 +83040

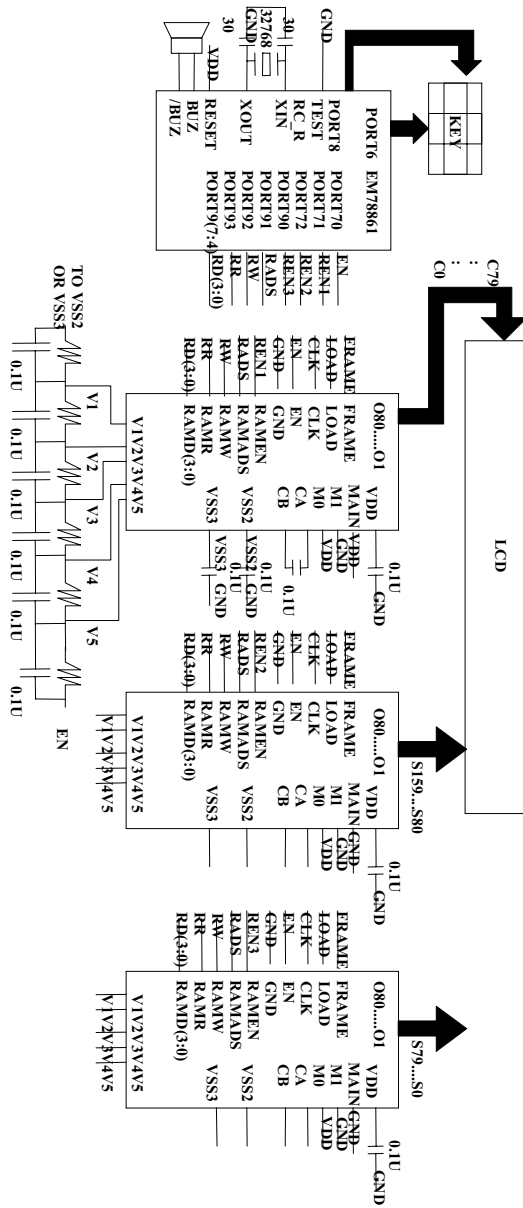
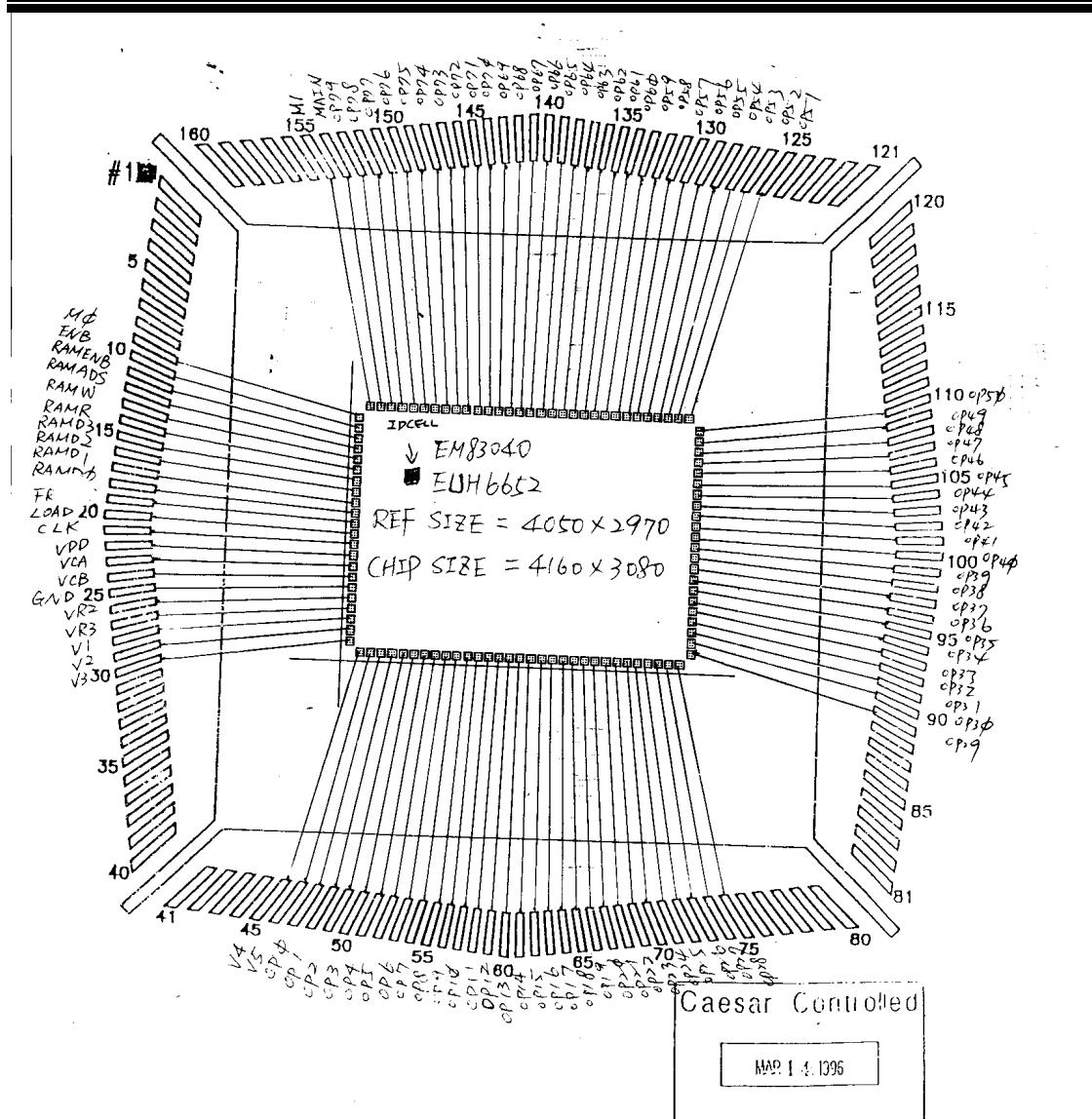


Fig13



euh6652 Pad Name & Cordinates Table			euh6652 Pad Name & Cordinates Table		
Structure Name: EUH6652 Chip Size: 4160 * 3080 UM			Structure Name: EUH6652 Chip Size: 4160 * 3080 UM		
Pin No	Pad Name	Coordinate (X , Y)	Pin No	Pad Name	Coordinate (X , Y)
1			26	VR2	-1920.0 ,-780.0
2			27	VR3	-1920.0 ,-900.0
3			28	V1	-1920.0 ,-1020.0
4			29	V2	-1920.0 ,-1140.0
5			30	V3	-1920.0 ,-1260.0
6			31		
7			32		
8			33		
9	M0	-1920.0 ,1260.0	34		
10	ENB	-1920.0 ,1140.0	35		
11	RAMENB	-1920.0 ,1020.0	36		
12	RAMADS	-1920.0 ,900.0	37		
13	RAMW	-1920.0 ,780.0	38		
14	RAMR	-1920.0 ,660.0	39		
15	RAMD_3_	-1920.0 ,540.0	40		
16	RAMD_2_	-1920.0 ,420.0	41		
17	RAMD_1_	-1920.0 ,300.0	42		
18	RAMD_0_	-1920.0 ,180.0	43		
19	FRAME	-1920.0 ,60.0	44		
20	LOAD	-1920.0 ,-60.0	45	V4	-1800.0 ,-1380.0
21	CLK	-1920.0 ,-180.0	46	V5	-1680.0 ,-1380.0
22	VDD	-1920.0 ,-300.0	47	OP_0_	-1560.0 ,-1380.0
23	VCA	-1920.0 ,-420.0	48	OP_1_	-1440.0 ,-1380.0
24	VCB	-1920.0 ,-540.0	49	OP_2_	-1320.0 ,-1380.0
25	GND	-1920.0 ,-660.0	50	OP_3_	-1200.0 ,-1380.0

euh6652 Pad Name & Cordinates Table		
Structure Name: EUH6652 Chip Size: 4160 * 3080 UM		
Pin No	Pad Name	Coordinate (X , Y)
51	OP_4_	-1080.0 , -1380.0
52	OP_5_	-960.0 , -1380.0
53	OP_6_	-840.0 , -1380.0
54	OP_7_	-720.0 , -1380.0
55	OP_8_	-600.0 , -1380.0
56	OP_9_	-480.0 , -1380.0
57	OP_10_	-360.0 , -1380.0
58	OP_11_	-240.0 , -1380.0
59	OP_12_	-120.0 , -1380.0
60	OP_13_	0.0 , -1380.0
61	OP_14_	120.0 , -1380.0
62	OP_15_	240.0 , -1380.0
63	OP_16_	360.0 , -1380.0
64	OP_17_	480.0 , -1380.0
65	OP_18_	600.0 , -1380.0
66	OP_19_	720.0 , -1380.0
67	OP_20_	840.0 , -1380.0
68	OP_21_	960.0 , -1380.0
69	OP_22_	1080.0 , -1380.0
70	OP_23_	1200.0 , -1380.0
71	OP_24_	1320.0 , -1380.0
72	OP_25_	1440.0 , -1380.0
73	OP_26_	1560.0 , -1380.0
74	OP_27_	1680.0 , -1380.0
75	OP_28_	1800.0 , -1380.0

euh6652 Pad Name & Cordinates Table		
Structure Name: EUH6652 Chip Size: 4160 * 3080 UM		
Pin No	Pad Name	Coordinate (X , Y)
76		
77		
78		
79		
80		
81		
82		
83		
84		
85		
86		
87		
88		
89	OP_29_	1920.0 , -1260.0
90	OP_30_	1920.0 , -1140.0
91	OP_31_	1920.0 , -1020.0
92	OP_32_	1920.0 , -900.0
93	OP_33_	1920.0 , -780.0
94	OP_34_	1920.0 , -660.0
95	OP_35_	1920.0 , -540.0
96	OP_36_	1920.0 , -420.0
97	OP_37_	1920.0 , -300.0
98	OP_38_	1920.0 , -180.0
99	OP_39_	1920.0 , -60.0
100	OP_40_	1920.0 , 60.0



euh6652 Pad Name & Coordinates Table		
Structure Name: EUH6652 Chip Size: 4160 * 3080 UM		
Pin No	Pad Name	Coordinate (X , Y)
101	OP_41_	1920.0 ,180.0
102	OP_42_	1920.0 ,300.0
103	OP_43_	1920.0 ,420.0
104	OP_44_	1920.0 ,540.0
105	OP_45_	1920.0 ,660.0
106	OP_46_	1920.0 ,780.0
107	OP_47_	1920.0 ,900.0
108	OP_48_	1920.0 ,1020.0
109	OP_49_	1920.0 ,1140.0
110	OP_50_	1920.0 ,1260.0
111		
112		
113		
114		
115		
116		
117		
118		
119		
120		
121		
122		
123		
124		
125	OP_51_	1800.0 ,1380.0

euh6652 Pad Name & Coordinates Table		
Structure Name: EUH6652 Chip Size: 4160 * 3080 UM		
Pin No	Pad Name	Coordinate (X , Y)
126	OP_52_	1680.0 ,1380.0
127	OP_53_	1560.0 ,1380.0
128	OP_54_	1440.0 ,1380.0
129	OP_55_	1320.0 ,1380.0
130	OP_56_	1200.0 ,1380.0
131	OP_57_	1080.0 ,1380.0
132	OP_58_	960.0 ,1380.0
133	OP_59_	840.0 ,1380.0
134	OP_60_	720.0 ,1380.0
135	OP_61_	600.0 ,1380.0
136	OP_62_	480.0 ,1380.0
137	OP_63_	360.0 ,1380.0
138	OP_64_	240.0 ,1380.0
139	OP_65_	120.0 ,1380.0
140	OP_66_	0.0 ,1380.0
141	OP_67_	-120.0 ,1380.0
142	OP_68_	-240.0 ,1380.0
143	OP_69_	-360.0 ,1380.0
144	OP_70_	-480.0 ,1380.0
145	OP_71_	-600.0 ,1380.0
146	OP_72_	-720.0 ,1380.0
147	OP_73_	-840.0 ,1380.0
148	OP_74_	-960.0 ,1380.0
149	OP_75_	-1080.0 ,1380.0
150	OP_76_	-1200.0 ,1380.0

