

Ultra High-PSRR, Low-Noise, 300mA CMOS Linear Regulator

General Description

The EMP8130 features ultra-high power supply rejection ratio, low output voltage noise, low dropout voltage, low quiescent current and fast transient response. It guarantees delivery of 300mA output current and supports preset output voltages ranging from 0.8V to 4.0V with 0.1V increment.

Based on its low quiescent current consumption and its less than 1 μ A shutdown mode of logical operation, the EMP8130 is ideal for battery-powered applications. The high power supply rejection ratio of the EMP8130 holds well for low input voltages typically encountered in battery-operated systems. The regulator is stable with small ceramic capacitive loads.

The EMP8130 is available in miniature SOT-23-5, μ DFN-4, SC-70-5, SC-82-4, TSOT-23-5, SOT-23-3 and TDFN-6 package.

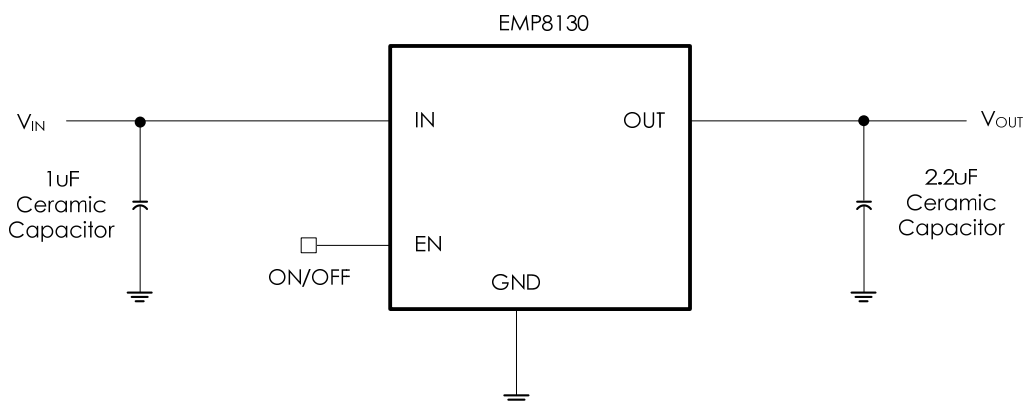
Applications

- Wireless handsets
- PCMCIA cards
- DSP core power
- Hand-held instruments
- Battery-powered systems
- Portable information appliances

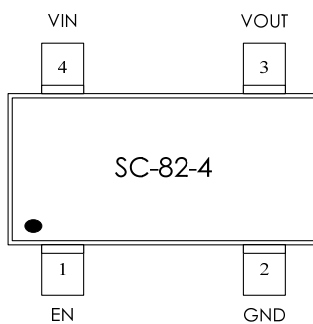
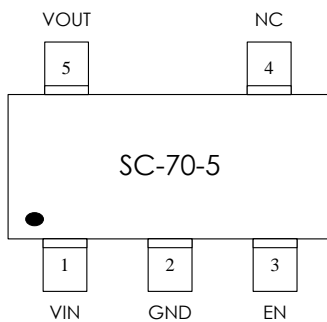
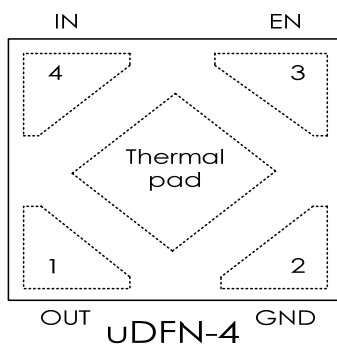
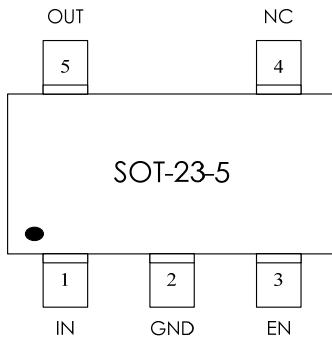
Features

- 300mA guaranteed output current
- 75dB typical PSRR at 1kHz
- 260mV ($V_{OUT}=3.3V$) typical dropout at 300mA
- 52 μ A typical quiescent current
- Less than 1 μ A typical shutdown mode
- Fast line and load transient response
- 1.7V to 5.5V input range
- Auto-discharge during chip disable
- 0.8V to 4.0V output voltage range
- Stable with small ceramic output capacitors
- Fold-back over current protection
- $\pm 1\%$ output voltage tolerance

Typical Application



Connection Diagrams



Order information

EMP8130-XXVN05NRR

XX Output voltage

VN05 SOT-23-5 Package

NRR RoHS & Halogen free package
Rating: -40 to 85°C
Package in Tape & Reel

EMP8130-XXFJ04NRR

XX Output voltage

FJ04 uDFN-4 Package

NRR RoHS & Halogen free package
Rating: -40 to 85°C
Package in Tape & Reel

EMP8130-XXVI05NRR

XX Output voltage

VI05 SC-70-5 Package

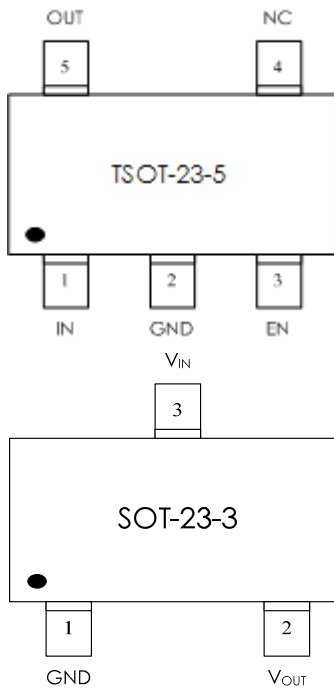
NRR RoHS & Halogen free package
Rating: -40 to 85°C
Package in Tape & Reel

EMP8130-XXVJ04NRR

XX Output voltage

VJ04 SC-82-4 Package

NRR RoHS & Halogen free package
Rating: -40 to 85°C
Package in Tape & Reel



EMP8130-XXVU05NRR

XX Output voltage

VU05 TSOT-23-5 Package

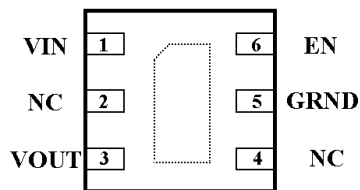
NRR RoHS & Halogen free package
Rating: -40 to 85°C
Package in Tape & Reel

EMP8130-XXVN03NRR

XX Output voltage

VN03 SOT-23-3 Package

NRR RoHS & Halogen free package
Rating: -40 to 85°C
Package in Tape & Reel



EMP8130-XXFK06NRR

XX Output voltage

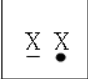
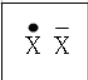
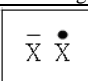
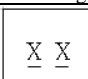
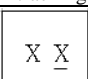
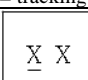
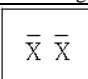
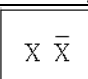
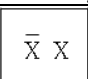
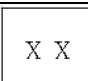
FK06 TDFN-6 Package

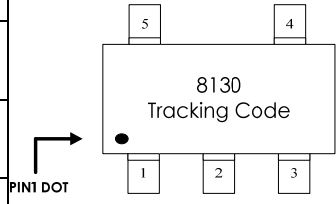
NRR RoHS & Halogen free package
Rating: -40 to 85°C
Package in Tape & Reel

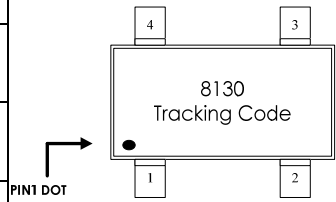
Order, Marking & Packing Information

Package	Vout	Product ID.	Marking	Packing
SOT-23-5	0.8V	EMP8130-08VN05NRR		Tape & Reel 3Kpcs
	1.0V	EMP8130-10VN05NRR		
	1.2V	EMP8130-12VN05NRR		
	1.3V	EMP8130-13VN05NRR		
	1.5V	EMP8130-15VN05NRR		
	1.8V	EMP8130-18VN05NRR		
	2.5V	EMP8130-25VN05NRR		
	2.7V	EMP8130-27VN05NRR		

	2.8V	EMP8130-28VN05NRR		
	3.0V	EMP8130-30VN05NRR		
	3.3V	EMP8130-33VN05NRR		

Package	Vout	Product ID.	Marking	Packing
uDFN-4	0.8V	EMP8130-08FJ04NRR	 X X = tracking code	Tape & Reel 8Kpcs
	1.0V	EMP8130-10FJ04NRR	 X X = tracking code	
	1.2V	EMP8130-12FJ04NRR	 X X = tracking code	
	1.3V	EMP8130-13FJ04NRR	 X X = tracking code	
	1.5V	EMP8130-15FJ04NRR	 X X = tracking code	
	1.8V	EMP8130-18FJ04NRR	 X X = tracking code	
	2.5V	EMP8130-25FJ04NRR	 X X = tracking code	
	2.8V	EMP8130-28FJ04NRR	 X X = tracking code	
	3.0V	EMP8130-30FJ04NRR	 X X = tracking code	
	3.3V	EMP8130-33FJ04NRR	 X X = tracking code	

Package	Vout	Product ID.	Marking	Packing
SC-70-5	0.8V	EMP8130-08VI05NRR	 <p>PIN1 DOT</p>	Tape & Reel 3Kpcs
	1.0V	EMP8130-10VI05NRR		
	1.2V	EMP8130-12VI05NRR		
	1.3V	EMP8130-13VI05NRR		
	1.5V	EMP8130-15VI05NRR		
	1.8V	EMP8130-18VI05NRR		
	2.5V	EMP8130-25VI05NRR		
	2.8V	EMP8130-28VI05NRR		
	3.0V	EMP8130-30VI05NRR		
	3.3V	EMP8130-33VI05NRR		

Package	Vout	Product ID.	Marking	Packing
SC-82-4	0.8V	EMP8130-08VJ04NRR	 <p>PIN1 DOT</p>	Tape & Reel 3Kpcs
	1.0V	EMP8130-10VJ04NRR		
	1.2V	EMP8130-12VJ04NRR		
	1.3V	EMP8130-13VJ04NRR		
	1.5V	EMP8130-15VJ04NRR		
	1.8V	EMP8130-18VJ04NRR		
	2.5V	EMP8130-25VJ04NRR		
	2.8V	EMP8130-28VJ04NRR		
	3.0V	EMP8130-30VJ04NRR		
	3.3V	EMP8130-33VJ04NRR		

Package	Vout	Product ID.	Marking	Packing
TSOT-23-5	0.8V	EMP8130-08VU05NRR		Tape & Reel 3Kpcs
	1.0V	EMP8130-10VU05NRR		
	1.2V	EMP8130-12VU05NRR		
	1.3V	EMP8130-13VU05NRR		
	1.5V	EMP8130-15VU05NRR		
	1.8V	EMP8130-18VU05NRR		
	2.5V	EMP8130-25VU05NRR		
	2.8V	EMP8130-28VU05NRR		
	3.0V	EMP8130-30VU05NRR		
	3.3V	EMP8130-33VU05NRR		

Package	Vout	Product ID.	Marking	Packing
SOT-23-3	1.2V	EMP8130-12VN03NRR		Tape & Reel 3Kpcs
	1.8V	EMP8130-18VN03NRR		
	2.8V	EMP8130-28VN03NRR		
	3.0V	EMP8130-30VN03NRR		
	3.3V	EMP8130-33VN03NRR		

Package	Vout	Product ID.	Marking	Packing
TDFN-6	1.2V	EMP8130-12FK06NRR		Tape & Reel 3Kpcs
	1.8V	EMP8130-18FK06NRR		
	2.8V	EMP8130-28FK06NRR		
	3.0V	EMP8130-30FK06NRR		
	3.3V	EMP8130-33FK06NRR		

Pin Functions

Name	SOT-23-5	uDFN-4	SC-70-5	SC-82-4	TSOT-23-5	SOT-23-3	TDFN-6	Function
IN	1	4	1	4	1	3	1	Supply Voltage Input. Require a minimum input capacitor of close to 1 μ F ceramic capacitor to ensure stability and sufficient decoupling from the ground pin.
GND	2	2	2	2	2	1	5	Ground Pin.
EN	3	3	3	1	3	N/A	6	Enable Input. Enable the regulator by pulling the EN pin High. To keep the regulator on during normal operation, connect the EN pin to V_{IN} . The EN pin must not exceed V_{IN} under all operating conditions.
NC	4	N/A	4	N/A	4	N/A	2,4	No Connected.
OUT	5	1	5	3	5	2	3	Regulated Output Voltage Pin. A small 2.2 μ F ceramic capacitor is needed from this pin to ground to assure stability.
Thermal Pad	N/A	YES	N/A	N/A	N/A	N/A	YES	The thermal pad with large thermal land area on the PCB will helpful chip power dissipation, to connect it to GND together normally.

Functional Block Diagram

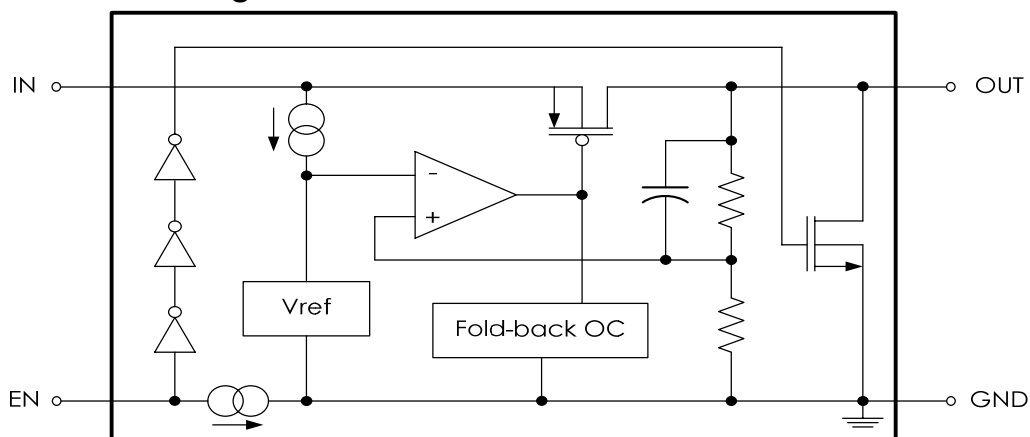


FIG.1. Functional Block Diagram of EMP8130

Absolute Maximum Ratings (Notes 1, 2)

IN, EN, OUT	-0.3V to 6.5V	Lead Temperature (Soldering, 10 sec.)	260°C
Power Dissipation	(Note 6)	ESD Rating	
Storage Temperature Range	-65°C to 150°C	Human Body Model	2KV
Junction Temperature (T _J)	150°C	Machine Model	200V

Operating Ratings (Note 1, 2)

Supply Voltage	1.7V to 5.5V	Operating Temperature Range	-40°C to 85°C
----------------	--------------	-----------------------------	---------------

Thermal Resistance:

Symbol	θ_{JA} (Note 3)	θ_{JC} (Note 4)
SOT-23-5	152(°C/W)	81(°C/W)
uDFN-4	110(°C/W)	23(°C/W)
SC-70-5	331(°C/W)	115(°C/W)
SC-82-4	331(°C/W)	115(°C/W)
TSOT-23-5	152(°C/W)	50(°C/W)
SOT-23-3	250(°C/W)	81(°C/W)
TDFN-6	165(°C/W)	20(°C/W)

Electrical Characteristics

Unless otherwise specified, all limits guaranteed for V_{IN} = V_{OUT} + 1V (Note 5), V_{EN} = V_{IN}, C_{IN} = 1μF, C_{OUT} = 2.2μF, T_A = 25°C.

Boldface limits apply for the operating temperature extremes: -40°C and 85°C.

Symbol	Parameter	Conditions	Min	Typ (Note 7)	Max	Units
V _{IN}	Input Voltage		1.7		5.5	V
V _{OUT}	Output Voltage		0.8		4.0	V
ΔV _{OUTL}	Output Voltage Tolerance	V _{out} > 2.0V, T = 25	X0.99		X1.01	V
		V _{out} ≤ 2.0V, T = 25	-20		+20	mV
		V _{out} > 2V, -40~85C	X0.97		X1.03	V
		V _{out} ≤ 2V, -40~85C	-60		60	mV
I _{OUT}	Maximum Output Current	Average DC Current Rating	300			mA
I _{cl}	Current Limit	V _{in} = V _{out} + 1V		420		mA
I _{sc}	Short Current Limit			40		mA
I _q	Quiescent Current	I _{OUT} = 0mA		52	75	μA
I _{sd}	Shutdown Supply Current	V _{OUT} = 0V, EN = GND		0.2	1	μA
V _{DO}	Dropout Voltage (Note 5)	I _{OUT} = 300mA, V _{out} = 0.8V		860		mV
		I _{OUT} = 300mA, V _{out} = 1.2V		580		
		I _{OUT} = 300mA, V _{out} = 1.5V		440		
		I _{OUT} = 300mA, V _{out} = 1.8V		380		
		I _{OUT} = 300mA, V _{out} = 2.8V		290		
		I _{OUT} = 300mA, V _{out} = 3.3V		260		
ΔV _{OUT}	Line Regulation	I _{OUT} = 1mA, (V _{OUT} + 1V) ≤ V _{IN} ≤ 5.5V		0.02	0.1	%/V
	Load Regulation	1mA ≤ I _{OUT} ≤ 300mA		10	30	mV
PSRR	Power supply rejection ratio	f = 1kHz, Ripple 0.2 Vp-p, V _{in} = Set V _{out} + 1V, I _{out} = 30mA		75		dB

e_n	Output Voltage Noise	$V_{OUT}=0.8V, I_{OUT}=30mA,$ $10Hz \leq f \leq 100kHz$		40		μV_{RMS}
V_{EN}	EN Input Threshold		1.0			V
I_{EN}	EN Input Bias Current	EN=GND or VIN		0.1	1	μA

Note 1: Absolute Maximum ratings indicate limits beyond which damage may occur. Electrical specifications do not apply when operating the device outside of its rated operating conditions.

Note 2: All voltages are with respect to the potential at the ground pin.

Note 3: θ_{JA} is measured in the natural convection at $T_A=25^\circ C$ on a high effective thermal conductivity test board (2 layers, 2SOP).

Note 4: θ_{JC} represents the resistance to the heat flows the chip to package top case.

Note 5: Dropout voltage is measured by reducing V_{IN} until V_{OUT} drops 100mV from its nominal value at $V_{IN}-V_{OUT} = 1V$.

Note 6: Maximum Power dissipation for the device is calculated using the following equations:

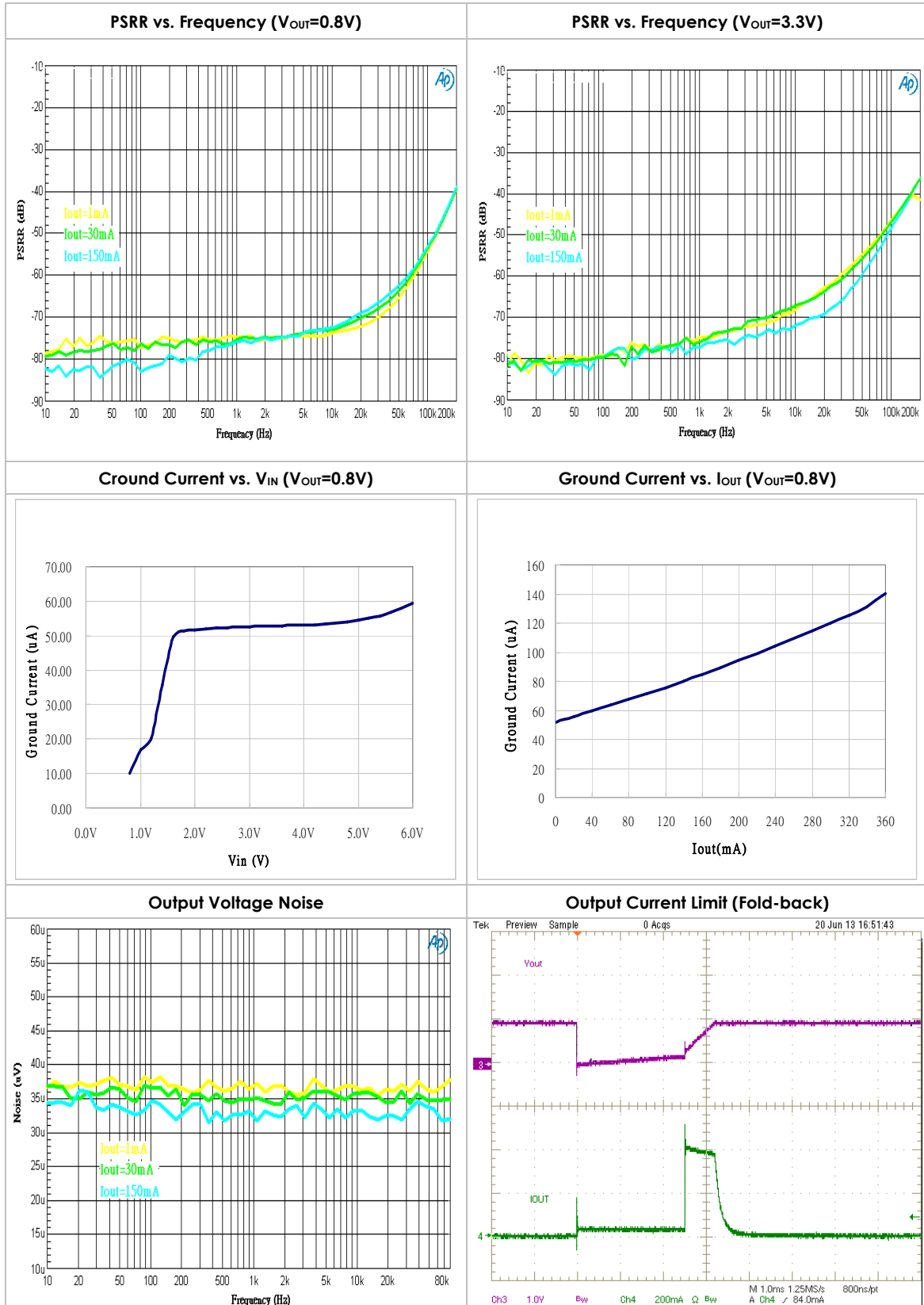
$$P_D = \frac{T_{J(MAX)} - T_A}{\theta_{JA}}$$

Where $T_{J(MAX)}$ is the maximum junction temperature, T_A is the ambient temperature, and θ_{JA} is the junction-to-ambient thermal resistance. E.g. for the SOT-23-5 package $\theta_{JA} = 152^\circ C/W$, $T_{J(MAX)} = 150^\circ C$ and using $T_A = 25^\circ C$, the maximum power dissipation is found to be 0.82W. The derating factor ($-1/\theta_{JA}$) = $-6.6mW/^\circ C$, thus below $25^\circ C$ the power dissipation figure can be increased by 6.6mW per degree, and similarity decreased by this factor for temperatures above $25^\circ C$.

Note 7: Typical values represent the most likely parametric norm.

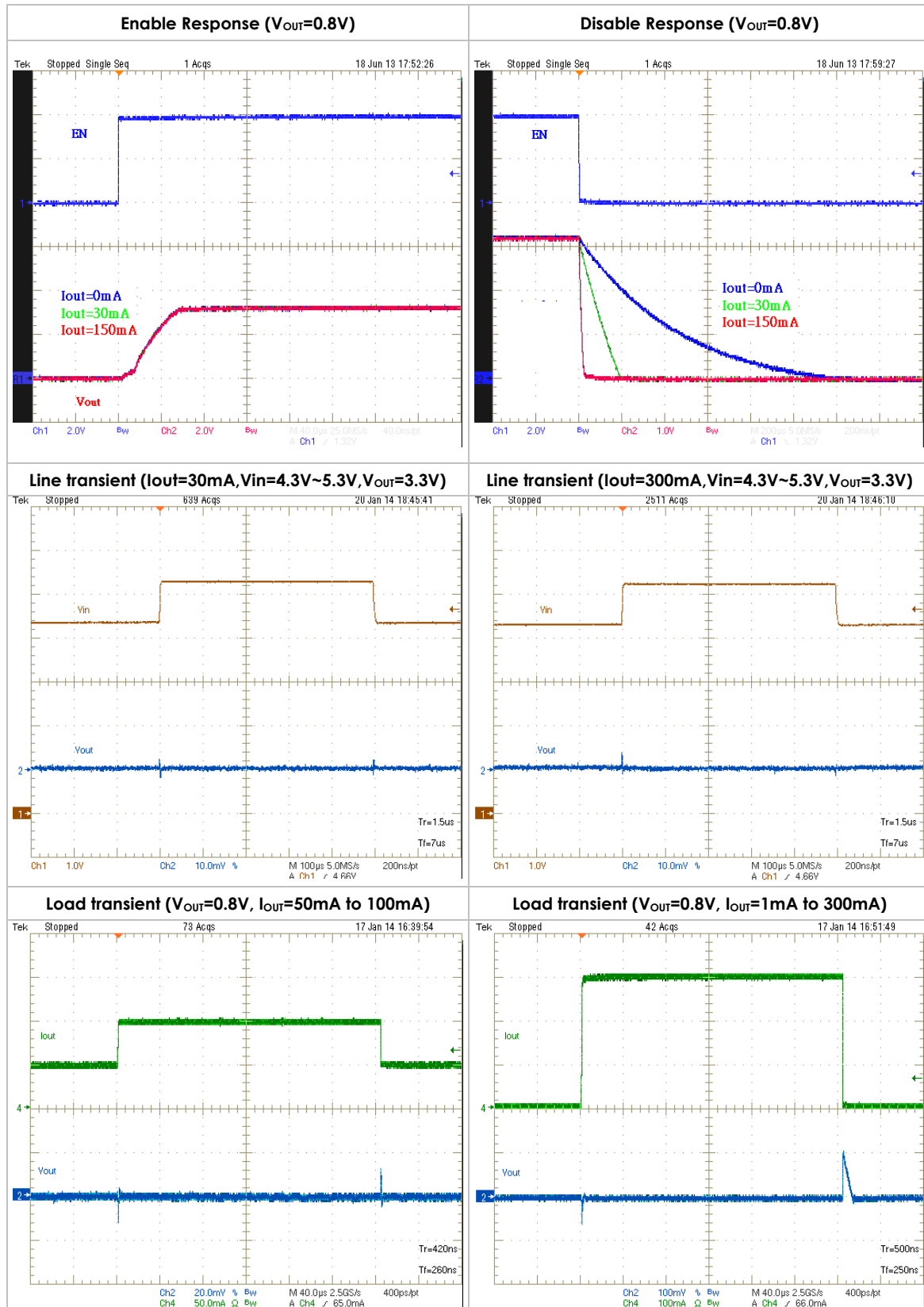
Typical Performance Characteristics

Unless otherwise specified, $V_{IN} = V_{OUT(NOM)} + 1V$, $V_{EN}=V_{IN}$, $C_{IN} = 1\mu F$, $C_{OUT} = 2.2\mu F$, $T_A = 25^\circ C$



Typical Performance Characteristics (cont.)

Unless otherwise specified, $V_{IN} = V_{OUT(NOM)} + 1V$, $V_{EN}=V_{IN}$, $C_{IN} = 1\mu F$, $C_{OUT} = 2.2\mu F$, $T_A = 25^\circ C$



Application Information

General Description

Referring to Fig.1 as shown in the Functional Block Diagram section, the EMP8130 adopts the classical regulator topology in which negative feedback control is used to perform the desired voltage regulating function. The sub Vout-select form the feedback circuit which samples the output voltage for the error amplifier's non-inverting input. The inverting input is set to the bandgap reference voltage. Due to its high open-loop gain, the error amplifier ensures that the sampled output feedback voltage at its non-inverting input is virtually equal to the preset voltage reference voltage. The error amplifier compares the voltage difference at its inputs and produces an appropriate driving voltage to the P-channel MOS pass transistor, which controls the amount of current reaching the output. If there are changes in the output voltage due to load changes, the feedback resistors register these changes to the non-inverting input of the error amplifier. The error amplifier then adjusts its driving voltage to maintain virtual short between its two input nodes under all loading conditions. The regulation of the output voltage is achieved as a direct result of the error amplifier keeping its input voltages equal. This negative feedback control topology is further augmented by the shutdown, the temperature and current protection circuitry.

Output Capacitor

The EMP8130 is specially designed for use with ceramic output capacitors of as low as 2.2 μ F to take advantage of the savings in cost and space, as well as the superior filtering of high frequency noise. Capacitors of higher value or other types may be used, but it is important to make sure its equivalent series resistance (ESR) be restricted to less than 0.5 Ω . The use of larger capacitors with smaller ESR values is desirable for applications involving large and fast input or output transients, as well as situations where the application systems are not physically located immediately adjacent to the battery power source. Typical ceramic capacitors suitable for use with the EMP8130 are X5R and X7R. The X5R and the X7R capacitors are able to maintain their capacitance values to within $\pm 20\%$ and $\pm 10\%$, respectively, as the temperature increases.

No-Load Stability

The EMP8130 is capable of stable operation during no-load conditions, a mandatory feature for some applications such as CMOS RAM keep-alive operations.

Input Capacitor

A minimum input capacitance of 1 μ F is required for EMP8130. The capacitor value may be increased without limit. Improper workbench set-ups may have adverse effects on the normal operation of the regulator. A case in point is the instability that may result from long supply lead inductance coupling to the output through the gate capacitance of the pass transistor. This will establish a pseudo LCR network, and is likely to happen under high current conditions or near dropout. A 10 μ F tantalum input capacitor will dampen the parasitic LCR action thanks to its high ESR. However, cautions should be exercised to avoid regulator short-circuit damage when tantalum capacitors are used, for they are prone to fail in short-circuit operating conditions.

Power Dissipation

Thermal overload results from excessive power dissipation that causes the IC junction temperature to increase beyond a safe operating level. The concept of thermal resistance θ_{JA} ($^{\circ}\text{C}/\text{W}$) is often used to describe an IC junction's relative readiness in allowing its thermal energy to dissipate to its ambient air. An IC junction with a low thermal resistance is preferred because it is relatively effective in dissipating its thermal energy to its ambient, thus resulting in a relatively low and desirable junction temperature. The relationship between θ_{JA} and T_J is as follows:

$$T_J = \theta_{JA} \times (P_D) + T_A$$

T_A is the ambient temperature, and P_D is the power generated by the IC and can be written as:

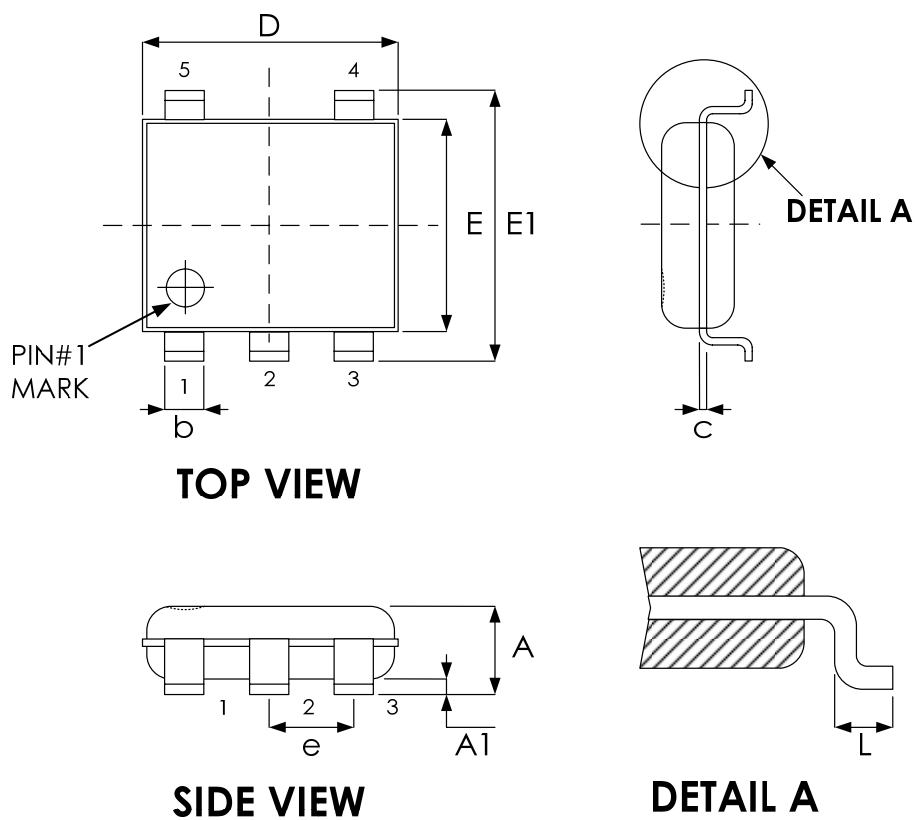
$$P_D = I_{OUT} (V_{IN} - V_{OUT})$$

As the above equations show, it is desirable to work with ICs whose θ_{JA} values are small such that T_J does not increase strongly with P_D . To avoid thermally overloading the EMP8130, refrain from exceeding the absolute maximum junction temperature rating of 150°C under continuous operating conditions. Overstressing the regulator with high loading currents and elevated input-to-output differential voltages can increase the IC die temperature significantly.

Shutdown

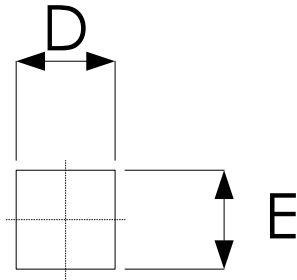
The EMP8130 enters sleep mode when the EN pin is low. When this occurs, the pass transistor, the error amplifier, and the biasing circuits, including the bandgap reference, are turned off, thus reducing the supply current to typically $< 1\mu\text{A}$. The low supply current makes the EMP8130 best suited for battery-powered applications. The maximum guaranteed voltage at the EN pin to enter sleep mode is 0.4V . A minimum guaranteed voltage of 1.0V at the EN pin will activate the EMP8130. To constantly keep the regulator on, direct connection of the EN pin to the VIN pin is allowed.

Package Outline Drawing SOT-23-5

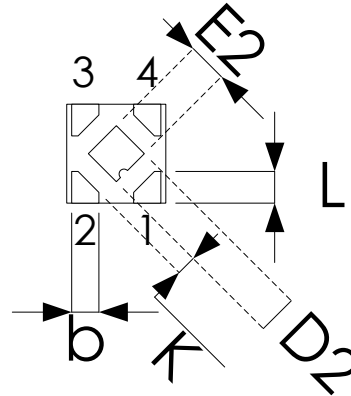


Symbol	Dimension in mm	
	Min.	Max.
A	0.90	1.45
A1	0.00	0.15
b	0.30	0.50
c	0.08	0.25
D	2.70	3.10
E	1.40	1.80
E1	2.60	3.00
e	0.95 BSC	
L	0.30	0.60

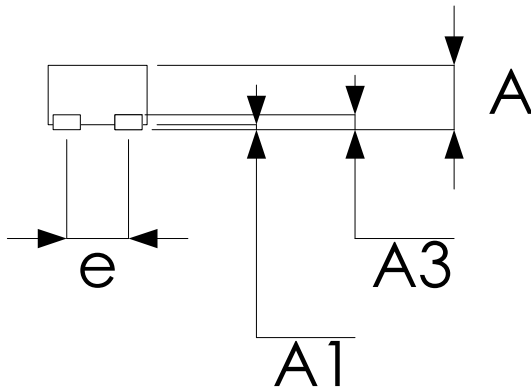
Package Outline Drawing
uDFN-4L (1mmx1 mm)



TOP VIEW



BOTTOM VIEW



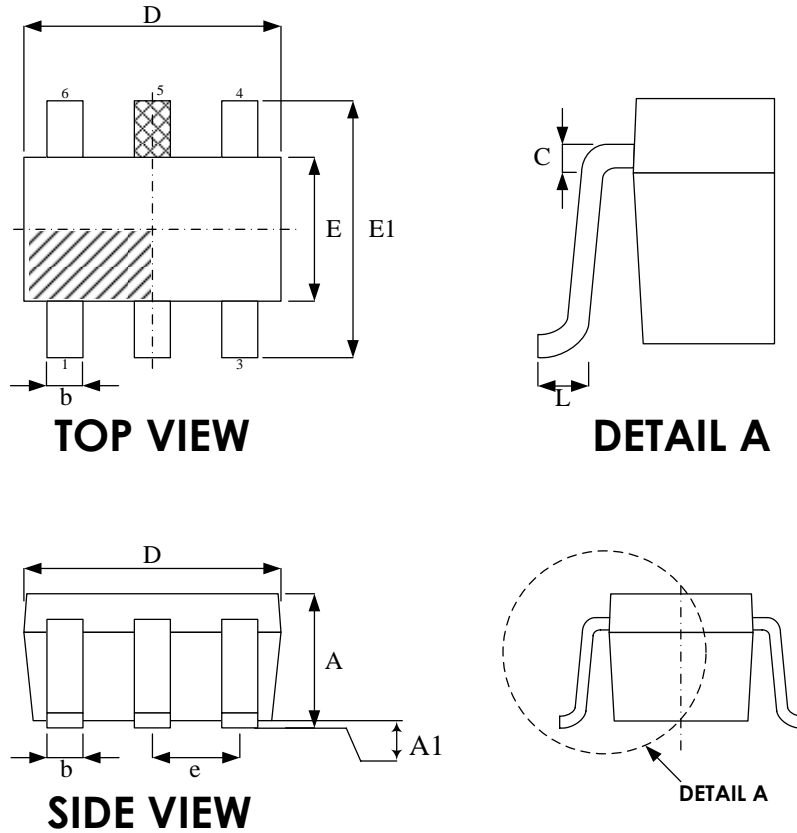
SIDE VIEW

Symbol	Dimension in mm	
	Min	Max
A	0.5	0.6
A1	0	0.05
A3	0.150 REF.	
b	0.175	0.275
D	1.00 BSC	
E	1.00 BSC	
e	0.625 BSC	
L	0.2	0.5
K	0.2	-

Exposed pad

	Dimension in mm	
	Min	Max
D2	0.4	0.6
E2	0.4	0.6

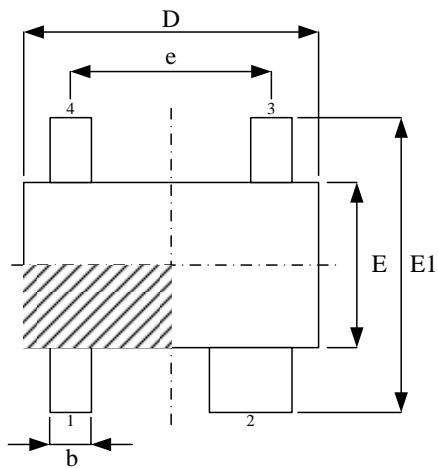
Package Outline Drawing
SC-70-5



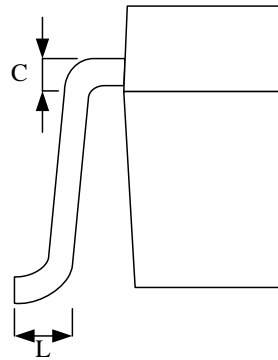
Symbol	Dimension in mm	
	Min.	Max.
A	0.80	1.10
A1	0.00	0.10
b	0.15	0.30
c	0.08	0.22
D	1.85	2.15
E	1.10	1.40
E1	1.80	2.40
e	0.65 BSC	
L	0.26	0.46

* This drawing includes SC70 5&6 lead.
For 5 lead packages, the No. 5 was removed.

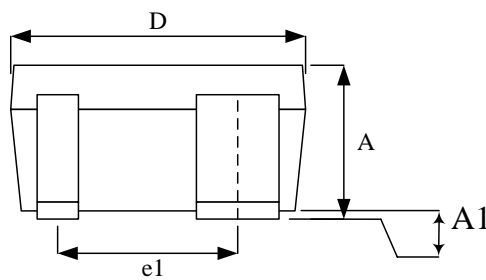
Package Outline Drawing
SC-82-4



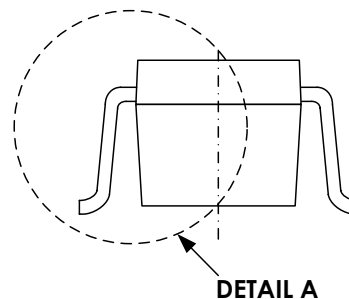
TOP VIEW



DETAIL A



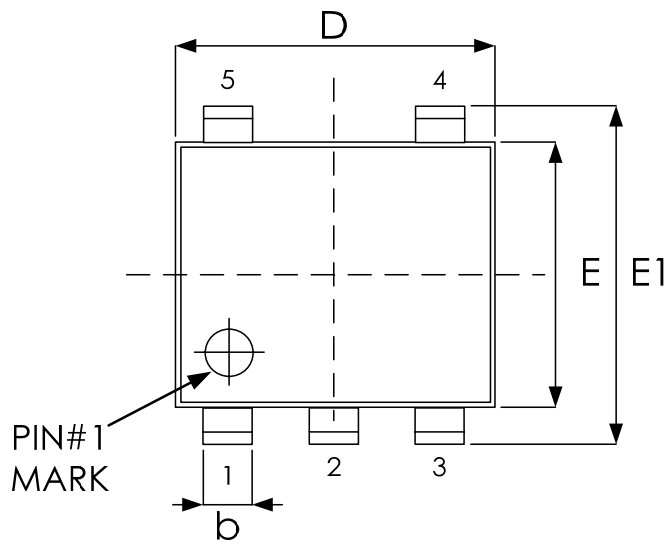
BOTTOM VIEW



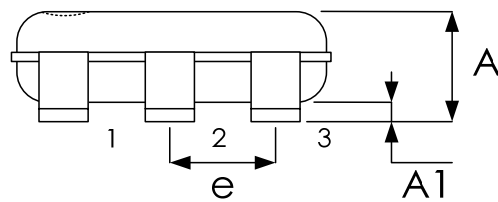
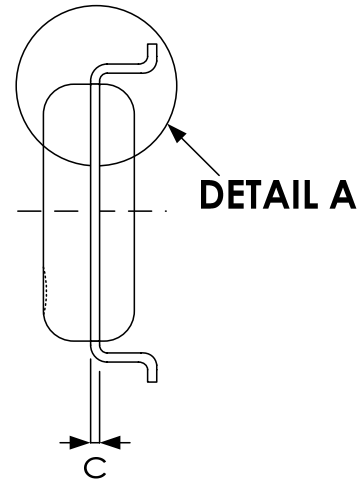
SIDE VIEW

Symbol	Dimension in mm	
	Min.	Max.
A	0.80	1.10
A1	0.00	0.10
b	0.15	0.30
b1	0.30	0.60
c	0.08	0.22
D	1.85	2.15
E	1.10	1.40
E1	1.80	2.40
e	1.30 BSC	
e1	1.1875 BSC	
L	0.26	0.46

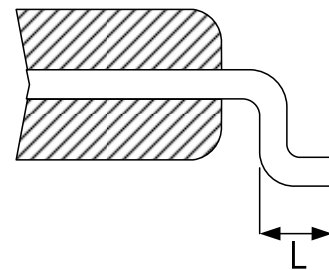
Package Outline Drawing TSOT-23-5



TOP VIEW



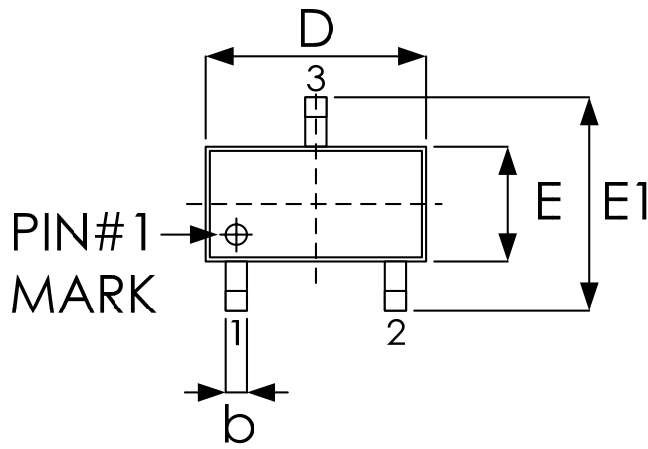
SIDE VIEW



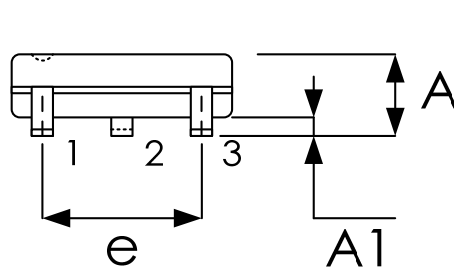
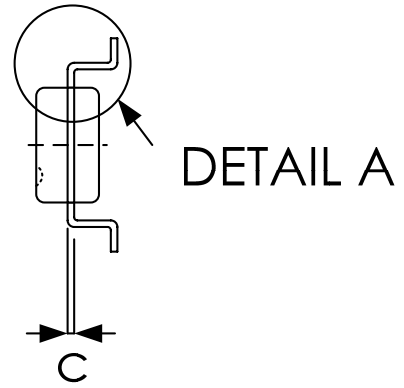
DETAIL A

Symbol	Dimension in mm	
	Min.	Max.
A	0.70	0.90
A1	0.00	0.15
b	0.30	0.50
c	0.08	0.25
D	2.70	3.10
E	1.40	1.80
E1	2.60	3.00
e	0.95 BSC	
L	0.30	0.60

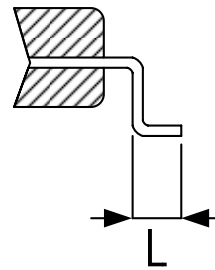
Package Outline Drawing SOT-23-3



TOP VIEW



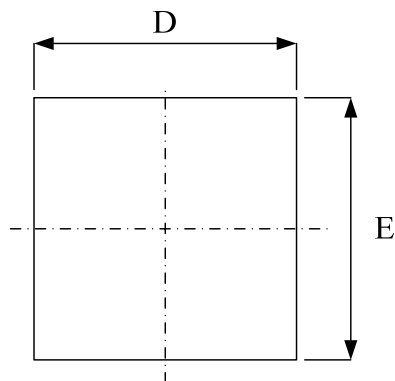
SIDE VIEW



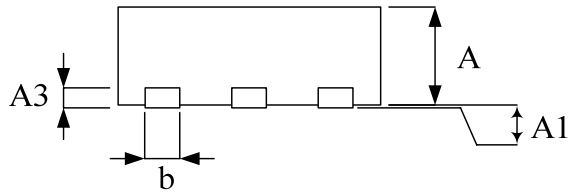
DETAIL A

Symbol	Dimension in mm	
	Min.	Max.
A	0.90	1.45
A1	0.00	0.15
b	0.30	0.50
c	0.08	0.25
D	2.70	3.10
E	1.40	1.80
E1	2.60	3.00
e	1.90 BSC	
L	0.30	0.60

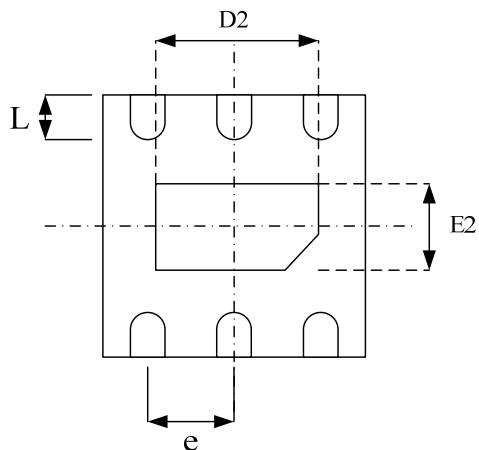
Package Outline Drawing TDFN-6L (2x2 mm)



TOP VIEW



SIDE VIEW



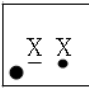
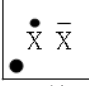
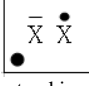
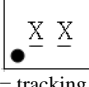
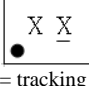
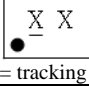
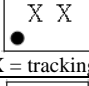
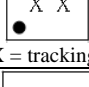
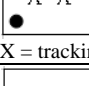
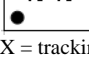
BOTTOM VIEW

Symbol	Dimension in mm	
	Min	Max
A	0.70	0.80
A1	0.00	0.05
A3	0.18	0.25
b	0.25	0.35
D	1.90	2.10
E	1.90	2.10
e	0.65 BSC	
L	0.20	0.45

Exposed pad option

	Dimension in mm	
	Min	Max
D2	1.35	1.45
E2	0.55	0.65

Old Order, Marking & Packing Information

Package	Vout	Product ID.	Marking	Packing
uDFN-4	0.8V	EMP8130-08FJ04NRR	 X X = tracking code	Tape & Reel 8Kpcs
	1.0V	EMP8130-10FJ04NRR	 X X = tracking code	
	1.2V	EMP8130-12FJ04NRR	 X X = tracking code	
	1.3V	EMP8130-13FJ04NRR	 X X = tracking code	
	1.5V	EMP8130-15FJ04NRR	 X X = tracking code	
	1.8V	EMP8130-18FJ04NRR	 X X = tracking code	
	2.5V	EMP8130-25FJ04NRR	 X X = tracking code	
	2.8V	EMP8130-28FJ04NRR	 X X = tracking code	
	3.0V	EMP8130-30FJ04NRR	 X X = tracking code	
	3.3V	EMP8130-33FJ04NRR	 X X = tracking code	

Revision History

Revision	Date	Description
0.1	2014.02.11	Initial version.
0.2	2014.05.12	Add uDFN package information
0.3	2014.06.13	Add electrical Characteristics for Icl
0.4	2014.08.22	Add uDFN Thermal Resistance
0.5	2015.01.16	1) Add uDFN PIN number 2) Electrical characteristics format corrected. 3) Add package information SC70 and SC82.
1.0	2015.03.11	Revise version to 1.0 & remove preliminary word
1.1	2015.05.21	Modify connection diagrams and pin functions for uDFN-4
1.2	2015.10.01	Modify application for Output Capacitor(2.2uF)
1.3	2015.11.02	Add TSOT23-5 package information
1.4	2015.11.09	Cancel pin1 dot for uDFN-4 marking
1.5	2016.12.14	Add SOT23-3/TDFN-6 package information
1.6	2017.04.26	Add 2.7V voltage option for SOT23-5 package (page 3)

Important Notice

All rights reserved.

No part of this document may be reproduced or duplicated in any form or by any means without the prior permission of ESMT.

The contents contained in this document are believed to be accurate at the time of publication. ESMT assumes no responsibility for any error in this document, and reserves the right to change the products or specification in this document without notice.

The information contained herein is presented only as a guide or examples for the application of our products. No responsibility is assumed by ESMT for any infringement of patents, copyrights, or other intellectual property rights of third parties which may result from its use. No license, either express, implied or otherwise, is granted under any patents, copyrights or other intellectual property rights of ESMT or others.

Any semiconductor devices may have inherently a certain rate of failure. To minimize risks associated with customer's application, adequate design and operating safeguards against injury, damage, or loss from such failure, should be provided by the customer when making application designs.

ESMT's products are not authorized for use in critical applications such as, but not limited to, life support devices or system, where failure or abnormal operation may directly affect human lives or cause physical injury or property damage. If products described here are to be used for such kinds of application, purchaser must do its own quality assurance testing appropriate to such applications.