

**EN29SL160****16 Megabit (2048K x 8-bit / 1024K x 16-bit) Flash Memory  
Boot Sector Flash Memory, CMOS 1.8 Volt-only****FEATURES**

- Single power supply operation
  - Full voltage range: 1.65-2.2 volt for read and write operations.
  - Regulated voltage range: 1.8-2.2 volt read and write operations
- High performance
  - Access times as fast as 90 ns
- Low power consumption (typical values at 5 MHz)
  - 7 mA typical active read current
  - 15 mA typical program/erase current
  - 0.2  $\mu$ A typical standby current
- Flexible Sector Architecture:
  - Eight 8-Kbyte and thirty-one 64-Kbyte sectors (byte mode)
  - Eight 4-Kword and thirty-one 32-Kword sectors (word mode)
- WP#/ACC Input pin:
  - Write protect (WP#) function allows protection of two outermost boot sectors, regardless of sector protect status
  - Acceleration (ACC) function acceleration program timing.
- Sector protection:
  - Hardware locking of sectors to prevent program or erase operations within individual sectors
  - Additionally, temporary Sector Unprotect allows code changes in previously locked sectors.
- High performance program/erase speed
  - Byte/Word program time: 5 $\mu$ s/7 $\mu$ s typical
  - Sector erase time: 500ms typical
- JEDEC Standard Embedded Erase and Program Algorithms
- JEDEC standard DATA# polling and toggle bits feature
- Unlock Bypass Program command supported
- Single Sector and Chip Erase
- Sector Unprotect Mode
- Erase Suspend / Resume modes:  
Read or program another Sector during Erase Suspend Mode
- Low Vcc write inhibit  $\leq$  1.2V
- Minimum 100K endurance cycle
- Package Options
  - 48-pin TSOP (Type 1)
  - 48-ball 6mm x 8mm TFBGA
  - 48-ball 5mm x 6mm WFBGA
  - 48-ball 5mm x 6mm WLGA
- Commercial and industrial temperature Range

**GENERAL DESCRIPTION**

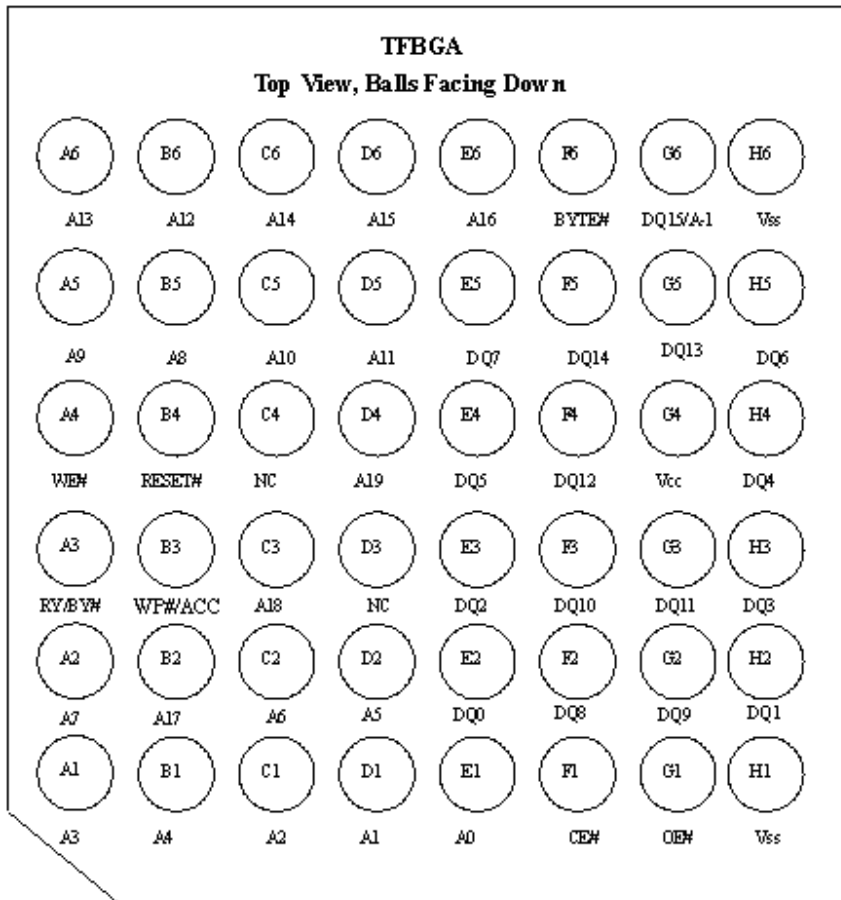
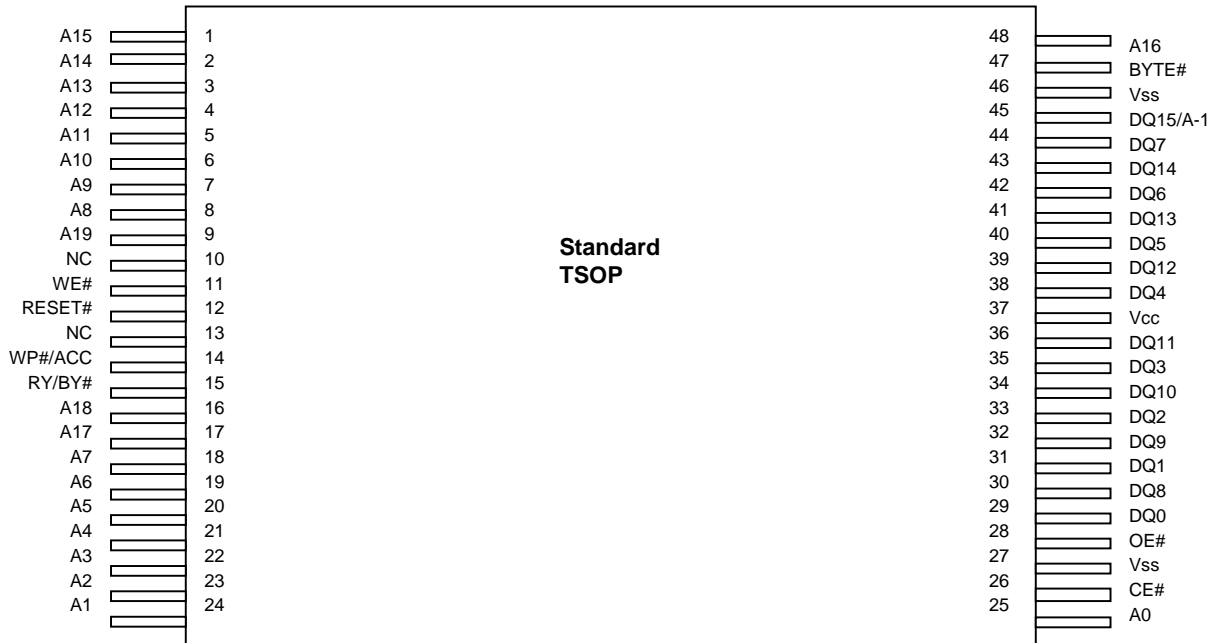
The EN29SL160 is an 16-Megabit, electrically erasable, read/write non-volatile flash memory, organized as 2,097,152 bytes or 1,048,576 words. Any byte can be programmed typically in 5 $\mu$ s. The EN29SL160 features 1.8V voltage read and write operation, with access time as fast as 90ns to eliminate the need for WAIT statements in high-performance microprocessor systems.

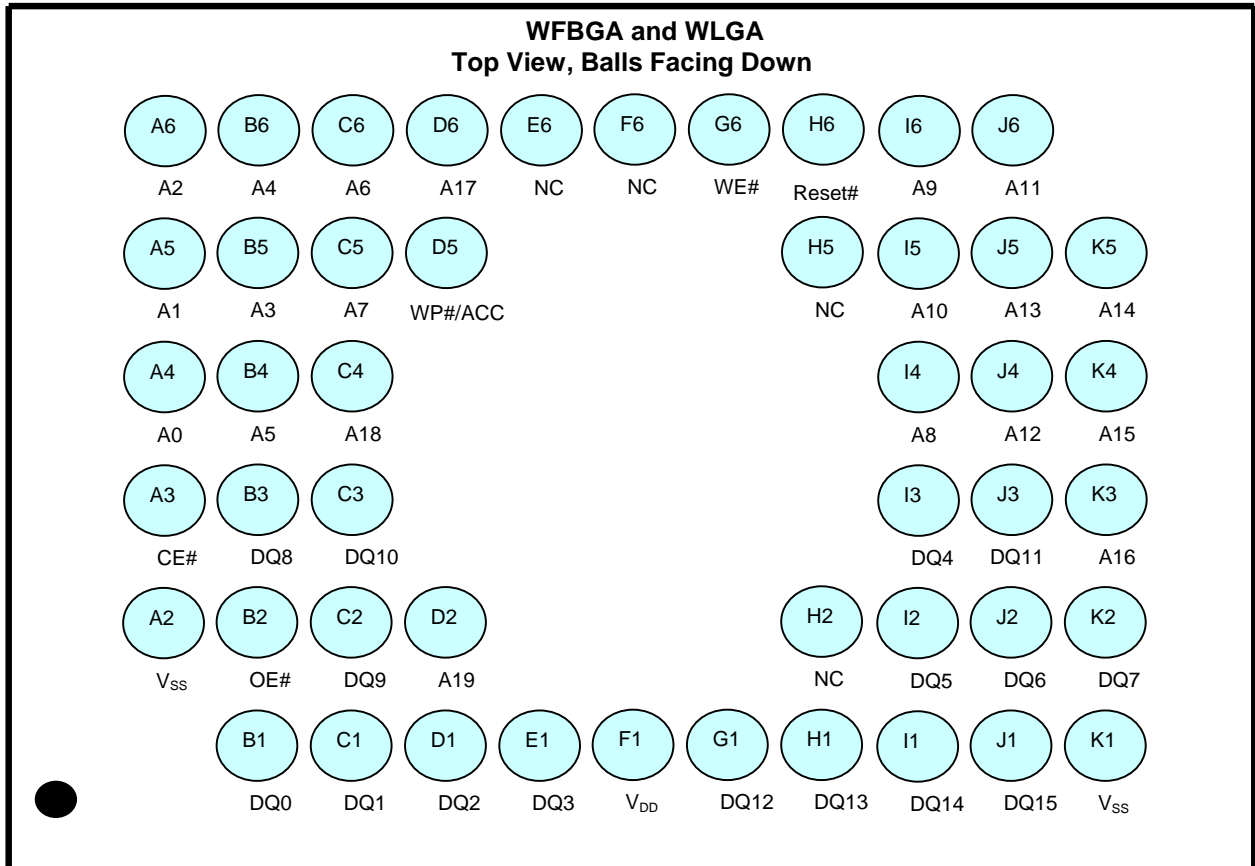
The EN29SL160 has separate Output Enable (OE#), Chip Enable (CE#), and Write Enable (WE#) controls, which eliminate bus contention issues. This device is designed to allow either single Sector or full chip erase operation, where each sector can be individually protected against program/erase operations or temporarily unprotected to erase or program. The device can sustain a minimum of 100K program/erase cycles on each sector.



# EN29SL160

## CONNECTION DIAGRAMS




**Notes:**

1. RY/BY#, Byte# are not available for WFBGA package.
2. It is organized as 1M x 16 (16Mbit)

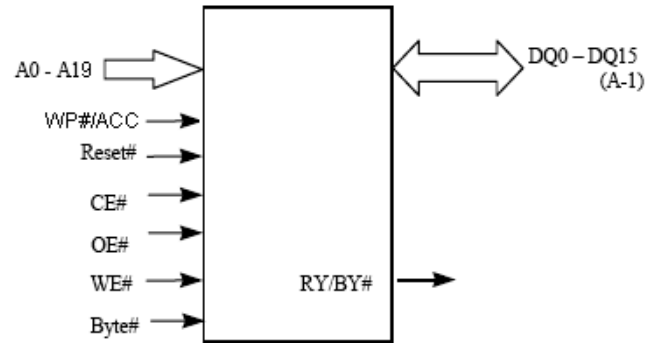


# EN29SL160

**TABLE 1. PIN DESCRIPTION**

| Pin Name   | Function  |
|------------|---|
| A0-A19     | 20 Addresses  |
| DQ0-DQ14   | 15 Data Inputs/Outputs  |
| DQ15 / A-1 | DQ15 (data input/output, word mode), A-1 (LSB address input, byte mode) |
| CE#        | Chip Enable   |
| OE#        | Output Enable   |
| RESET#     | Hardware Reset Pin  |
| RY/BY#     | Ready/Busy Output   |
| WE#        | Write Enable  |
| WP#/ACC    | Hardware write protect/acceleration pin                                 |
| Vcc        | Supply Voltage (1.65-2.2V)  |
| Vss        | Ground  |
| NC         | Not Connected to anything   |
| BYTE#      | Byte/Word Mode  |

**FIGURE 1. LOGIC DIAGRAM**



**EN29SL160****Table 2. Top Boot Sector Address Tables (EN29SL160T)**

| Sector | A19 | A18 | A17 | A16 | A15 | A14 | A13 | A12 | Sector Size<br>(Kbytes/<br>Kwords) | Address Range (in hexadecimal) |                    |
|--------|-----|-----|-----|-----|-----|-----|-----|-----|------------------------------------|--------------------------------|--------------------|
|        |     |     |     |     |     |     |     |     |                                    | Byte mode (x8)                 | Word Mode<br>(x16) |
| SA0    | 0   | 0   | 0   | 0   | 0   | X   | X   | X   | 64/32                              | 000000–00FFFF                  | 00000–07FFF        |
| SA1    | 0   | 0   | 0   | 0   | 1   | X   | X   | X   | 64/32                              | 010000–01FFFF                  | 08000–0FFFF        |
| SA2    | 0   | 0   | 0   | 1   | 0   | X   | X   | X   | 64/32                              | 020000–02FFFF                  | 10000–17FFF        |
| SA3    | 0   | 0   | 0   | 1   | 1   | X   | X   | X   | 64/32                              | 030000–03FFFF                  | 18000–1FFFF        |
| SA4    | 0   | 0   | 1   | 0   | 0   | X   | X   | X   | 64/32                              | 040000–04FFFF                  | 20000–27FFF        |
| SA5    | 0   | 0   | 1   | 0   | 1   | X   | X   | X   | 64/32                              | 050000–05FFFF                  | 28000–2FFFF        |
| SA6    | 0   | 0   | 1   | 1   | 0   | X   | X   | X   | 64/32                              | 060000–06FFFF                  | 30000–37FFF        |
| SA7    | 0   | 0   | 1   | 1   | 1   | X   | X   | X   | 64/32                              | 070000–07FFFF                  | 38000–3FFFF        |
| SA8    | 0   | 1   | 0   | 0   | 0   | X   | X   | X   | 64/32                              | 080000–08FFFF                  | 40000–47FFF        |
| SA9    | 0   | 1   | 0   | 0   | 1   | X   | X   | X   | 64/32                              | 090000–09FFFF                  | 48000–4FFFF        |
| SA10   | 0   | 1   | 0   | 1   | 0   | X   | X   | X   | 64/32                              | 0A0000–0AFFFF                  | 50000–57FFF        |
| SA11   | 0   | 1   | 0   | 1   | 1   | X   | X   | X   | 64/32                              | 0B0000–0BFFFF                  | 58000–5FFFF        |
| SA12   | 0   | 1   | 1   | 0   | 0   | X   | X   | X   | 64/32                              | 0C0000–0CFFFF                  | 60000–67FFF        |
| SA13   | 0   | 1   | 1   | 0   | 1   | X   | X   | X   | 64/32                              | 0D0000–0DFFFF                  | 68000–6FFFF        |
| SA14   | 0   | 1   | 1   | 1   | 0   | X   | X   | X   | 64/32                              | 0E0000–0EFFFF                  | 70000–77FFF        |
| SA15   | 0   | 1   | 1   | 1   | 1   | X   | X   | X   | 64/32                              | 0F0000–0FFFFF                  | 78000–7FFFF        |
| SA16   | 1   | 0   | 0   | 0   | 0   | X   | X   | X   | 64/32                              | 100000–10FFFF                  | 80000–87FFF        |
| SA17   | 1   | 0   | 0   | 0   | 1   | X   | X   | X   | 64/32                              | 110000–11FFFF                  | 88000–8FFFF        |
| SA18   | 1   | 0   | 0   | 1   | 0   | X   | X   | X   | 64/32                              | 120000–12FFFF                  | 90000–97FFF        |
| SA19   | 1   | 0   | 0   | 1   | 1   | X   | X   | X   | 64/32                              | 130000–13FFFF                  | 98000–9FFFF        |
| SA20   | 1   | 0   | 1   | 0   | 0   | X   | X   | X   | 64/32                              | 140000–14FFFF                  | A0000–A7FFF        |
| SA21   | 1   | 0   | 1   | 0   | 1   | X   | X   | X   | 64/32                              | 150000–15FFFF                  | A8000–AFFFF        |
| SA22   | 1   | 0   | 1   | 1   | 0   | X   | X   | X   | 64/32                              | 160000–16FFFF                  | B0000–B7FFF        |
| SA23   | 1   | 0   | 1   | 1   | 1   | X   | X   | X   | 64/32                              | 170000–17FFFF                  | B8000–BFFFF        |
| SA24   | 1   | 1   | 0   | 0   | 0   | X   | X   | X   | 64/32                              | 180000–18FFFF                  | C0000–C7FFF        |
| SA25   | 1   | 1   | 0   | 0   | 1   | X   | X   | X   | 64/32                              | 190000–19FFFF                  | C8000–CFFFF        |
| SA26   | 1   | 1   | 0   | 1   | 0   | X   | X   | X   | 64/32                              | 1A0000–1AFFFF                  | D0000–D7FFF        |
| SA27   | 1   | 1   | 0   | 1   | 1   | X   | X   | X   | 64/32                              | 1B0000–1BFFFF                  | D8000–DFFFF        |
| SA28   | 1   | 1   | 1   | 0   | 0   | X   | X   | X   | 64/32                              | 1C0000–1CFFFF                  | E0000–E7FFF        |
| SA29   | 1   | 1   | 1   | 0   | 1   | X   | X   | X   | 64/32                              | 1D0000–1DFFFF                  | E8000–EFFFF        |
| SA30   | 1   | 1   | 1   | 1   | 0   | X   | X   | X   | 64/32                              | 1E0000–1EFFFF                  | F0000–F7FFF        |
| SA31   | 1   | 1   | 1   | 1   | 1   | 0   | 0   | 0   | 8/4                                | 1F0000–1F1FFF                  | F8000–F8FFF        |
| SA32   | 1   | 1   | 1   | 1   | 1   | 0   | 0   | 1   | 8/4                                | 1F2000–1F3FFF                  | F9000–F9FFF        |
| SA33   | 1   | 1   | 1   | 1   | 1   | 0   | 1   | 0   | 8/4                                | 1F4000–1F5FFF                  | FA000–FAFFF        |
| SA34   | 1   | 1   | 1   | 1   | 1   | 0   | 1   | 1   | 8/4                                | 1F6000–1F7FFF                  | FB000–FBFFF        |
| SA35   | 1   | 1   | 1   | 1   | 1   | 1   | 0   | 0   | 8/4                                | 1F8000–1F9FFF                  | FC000–FCFFF        |
| SA36   | 1   | 1   | 1   | 1   | 1   | 1   | 0   | 1   | 8/4                                | 1FA000–1FBFFF                  | FD000–FDFFF        |
| SA37   | 1   | 1   | 1   | 1   | 1   | 1   | 1   | 0   | 8/4                                | 1FC000–1FDFFF                  | FE000–FEFFF        |
| SA38   | 1   | 1   | 1   | 1   | 1   | 1   | 1   | 1   | 8/4                                | 1FE000–1FFFFF                  | FF000–FFFFF        |



## EN29SL160

**Table 3. Bottom Boot Sector Address Tables (EN29SL160B)**

| Sector | A19 | A18 | A17 | A16 | A15 | A14 | A13 | A12 | Sector Size<br>(Kbytes/<br>Kwords) | Address Range (in hexadecimal) |                |
|--------|-----|-----|-----|-----|-----|-----|-----|-----|------------------------------------|--------------------------------|----------------|
|        |     |     |     |     |     |     |     |     |                                    | Byte mode (x8)                 | Word Mode(x16) |
| SA0    | 0   | 0   | 0   | 0   | 0   | 0   | 0   | 0   | 8/4                                | 000000–001FFF                  | 00000–00FFF    |
| SA1    | 0   | 0   | 0   | 0   | 0   | 0   | 0   | 1   | 8/4                                | 002000–003FFF                  | 01000–01FFF    |
| SA2    | 0   | 0   | 0   | 0   | 0   | 0   | 1   | 0   | 8/4                                | 004000–005FFF                  | 02000–02FFF    |
| SA3    | 0   | 0   | 0   | 0   | 0   | 0   | 1   | 1   | 8/4                                | 006000–007FFF                  | 03000–03FFF    |
| SA4    | 0   | 0   | 0   | 0   | 0   | 1   | 0   | 0   | 8/4                                | 008000–009FFF                  | 04000–04FFF    |
| SA5    | 0   | 0   | 0   | 0   | 0   | 1   | 0   | 1   | 8/4                                | 00A000–00BFFF                  | 05000–05FFF    |
| SA6    | 0   | 0   | 0   | 0   | 0   | 1   | 1   | 0   | 8/4                                | 00C000–00DFFF                  | 06000–06FFF    |
| SA7    | 0   | 0   | 0   | 0   | 0   | 1   | 1   | 1   | 8/4                                | 00E000–00FFFF                  | 07000–07FFF    |
| SA8    | 0   | 0   | 0   | 0   | 1   | X   | X   | X   | 64/32                              | 010000–01FFFF                  | 08000–0FFFF    |
| SA9    | 0   | 0   | 0   | 1   | 0   | X   | X   | X   | 64/32                              | 020000–02FFFF                  | 10000–17FFF    |
| SA10   | 0   | 0   | 0   | 1   | 1   | X   | X   | X   | 64/32                              | 030000–03FFFF                  | 18000–1FFFF    |
| SA11   | 0   | 0   | 1   | 0   | 0   | X   | X   | X   | 64/32                              | 040000–04FFFF                  | 20000–27FFF    |
| SA12   | 0   | 0   | 1   | 0   | 1   | X   | X   | X   | 64/32                              | 050000–05FFFF                  | 28000–2FFFF    |
| SA13   | 0   | 0   | 1   | 1   | 0   | X   | X   | X   | 64/32                              | 060000–06FFFF                  | 30000–37FFF    |
| SA14   | 0   | 0   | 1   | 1   | 1   | X   | X   | X   | 64/32                              | 070000–07FFFF                  | 38000–3FFFF    |
| SA15   | 0   | 1   | 0   | 0   | 0   | X   | X   | X   | 64/32                              | 080000–08FFFF                  | 40000–47FFF    |
| SA16   | 0   | 1   | 0   | 0   | 1   | X   | X   | X   | 64/32                              | 090000–09FFFF                  | 48000–4FFFF    |
| SA17   | 0   | 1   | 0   | 1   | 0   | X   | X   | X   | 64/32                              | 0A0000–0AFFFF                  | 50000–57FFF    |
| SA18   | 0   | 1   | 0   | 1   | 1   | X   | X   | X   | 64/32                              | 0B0000–0BFFFF                  | 58000–5FFFF    |
| SA19   | 0   | 1   | 1   | 0   | 0   | X   | X   | X   | 64/32                              | 0C0000–0CFFFF                  | 60000–67FFF    |
| SA20   | 0   | 1   | 1   | 0   | 1   | X   | X   | X   | 64/32                              | 0D0000–0DFFFF                  | 68000–6FFFF    |
| SA21   | 0   | 1   | 1   | 1   | 0   | X   | X   | X   | 64/32                              | 0E0000–0EFFFF                  | 70000–77FFF    |
| SA22   | 0   | 1   | 1   | 1   | 1   | X   | X   | X   | 64/32                              | 0F0000–0FFFFF                  | 78000–7FFFF    |
| SA23   | 1   | 0   | 0   | 0   | 0   | X   | X   | X   | 64/32                              | 100000–10FFFF                  | 80000–87FFF    |
| SA24   | 1   | 0   | 0   | 0   | 1   | X   | X   | X   | 64/32                              | 110000–11FFFF                  | 88000–8FFFF    |
| SA25   | 1   | 0   | 0   | 1   | 0   | X   | X   | X   | 64/32                              | 120000–12FFFF                  | 90000–97FFF    |
| SA26   | 1   | 0   | 0   | 1   | 1   | X   | X   | X   | 64/32                              | 130000–13FFFF                  | 98000–9FFFF    |
| SA27   | 1   | 0   | 1   | 0   | 0   | X   | X   | X   | 64/32                              | 140000–14FFFF                  | A0000–A7FFF    |
| SA28   | 1   | 0   | 1   | 0   | 1   | X   | X   | X   | 64/32                              | 150000–15FFFF                  | A8000–AFFFF    |
| SA29   | 1   | 0   | 1   | 1   | 0   | X   | X   | X   | 64/32                              | 160000–16FFFF                  | B0000–B7FFF    |
| SA30   | 1   | 0   | 1   | 1   | 1   | X   | X   | X   | 64/32                              | 170000–17FFFF                  | B8000–BFFFF    |
| SA31   | 1   | 1   | 0   | 0   | 0   | X   | X   | X   | 64/32                              | 180000–18FFFF                  | C0000–C7FFF    |
| SA32   | 1   | 1   | 0   | 0   | 1   | X   | X   | X   | 64/32                              | 190000–19FFFF                  | C8000–CFFFF    |
| SA33   | 1   | 1   | 0   | 1   | 0   | X   | X   | X   | 64/32                              | 1A0000–1AFFFF                  | D0000–D7FFF    |
| SA34   | 1   | 1   | 0   | 1   | 1   | X   | X   | X   | 64/32                              | 1B0000–1BFFFF                  | D8000–DFFFF    |
| SA35   | 1   | 1   | 1   | 0   | 0   | X   | X   | X   | 64/32                              | 1C0000–1CFFFF                  | E0000–E7FFF    |
| SA36   | 1   | 1   | 1   | 0   | 1   | X   | X   | X   | 64/32                              | 1D0000–1DFFFF                  | E8000–EFFFF    |
| SA37   | 1   | 1   | 1   | 1   | 0   | X   | X   | X   | 64/32                              | 1E0000–1EFFFF                  | F0000–F7FFF    |
| SA38   | 1   | 1   | 1   | 1   | 1   | X   | X   | X   | 64/32                              | 1F0000–1FFFFF                  | F8000–FFFFF    |

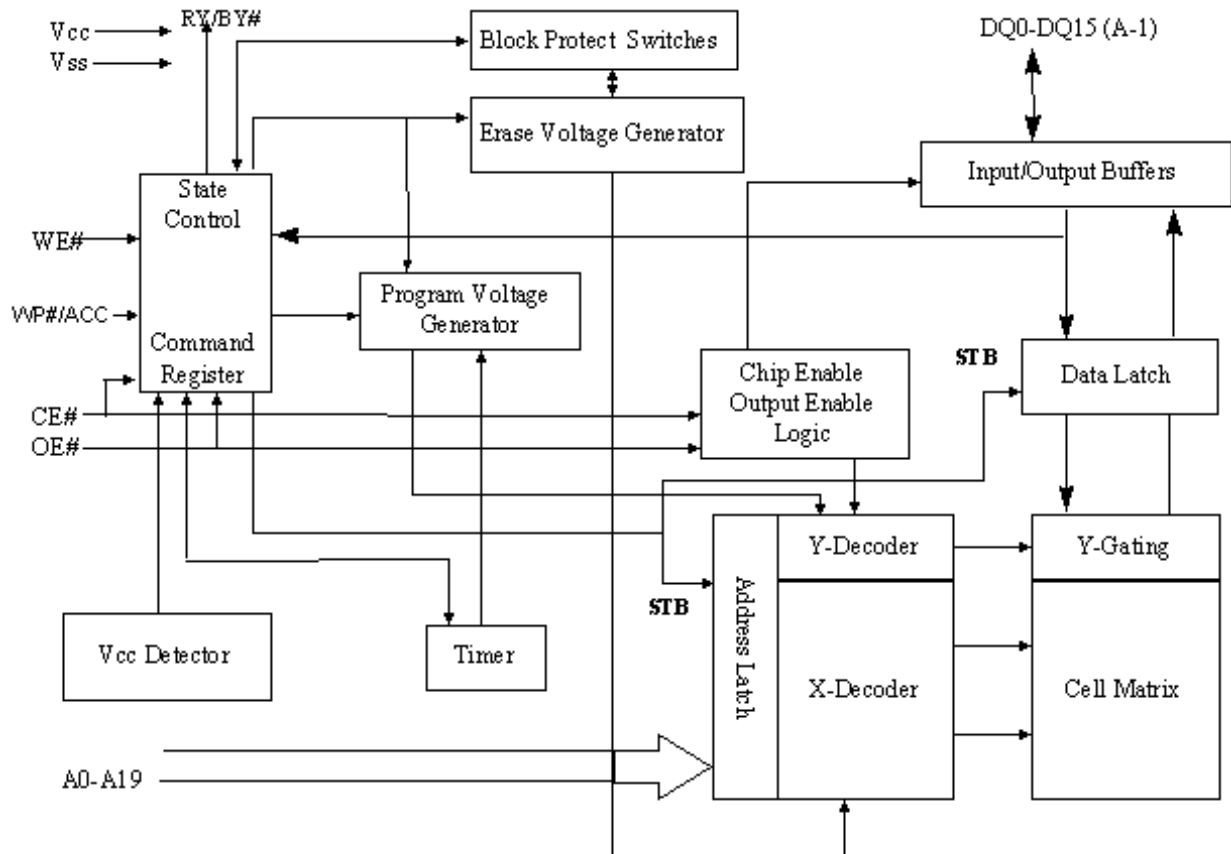


# EN29SL160

## PRODUCT SELECTOR GUIDE

|   |                                      |           |     |
|---|--------------------------------------|-----------|-----|
| Product Number                          |                                      | EN29SL160 |     |
| Speed Option                            | Full Voltage Range: Vcc=1.65 – 2.2 V |           | -90 |
| Max Access Time, ns (t <sub>acc</sub> ) |                                      |           | 90  |
| Max CE# Access, ns (t <sub>ce</sub> )   |                                      |           | 90  |
| Max OE# Access, ns (t <sub>oe</sub> )   |                                      |           | 35  |

## BLOCK DIAGRAM





**TABLE 3. OPERATING MODES**

**16M FLASH USER MODE TABLE**

| Operation                    | CE#                    | OE# | WE# | Reset#                 | WP#/ACC  | A0-A19<br>(Note 1)                     | DQ0-DQ7          | DQ8-DQ15                |                         |
|------------------------------|------------------------|-----|-----|------------------------|----------|--|------------------|-------------------------|-------------------------|
|                              |                        |     |     |                        |          |  |                  | Byte# = V <sub>IH</sub> | Byte# = V <sub>IL</sub> |
| Read                         | L                      | L   | H   | H                      | L / H    | A <sub>IN</sub>                        | D <sub>OUT</sub> | D <sub>OUT</sub>        | High-Z                  |
| Write                        | L                      | H   | L   | H                      | (Note 1) | A <sub>IN</sub>                        | D <sub>IN</sub>  | D <sub>IN</sub>         | High-Z                  |
| CMOS Standby                 | V <sub>CC</sub> ± 0.2V | X   | X   | V <sub>CC</sub> ± 0.2V | X        | X                                      | High-Z           | High-Z                  | High-Z                  |
| Output Disable               | L                      | H   | H   | H                      | X        | X                                      | High-Z           | High-Z                  | High-Z                  |
| Hardware Reset               | X                      | X   | X   | L                      | X        | X                                      | High-Z           | High-Z                  | High-Z                  |
| Temporary Sector Unprotect   | X                      | X   | X   | V <sub>ID</sub>        | (Note 1) | A <sub>IN</sub>                        | D <sub>IN</sub>  | D <sub>IN</sub>         | X                       |
| Sector Protect<br>(Note 2)   | L                      | H   | L   | V <sub>ID</sub>        | X        | Sector Address, A6 = L, A1 = H, A0 = L | D <sub>IN</sub>  | X                       | X                       |
| Sector Unprotect<br>(Note 2) | L                      | H   | L   | V <sub>ID</sub>        | (Note 1) | Sector Address, A6 = L, A1 = H, A0 = L | D <sub>IN</sub>  | X                       | X                       |

L=logic low= V<sub>IL</sub>, H=Logic High= V<sub>IH</sub>, V<sub>ID</sub> = V<sub>HH</sub> = 10.0 ± 1.0V, X=Don't Care (either L or H, but not floating!), D<sub>IN</sub>=Data In, D<sub>OUT</sub>=Data Out, A<sub>IN</sub>=Address In,

Notes:

1. If WP#/ACC = V<sub>IL</sub>, the two outermost boot sectors are protected. If WP#/ACC = V<sub>IH</sub> the outermost boot sector protection depends on whether they were last protected or unprotected. If WP#/ACC = V<sub>HH</sub>, all sectors will be unprotected.
2. Please refer to "Sector / Sector Group Protection and Unprotection", Flowchart 7a and Flowchart 7b.

**TABLE 4. DEVICE IDENTIFICATION (Autoselect Codes)**

**16M FLASH MANUFACTURER/DEVICE ID TABLE**

| Description                    | Mode | CE # | OE # | WE # | A19 to A12 | A11 to A10 | A9 <sup>2</sup> | A8             | A7 | A6 | A5 to A2 | A1 | A0 | DQ8 to DQ15 | DQ7 to DQ0        |
|--------------------------------|------|------|------|------|------------|------------|-----------------|----------------|----|----|----------|----|----|-------------|-------------------|
| Manufacturer ID: Eon           |      | L    | L    | H    | X          | X          | V <sub>ID</sub> | H <sup>1</sup> | X  | L  | X        | L  | L  | X           | 1Ch               |
| Device ID (top boot block)     | Word | L    | L    | H    | X          | X          | V <sub>ID</sub> | X              | X  | L  | X        | L  | H  | 22h         | E4h               |
|                                | Byte | L    | L    | H    |            |            |                 |                |    |    |          |    |    | X           | E4h               |
| Device ID (bottom boot block)  | Word | L    | L    | H    | X          | X          | V <sub>ID</sub> | X              | X  | L  | X        | L  | H  | 22h         | E7h               |
|                                | Byte | L    | L    | H    |            |            |                 |                |    |    |          |    |    | X           | E7h               |
| Sector Protection Verification |      | L    | L    | H    | SA         | X          | V <sub>ID</sub> | X              | X  | L  | X        | H  | L  | X           | 01h (Protected)   |
|                                |      |      |      |      |            |            |                 |                |    |    |          |    |    | X           | 00h (Unprotected) |

Note:

1. If a manufacturing ID is read with A8=L, the chip will output a configuration code 7Fh. A further Manufacturing ID must be read with A8=H.
2. A9 = V<sub>ID</sub> is for HV A9 Autoselect mode only. A9 must be ≤ V<sub>CC</sub> (CMOS logic level) for Command Autoselect Mode.





## USER MODE DEFINITIONS

### Word / Byte Configuration

The signal set on the BYTE# Pin controls whether the device data I/O pins DQ15-DQ0 operate in the byte or word configuration. When the Byte# Pin is set at logic '1', then the device is in word configuration, DQ15-DQ0 are active and are controlled by CE# and OE#.

On the other hand, if the Byte# Pin is set at logic '0', then the device is in byte configuration, and only data I/O pins DQ0-DQ7 are active and controlled by CE# and OE#. The data I/O pins DQ8-DQ14 are tri-stated, and the DQ15 pin is used as an input for the LSB (A-1) address function.

### Standby Mode

The EN29SL160 has a CMOS-compatible standby mode, which reduces the current to  $< 0.2\mu\text{A}$  (typical). It is placed in CMOS-compatible standby when the CE# pin is at  $V_{CC} \pm 0.2$ . RESET# and BYTE# pin must also be at CMOS input levels. If CE# and RESET# are held at  $V_{IH}$ , but not within  $V_{CC} \pm 0.2\text{V}$ , the device will be in the standby modes, but the standby current will be greater. The outputs are in a high-impedance state independent of the OE# input.

### Read Mode

The device is automatically set to reading array data after device power-up. No commands are required to retrieve data. The device is also ready to read array data after completing an Embedded Program or Embedded Erase algorithm.

After the device accepts an Erase Suspend command, the device enters the Erase Suspend mode. The system can read array data using the standard read timings, except that if it reads at an address within erase-suspended sectors, the device outputs status data. After completing a programming operation in the Erase Suspend mode, the system may once again read array data with the same exception. See "Erase Suspend/Erase Resume Commands" for more additional information.

The system must issue the reset command to re-enable the device for reading array data if DQ5 goes high, or while in the autoselect mode. See the "Reset Command" additional details.

### Output Disable Mode

When the OE# pin is at a logic high level ( $V_{IH}$ ), the output from the EN29SL260 is disabled. The output pins are placed in a high impedance state.

### Auto Select Identification Mode

The autoselect mode provides manufacturer and device identification, and sector protection verification, through identifier codes output on DQ15-DQ0. This mode is primarily intended for programming equipment to automatically match a device to be programmed with its corresponding programming algorithm. However, the autoselect codes can also be accessed in-system through the command register.

When using programming equipment, the autoselect mode requires  $V_{ID}$  ( 9.0 V to 11.0 V) on address pin A9. Address pins A8, A6, A1, and A0 must be as shown in Autoselect Codes table. In addition, when verifying sector protection, the sector address must appear on the appropriate highest order address bits. Refer to the corresponding Sector Address Tables. The Command Definitions table shows the remaining address bits that are don't-care. When all necessary bits have been set as required, the programming equipment may then read the corresponding identifier code on DQ15-DQ0.



To access the autoselect codes in-system; the host system can issue the autoselect command via the command register, as shown in the Command Definitions table. This method does not require  $V_{ID}$ . See "Command Definitions" for details on using the autoselect mode.

## Write Mode

Write operations, including programming data and erasing sectors of memory, require the host system to write a command or command sequence to the device. Write cycles are initiated by placing the byte or word address on the device's address inputs while the data to be written is input on DQ[7:0] in Byte Mode (BYTE# = L) or on DQ[15:0] in Word Mode (BYTE# = H). The host system must drive the CE# and WE# pins Low and the OE# pin High for a valid write operation to take place. All addresses are latched on the falling edge of WE# and CE#, whichever happens later. All data is latched on the rising edge of WE# or CE#, whichever happens first. The system is not required to provide further controls or timings. The device automatically provides internally generated program / erase pulses and verifies the programmed /erased cells' margin. The host system can detect completion of a program or erase operation by observing the RY/BY# pin, or by reading the DQ[7] (Data# Polling) and DQ[6] (Toggle) status bits.

The 'Command Definitions' section of this document provides details on the specific device commands implemented in the EN29SL160.

## RESET#: Hardware Reset Pin

The RESET# pin provides a hardware method of resetting the device to reading array data. When the RESET# pin is driven low for at least a period of  $t_{RP}$ , the device immediately terminates any operation in progress, tristates all output pins, and ignores all read/write commands for the duration of the RESET# pulse. The device also resets the internal state machine to reading array data. The operation that was interrupted should be reinitiated once the device is ready to accept another command sequence, to ensure data integrity.

Current is reduced for the duration of the RESET# pulse. When RESET# is held at  $V_{SS} \pm 0.3$  V, the device draws CMOS standby current ( $I_{CC2}$ ). If RESET# is held at  $V_{IL}$  but not within  $V_{SS} \pm 0.3$  V, the standby current will be greater.

The RESET# pin may be tied to the system reset circuitry. A system reset would thus also reset the Flash memory, enabling the system to read the boot-up firm- ware from the Flash memory.

If RESET# is asserted during a program or erase operation, the RY/BY# pin will immediately go to a "1" but the actual internal operations may be active until  $t_{READY}$  (During Embedded Algorithms: 20uS) amount of time has passed. The system thus must wait at least  $t_{READY}$  amount of time after the RESET# is asserted. If RESET# is asserted when a program or erase operation is not executing (RY/BY# pin is "1"), the reset operation is completed within a time of  $t_{READY}$  (Not during Embedded Algorithms: 500nS). The system can read data  $t_{RH}$  after the RESET# pin returns to  $V_{IH}$ .

Refer to the DC Characteristics tables  $I_{CC3}$  for RESET# parameters and to the figures at page 26 on datasheet for the timing diagram.

## Sector /Sector Group Protection and Unprotection

The hardware sector protection feature disables both program and erase operations in any sector. The hardware sector unprotection feature re-enables both program and erase operations in previously protected sectors.

There are two methods to enabling this hardware protection circuitry. The first one requires only that the RESET# pin be at  $V_{ID}$  and then standard microprocessor timings can be used to enable or

**EN29SL160**

disable this feature. See Flowchart 7a and 7b for the algorithm and Figure 12 for the timings. When doing Sector Unprotect, all the other sectors should be protected first. The second method is meant for programming equipment. This method requires  $V_{ID}$  be applied to both OE# and A9 pin and non-standard microprocessor timings are used. This method is described in a separate document called EN29SL160 Supplement, which can be obtained by contacting a representative of Eon Silicon Solution, Inc.

**Top Boot Sector/Sector Group Organization Table (EN29SL160T) for (Un)Protection**

| Sector / Sector Group | A19-A12                          | Sector/Sector Group Size |
|-----------------------|----------------------------------|--------------------------|
| SA 0                  | 00000XXX                         | 64 Kbytes                |
| SA 1-SA 3             | 00001XXX<br>00010XXX<br>00011XXX | 190 (3x64) Kbytes        |
| SA 4-SA 7             | 001XXXXX                         | 256 (4 x 64) Kbytes      |
| SA 8-SA11             | 010XXXXX                         | 256 (4 x 64) Kbytes      |
| SA12-SA15             | 011XXXXX                         | 256 (4 x 64) Kbytes      |
| SA16-SA19             | 100XXXXX                         | 256 (4 x 64) Kbytes      |
| SA20-SA23             | 101XXXXX                         | 256 (4 x 64) Kbytes      |
| SA24-SA27             | 110XXXXX                         | 256 (4 x 64) Kbytes      |
| SA28-SA30             | 11100XXX<br>11101XXX<br>11110XXX | 190 (3x64) Kbytes        |
| SA31                  | 11111000                         | 8 Kbytes                 |
| SA32                  | 11111001                         | 8 Kbytes                 |
| SA33                  | 11111010                         | 8 Kbytes                 |
| SA34                  | 11111011                         | 8 Kbytes                 |
| SA35                  | 11111100                         | 8 Kbytes                 |
| SA36                  | 11111101                         | 8 Kbytes                 |
| SA37                  | 11111110                         | 8 Kbytes                 |
| SA38                  | 11111111                         | 8 Kbytes                 |

**Bottom Boot Sector/Sector Group Organization Table (EN29SL160B) for (Un)Protection**

| Sector / Sector Group | A19-A12                          | Sector/Sector Group Size |
|-----------------------|----------------------------------|--------------------------|
| SA38                  | 11111XXX                         | 64 Kbytes                |
| SA37-SA35             | 11110XXX<br>11101XXX<br>11100XXX | 190 (3x64) Kbytes        |
| SA34-SA31             | 110XXXXX                         | 256 (4 x 64) Kbytes      |
| SA30-SA27             | 101XXXXX                         | 256 (4 x 64) Kbytes      |
| SA26-SA23             | 100XXXXX                         | 256 (4 x 64) Kbytes      |
| SA22-SA19             | 011XXXXX                         | 256 (4 x 64) Kbytes      |
| SA18-SA15             | 010XXXXX                         | 256 (4 x 64) Kbytes      |
| SA14-SA11             | 001XXXXX                         | 256 (4 x 64) Kbytes      |
| SA10-SA08             | 00011XXX<br>00010XXX<br>00001XXX | 190 (3x64) Kbytes        |
| SA 7                  | 00000111                         | 8 Kbytes                 |
| SA 6                  | 00000110                         | 8 Kbytes                 |
| SA 5                  | 00000101                         | 8 Kbytes                 |
| SA 4                  | 00000100                         | 8 Kbytes                 |
| SA 3                  | 00000011                         | 8 Kbytes                 |
| SA 2                  | 00000010                         | 8 Kbytes                 |
| SA 1                  | 00000001                         | 8 Kbytes                 |
| SA 0                  | 00000000                         | 8 Kbytes                 |



## Write Protect / Accelerated Program (WP# / ACC)

The WP#/ACC pin provides two functions. The Write Protect (WP#) function provides a hardware method of protecting the outermost two 8K-byte Boot Sector. The ACC function allows faster manufacturing throughput at the factory, using an external high voltage.

When WP#/ACC is Low, the device protects the outermost two 8K-byte Boot Sector; no matter the sectors are protected or unprotected using the method described in "Sector/Sector Group Protection & Chip Unprotection", Program and Erase operations in these sectors are ignored.

When WP#/ACC is High, the device reverts to the previous protection status of the outermost two 8K-byte boot sector. Program and Erase operations can now modify the data in the two outermost 8K-byte Boot Sector unless the sector is protected using Sector Protection.

When WP#/ACC is raised to  $V_{HH}$  the memory automatically enters the Unlock Bypass mode (please refer to "Command Definitions"), temporarily unprotects every protected sectors, and reduces the time required for program operation. The system would use a two-cycle program command sequence as required by the Unlock Bypass mode. When WP#/ACC returns to  $V_{IH}$  or  $V_{IL}$ , normal operation resumes. The transitions from  $V_{IH}$  or  $V_{IL}$  to  $V_{HH}$  and from  $V_{HH}$  to  $V_{IH}$  or  $V_{IL}$  must be slower than  $t_{VHH}$ , see Figure 11.

Note that the WP#/ACC pin must not be left floating or unconnected. In addition, WP#/ACC pin must not be at  $V_{HH}$  for operations other than accelerated programming. It could cause the device to be damaged.

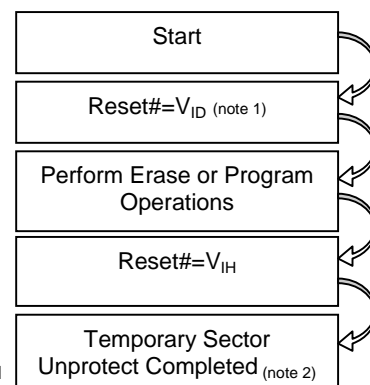
Never raise this pin to  $V_{HH}$  from any mode except Read mode, otherwise the memory may be left in an indeterminate state.

A 0.1 $\mu$ F capacitor should be connected between the WP#/ACC pin and the VSS Ground pin to decouple the current surges from the power supply. The PCB track widths must be sufficient to carry the currents required during Unlock Bypass Program.

## Temporary Sector Unprotect

This feature allows temporary unprotection of previously protected sector groups to change data while in-system. The Sector Unprotect mode is activated by setting the RESET# pin to  $V_{ID}$ . During this mode, formerly protected sectors can be programmed or erased by simply selecting the sector addresses. Once is removed from the RESET# pin, all the previously protected sectors are protected again. See accompanying figure and timing diagrams for more details.

- Notes:
1. All protected sectors unprotected.
  2. Previously protected sectors protected again.



## Automatic Sleep Mode

The automatic sleep mode minimizes Flash device energy consumption. The device automatically enables this mode when addresses remain stable for  $t_{acc} + 30ns$ . The automatic sleep mode is independent of the CE#, WE# and OE# control signals. Standard address access timings provide new data when addresses are changed. While in sleep mode, output is latched and always available to the system.  $I_{cc5}$  in the DC Characteristics table represents the automatic sleep mode current specification.



## Hardware Data Protection

The command sequence requirement of unlock cycles for programming or erasing provides data protection against inadvertent writes as seen in the Command Definitions table. Additionally, the following hardware data protection measures prevent accidental erasure or programming, which might otherwise be caused by false system level signals during V<sub>cc</sub> power up and power down transitions, or from system noise.

### Low V<sub>CC</sub> Write Inhibit

When V<sub>cc</sub> is less than V<sub>LKO</sub>, the device does not accept any write cycles. This protects data during V<sub>cc</sub> power up and power down. The command register and all internal program/erase circuits are disabled, and the device resets. Subsequent writes are ignored until V<sub>cc</sub> is greater than V<sub>LKO</sub>. The system must provide the proper signals to the control pins to prevent unintentional writes when V<sub>cc</sub> is greater than V<sub>LKO</sub>.

### Write Pulse “Glitch” protection

Noise pulses of less than 5 ns (typical) on OE#, CE# or WE# do not initiate a write cycle.

### Logical Inhibit

Write cycles are inhibited by holding any one of OE# = V<sub>IL</sub>, CE# = V<sub>IH</sub>, or WE# = V<sub>IH</sub>. To initiate a write cycle, CE# and WE# must be a logical zero while OE# is a logical one. If CE#, WE#, and OE# are all logical zero (not recommended usage), it will be considered a read.

### Power-up Write Inhibit

During power-up, the device automatically resets to READ mode and locks out write cycles. Even with CE# = V<sub>IL</sub>, WE# = V<sub>IL</sub> and OE# = V<sub>IH</sub>, the device will not accept commands on the rising edge of WE#.



# EN29SL160

## COMMAND DEFINITIONS

The operations of EN29SL160 are selected by one or more commands written into the command register to perform Read/Reset Memory, Read ID, Read Sector Protection, Program, Sector Erase, Chip Erase, Erase Suspend and Erase Resume. Commands are made up of data sequences written at specific addresses via the command register. The sequences for the specified operation are defined in the Command Definitions table (Table 5). Incorrect addresses, incorrect data values or improper sequences will reset the device to Read Mode.

**Table 5. EN29SL160 Command Definitions**

| Command Sequence      |                       |      | Cycles | Bus Cycles            |      |                       |          |                       |          |                       |      |                       |      |                       |      |  |  |  |
|-----------------------|-----------------------|------|--------|-----------------------|------|-----------------------|----------|-----------------------|----------|-----------------------|------|-----------------------|------|-----------------------|------|--|--|--|
|                       |                       |      |        | 1 <sup>st</sup> Cycle |      | 2 <sup>nd</sup> Cycle |          | 3 <sup>rd</sup> Cycle |          | 4 <sup>th</sup> Cycle |      | 5 <sup>th</sup> Cycle |      | 6 <sup>th</sup> Cycle |      |  |  |  |
|                       |                       |      |        | Addr                  | Data | Addr                  | Data     | Addr                  | Data     | Addr                  | Data | Addr                  | Data | Addr                  | Data |  |  |  |
| Read                  |                       |      | 1      | RA                    | RD   |                       |          |                       |          |                       |      |                       |      |                       |      |  |  |  |
| Reset                 |                       |      | 1      | xxx                   | F0   |                       |          |                       |          |                       |      |                       |      |                       |      |  |  |  |
| Autoselect            | Manufacturer ID       | Word | 4      | 555                   | AA   | 2AA                   | 55       | 555                   | 90       | 000                   | 7F   |                       |      |                       |      |  |  |  |
|                       |                       | Byte |        | AAA                   | 555  | AAA                   | 90       | 100                   | 1C       |                       |      |                       |      |                       |      |  |  |  |
|                       |                       |      |        |                       |      |                       |          |                       |          |                       | 000  | 7F                    |      |                       |      |  |  |  |
|                       |                       |      |        |                       |      |                       |          |                       |          |                       | 200  | 1C                    |      |                       |      |  |  |  |
|                       | Device ID Top Boot    | Word | 4      | 555                   | AA   | 2AA                   | 55       | 555                   | 90       | X01                   | 22E4 |                       |      |                       |      |  |  |  |
|                       |                       | Byte |        | AAA                   | 555  | AAA                   | 90       | X02                   | E4       |                       |      |                       |      |                       |      |  |  |  |
|                       | Device ID Bottom Boot | Word | 4      | 555                   | AA   | 2AA                   | 55       | 555                   | 90       | X01                   | 22E7 |                       |      |                       |      |  |  |  |
|                       |                       | Byte |        | AAA                   | 555  | AAA                   | 90       | X02                   | E7       |                       |      |                       |      |                       |      |  |  |  |
| Sector Protect Verify | Word                  | 4    | 555    | AA                    | 2AA  | 55                    | 555      | 90                    | (SA) X02 | XX00                  |      |                       |      |                       |      |  |  |  |
|                       | Byte                  |      | AAA    | 555                   | AAA  | 90                    | (SA) X04 | 00                    |          |                       |      |                       |      |                       |      |  |  |  |
|                       |                       |      |        |                       |      |                       |          |                       |          | 01                    |      |                       |      |                       |      |  |  |  |
| Program               |                       | Word | 4      | 555                   | AA   | 2AA                   | 55       | 555                   | A0       | PA                    | PD   |                       |      |                       |      |  |  |  |
|                       | Byte                  | AAA  |        | 555                   | AAA  |                       |          |                       |          |                       |      |                       |      |                       |      |  |  |  |
| Unlock Bypass         |                       | Word | 3      | 555                   | AA   | 2AA                   | 55       | 555                   | 20       |                       |      |                       |      |                       |      |  |  |  |
|                       | Byte                  | AAA  |        | 555                   | AAA  |                       |          |                       |          |                       |      |                       |      |                       |      |  |  |  |
| Unlock Bypass Program |                       |      | 2      | XXX                   | A0   | PA                    | PD       |                       |          |                       |      |                       |      |                       |      |  |  |  |
| Unlock Bypass Reset   |                       |      | 2      | XXX                   | 90   | XXX                   | 00       |                       |          |                       |      |                       |      |                       |      |  |  |  |
| Chip Erase            |                       | Word | 6      | 555                   | AA   | 2AA                   | 55       | 555                   | 80       | 555                   | AA   | 2AA                   | 55   | 555                   | 10   |  |  |  |
|                       | Byte                  | AAA  |        | 555                   | AAA  |                       |          |                       |          |                       | AAA  | 555                   |      |                       | AAA  |  |  |  |
| Sector Erase          |                       | Word | 6      | 555                   | AA   | 2AA                   | 55       | 555                   | 80       | 555                   | AA   | 2AA                   | 55   | SA                    | 30   |  |  |  |
|                       | Byte                  | AAA  |        | 555                   | AAA  |                       |          |                       |          |                       | AAA  | 555                   |      |                       |      |  |  |  |
| Erase Suspend         |                       |      | 1      | xxx                   | B0   |                       |          |                       |          |                       |      |                       |      |                       |      |  |  |  |
| Erase Resume          |                       |      | 1      | xxx                   | 30   |                       |          |                       |          |                       |      |                       |      |                       |      |  |  |  |

Address and Data values indicated in hex  
 RA = Read Address: address of the memory location to be read. This is a read cycle.  
 RD = Read Data: data read from location RA during Read operation. This is a read cycle.  
 PA = Program Address: address of the memory location to be programmed. X = Don't-Care  
 PD = Program Data: data to be programmed at location PA  
 SA = Sector Address: address of the Sector to be erased or verified. Address bits A19-A12 uniquely select any Sector.

### Reading Array Data

The device is automatically set to reading array data after power up. No commands are required to retrieve data. The device is also ready to read array data after completing an Embedded Program or Embedded Erase algorithm.

Following an Erase Suspend command, Erase Suspend mode is entered. The system can read array data using the standard read timings, with the only difference in that if it reads at an address within erase suspended sectors, the device outputs status data. After completing a programming



operation in the Erase Suspend mode, the system may once again read array data with the same exception.

The Reset command must be issued to re-enable the device for reading array data if DQ5 goes high, or while in the autoselect mode. See next section for details on Reset.

## Reset Command

Writing the reset command to the device resets the device to reading array data. Address bits are don't-care for this command.

The reset command may be written between the sequence cycles in an erase command sequence before erasing begins. This resets the device to reading array data. Once erasure begins, however, the device ignores reset commands until the operation is complete. The reset command may be written between the sequence cycles in a program command sequence before programming begins. This resets the device to reading array data (also applies to programming in Erase Suspend mode). Once programming begins, however, the device ignores reset commands until the operation is complete.

The reset command may be written between the sequence cycles in an autoselect command sequence. Once in the autoselect mode, the reset command must be written to return to reading array data (also applies to autoselect during Erase Suspend).

If DQ5 goes high during a program or erase operation, writing the reset command returns the device to reading array data (also applies during Erase Suspend).

## Autoselect Command Sequence

The autoselect command sequence allows the host system to access the manufacturer and device codes, and determine whether or not a sector is protected. The Command Definitions table shows the address and data requirements. This is an alternative to the method that requires  $V_{ID}$  on address bit A9 and is intended for PROM programmers.

Two unlock cycles followed by the autoselect command initiate the autoselect command sequence. Autoselect mode is then entered and the system may read at addresses shown in Table 4 any number of times, without needing another command sequence.

The system must write the reset command to exit the autoselect mode and return to reading array data.

## Word / Byte Programming Command

The device may be programmed by byte or by word, depending on the state of the Byte# Pin. Programming the EN29SL160 is performed by using a four bus-cycle operation (two unlock write cycles followed by the Program Setup command and Program Data Write cycle). When the program command is executed, no additional CPU controls or timings are necessary. An internal timer terminates the program operation automatically. Address is latched on the falling edge of CE# or WE#, whichever is last; data is latched on the rising edge of CE# or WE#, whichever is first.

Programming status may be checked by sampling data on DQ7 (DATA# polling) or on DQ6 (toggle bit). When the program operation is successfully completed, the device returns to read mode and the user can read the data programmed to the device at that address. Note that data can not be programmed from a 0 to a 1. Only an erase operation can change a data from 0 to 1. When programming time limit is exceeded, DQ5 will produce a logical "1" and a Reset command can return the device to Read mode.



## Unlock Bypass

To speed up programming operation, the Unlock Bypass Command may be used. Once this feature is activated, the shorter two-cycle Unlock Bypass Program command can be used instead of the normal four-cycle Program Command to program the device. During the unlock bypass mode, only the Unlock Bypass Program and Unlock Bypass Reset command can be accepted. This mode is exited after issuing the Unlock Bypass Reset Command. The device powers up with this feature disabled

The device provides accelerated program operations through the WP#/ACC pin. When WP#/ACC is asserted to  $V_{HH}$ , the device automatically enters the Unlock Bypass mode. The system may then write the two-cycle Unlock Bypass Program command sequence.

## Chip Erase Command

Chip erase is a six-bus-cycle operation. The chip erase command sequence is initiated by writing two unlock cycles, followed by a set-up command. Two additional unlock write cycles are then followed by the chip erase command, which in turn invokes the Embedded Erase algorithm. The device does not require the system to preprogram prior to erase. The Embedded Erase algorithm automatically preprograms and verifies the entire memory for an all zero data pattern prior to electrical erase. The system is not required to provide any controls or timings during these operations. The Command Definitions table shows the address and data requirements for the chip erase command sequence.

Any commands written to the chip during the Embedded Chip Erase algorithm are ignored.

The system can determine the status of the erase operation by using DQ7, DQ6, or DQ2. See "Write Operation Status" for information on these status bits. When the Embedded Erase algorithm is complete, the device returns to reading array data and addresses are no longer latched.

Flowchart 4 illustrates the algorithm for the erase operation. See the Erase/Program Operations tables in "AC Characteristics" for parameters, and to the Chip/Sector Erase Operation Timings for timing waveforms.

## Sector Erase Command Sequence

Sector erase is a six bus cycle operation. The sector erase command sequence is initiated by writing two un-lock cycles, followed by a set-up command. Two additional unlock write cycles are then followed by the address of the sector to be erased, and the sector erase command. The Command Definitions table shows the address and data requirements for the sector erase command sequence.

Once the sector erase operation has begun, only the Erase Suspend command is valid. All other commands are ignored.

When the Embedded Erase algorithm is complete, the device returns to reading array data and addresses are no longer latched. The system can determine the status of the erase operation by using DQ7, DQ6, or DQ2. Refer to "Write Operation Status" for information on these status bits. Flowchart 4 illustrates the algorithm for the erase operation. Refer to the Erase/Program Operations tables in the "AC Characteristics" section for parameters, and to the Sector Erase Operations Timing diagram for timing waveforms.

## Erase Suspend / Resume Command

The Erase Suspend command allows the system to interrupt a sector erase operation and then read data from, or program data to, any sector not selected for erasure. This command is valid only during the sector erase operation. The Erase Suspend command is ignored if written during the chip





erase operation or Embedded Program algorithm. Addresses are don't-cares when writing the Erase Suspend command.

When the Erase Suspend command is written during a sector erase operation, the device requires a maximum of 20  $\mu$ s to suspend the erase operation.

After the erase operation has been suspended, the system can read array data from or program data to any sector not selected for erasure. (The device "erase suspends" all sectors selected for erasure.) Normal read and write timings and command definitions apply. Reading at any address within erase-suspended sectors produces status data on DQ7–DQ0. The system can use DQ7, or DQ6 and DQ2 together, to determine if a sector is actively erasing or is erase-suspended. See "Write Operation Status" for information on these status bits.

After an erase-suspended program operation is complete, the system can once again read array data within non-suspended sectors. The system can determine the status of the program operation using the DQ7 or DQ6 status bits, just as in the standard program operation. See "Write Operation Status" for more information. The Autoselect command is not supported during Erase Suspend Mode.

The system must write the Erase Resume command (address bits are don't-care) to exit the erase suspend mode and continue the sector erase operation. Further writes of the Resume command are ignored. Another Erase Suspend command can be written after the device has resumed erasing.

## WRITE OPERATION STATUS

### DQ7: DATA# Polling

The EN29SL160 provides DATA# polling on DQ7 to indicate the status of the embedded operations. The DATA# Polling feature is active during the embedded Programming, Sector Erase, Chip Erase, and Erase Suspend. (See Table 6)

When the embedded Programming is in progress, an attempt to read the device will produce the complement of the data last written to DQ7. Upon the completion of the embedded Programming, an attempt to read the device will produce the true data written to DQ7. For the embedded Programming, DATA# polling is valid after the rising edge of the fourth WE# or CE# pulse in the four-cycle sequence.

When the embedded Erase is in progress, an attempt to read the device will produce a "0" at the DQ7 output. Upon the completion of the embedded Erase, the device will produce the "1" at the DQ7 output during the read cycles. For Chip Erase, the DATA# polling is valid after the rising edge of the sixth WE# or CE# pulse in the six-cycle sequence. DATA# polling is valid after the last rising edge of the WE# or CE# pulse for chip erase or sector erase.

DATA# Polling must be performed at any address within a sector that is being programmed or erased and not a protected sector. Otherwise, DATA# polling may give an inaccurate result if the address used is in a protected sector.

Just prior to the completion of the embedded operations, DQ7 may change asynchronously when the output enable (OE#) is low. This means that the device is driving status information on DQ7 at one instant of time and valid data at the next instant of time. Depending on when the system samples the DQ7 output, it may read the status of valid data. Even if the device has completed the embedded operations and DQ7 has a valid data, the data output on DQ0-DQ6 may be still invalid. The valid data on DQ0-DQ7 will be read on the subsequent read attempts.

The flowchart for DATA# Polling (DQ7) is shown on Flowchart 5. The DATA# Polling (DQ7) timing diagram is shown in Figure 8.



### **R<sub>Y</sub>/B<sub>Y</sub>#: Ready/Busy**

The R<sub>Y</sub>/B<sub>Y</sub># is a dedicated, open-drain output pin that indicates whether an Embedded Algorithm is in progress or completed. The R<sub>Y</sub>/B<sub>Y</sub># status is valid after the rising edge of the final WE# pulse in the command sequence. Since R<sub>Y</sub>/B<sub>Y</sub># is an open-drain output, several R<sub>Y</sub>/B<sub>Y</sub># pins can be tied together in parallel with a pull-up resistor to V<sub>cc</sub>.

In the output-low period, signifying Busy, the device is actively erasing or programming. This includes programming in the Erase Suspend mode. If the output is high, signifying the Ready, the device is ready to read array data (including during the Erase Suspend mode), or is in the standby mode.

### **DQ6: Toggle Bit I**

The EN29SL160 provides a "Toggle Bit" on DQ6 to indicate to the host system the status of the embedded programming and erase operations. (See Table 6)

During an embedded Program or Erase operation, successive attempts to read data from the device at any address (by active OE# or CE#) will result in DQ6 toggling between "zero" and "one". Once the embedded Program or Erase operation is completed, DQ6 will stop toggling and valid data will be read on the next successive attempts. During embedded Programming, the Toggle Bit is valid after the rising edge of the fourth WE# pulse in the four-cycle sequence. During Erase operation, the Toggle Bit is valid after the rising edge of the sixth WE# pulse for sector erase or chip erase.

In embedded Programming, if the sector being written to is protected, DQ6 will toggle for about 2  $\mu$ s, then stop toggling without the data in the sector having changed. In Sector Erase or Chip Erase, if all selected sectors are protected, DQ6 will toggle for about 100  $\mu$ s. The chip will then return to the read mode without changing data in all protected sectors.

The flowchart for the Toggle Bit (DQ6) is shown in Flowchart 6. The Toggle Bit timing diagram is shown in Figure 9.

### **DQ5: Exceeded Timing Limits**

DQ5 indicates whether the program or erase time has exceeded a specified internal pulse count limit. Under these conditions DQ5 produces a "1." This is a failure condition that indicates the program or erase cycle was not successfully completed. Since it is possible that DQ5 can become a 1 when the device has successfully completed its operation and has returned to read mode, the user must check again to see if the DQ6 is toggling after detecting a "1" on DQ5.

The DQ5 failure condition may appear if the system tries to program a "1" to a location that is previously programmed to "0." **Only an erase operation can change a "0" back to a "1."** Under this condition, the device halts the operation, and when the operation has exceeded the timing limits, DQ5 produces a "1." Under both these conditions, the system must issue the reset command to return the device to reading array data.

### **DQ3: Sector Erase Timer**

After writing a sector erase command sequence, the output on DQ3 can be used to determine whether or not an erase operation has begun. (The sector erase timer does not apply to the chip erase command.) When sector erase starts, DQ3 switches from "0" to "1." This device does not support multiple sector erase command sequences so it is not very meaningful since it immediately shows as a "1" after the first 30h command. Future devices may support this feature.

**DQ2: Erase Toggle Bit II**

The “Toggle Bit” on DQ2, when used with DQ6, indicates whether a particular sector is actively erasing (that is, the Embedded Erase algorithm is in progress), or whether that sector is erase-suspended. Toggle Bit II is valid after the rising edge of the final WE# pulse in the command sequence. DQ2 toggles when the system reads at addresses within those sectors that have been selected for erasure. (The system may use either OE# or CE# to control the read cycles.) But DQ2 cannot distinguish whether the sector is actively erasing or is erase-suspended. DQ6, by comparison, indicates whether the device is actively erasing, or is in Erase Suspend, but cannot distinguish which sectors are selected for erasure. Thus, both status bits are required for sector and mode information. Refer to the following table to compare outputs for DQ2 and DQ6.

Flowchart 6 shows the toggle bit algorithm, and the section “DQ2: Toggle Bit” explains the algorithm. See also the “DQ6: Toggle Bit I” subsection. Refer to the Toggle Bit Timings figure for the toggle bit timing diagram. The DQ2 vs. DQ6 figure shows the differences between DQ2 and DQ6 in graphical form.

**Reading Toggle Bits DQ6/DQ2**

Refer to Flowchart 6 for the following discussion. Whenever the system initially begins reading toggle bit status, it must read DQ7–DQ0 at least twice in a row to determine whether a toggle bit is toggling. Typically, a system would note and store the value of the toggle bit after the first read. After the second read, the system would compare the new value of the toggle bit with the first. If the toggle bit is not toggling, the device has completed the program or erase operation. The system can read array data on DQ7–DQ0 on the following read cycle.

However, if after the initial two read cycles, the system determines that the toggle bit is still toggling, the system also should note whether the value of DQ5 is high (see the section on DQ5). If it is, the system should then determine again whether the toggle bit is toggling, since the toggle bit may have stopped toggling just as DQ5 went high. If the toggle bit is no longer toggling, the device has successfully completed the program or erase operation. If it is still toggling, the device did not complete the operation successfully, and the system must write the reset command to return to reading array data.

The remaining scenario is that the system initially determines that the toggle bit is toggling and DQ5 has not gone high. The system may continue to monitor the toggle bit and DQ5 through successive read cycles, determining the status as described in the previous paragraph. Alternatively, it may choose to perform other system tasks. In this case, the system must start at the beginning of the algorithm when it returns to determine the status of the operation (top of Flowchart 6).

**Write Operation Status**

| Operation          |   | DQ7<br>(note2) | DQ6       | DQ5<br>(note1) | DQ3  | DQ2<br>(note2) | RY/BY# |
|--------------------|---|----------------|-----------|----------------|------|----------------|--------|
| Standard Mode      | Embedded Program Algorithm                | DQ7#           | Toggle    | 0              | N/A  | No toggle      | 0      |
|                    | Embedded Erase Algorithm                  | 0              | Toggle    | 0              | 1    | Toggle         | 0      |
| Erase Suspend Mode | Reading within Erase Suspended Sector     | 1              | No Toggle | 0              | N/A  | Toggle         | 1      |
|                    | Reading within Non-Erase Suspended Sector | Data           | Data      | Data           | Data | Data           | 1      |
|                    | Erase-Suspend Program                     | DQ7#           | Toggle    | 0              | N/A  | N/A            | 0      |

1. DQ5 switches to ‘1’ when an Embedded Program or Embedded Erase operation has exceeded the maximum timing limits. See “DQ5: Exceeded Timing Limits” for more information.

2. DQ7 and DQ2 require a valid address when reading status information. Refer to the appropriate subsection for further details.

**Table 6. Status Register Bits**

| DQ | Name              | Logic Level       | Definition  |
|----|-------------------|-------------------|---|
| 7  | DATA#<br>POLLING  | '1'               | Erase Complete or<br>erase Sector in Erase suspend  |
|    |                   | '0'               | Erase On-Going  |
|    |                   | DQ7               | Program Complete or<br>data of non-erase Sector<br>during Erase Suspend   |
|    |                   | DQ7#              | Program On-Going  |
| 6  | TOGGLE<br>BIT     | '-1-0-1-0-1-0-1-' | Erase or Program On-going   |
|    |                   | DQ6               | Read during Erase Suspend   |
|    |                   | '-1-1-1-1-1-1-1-' | Erase Complete  |
| 5  | ERROR BIT         | '1'               | Program or Erase Error  |
|    |                   | '0'               | Program or Erase On-going   |
| 3  | ERASE<br>TIME BIT | '1'               | Erase operation start   |
|    |                   | '0'               | Erase timeout period on-going   |
| 2  | TOGGLE<br>BIT     | '-1-0-1-0-1-0-1-' | Chip Erase, Sector Erase or<br>Erase suspend on currently<br>addressed<br>Sector. (When DQ5=1, Erase<br>Error due to currently<br>addressed Sector. Program<br>during Erase Suspend on-<br>going at current address |
|    |                   | DQ2               | Erase Suspend read on<br>non Erase Suspend Sector   |

**Notes:**

DQ7 DATA# Polling: indicates the P/E C status check during Program or Erase, and on completion before checking bits DQ5 for Program or Erase Success.

DQ6 Toggle Bit: remains at constant level when P/E operations are complete or erase suspend is acknowledged. Successive reads output complementary data on DQ6 while programming or Erase operation are on-going.

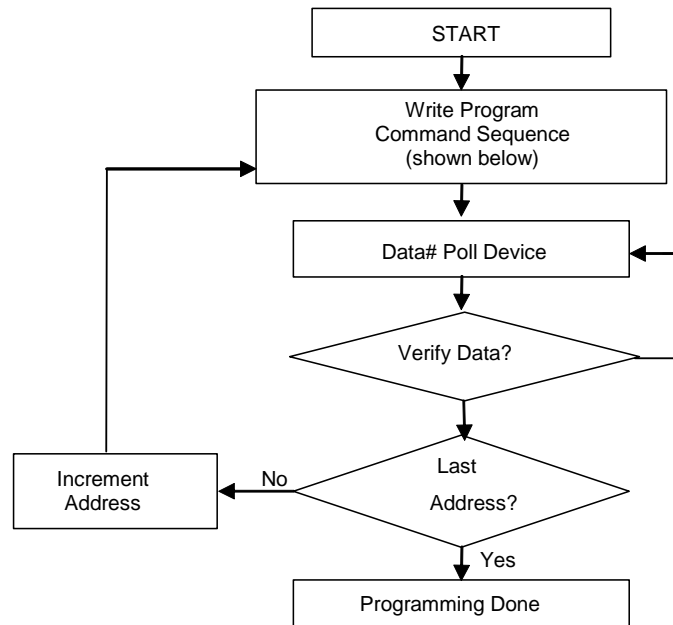
DQ5 Error Bit: set to "1" if failure in programming or erase

DQ3 Sector Erase Command Timeout Bit: Operation has started. Only possible command is Erase suspend (ES).

DQ2 Toggle Bit: indicates the Erase status and allows identification of the erased Sector.

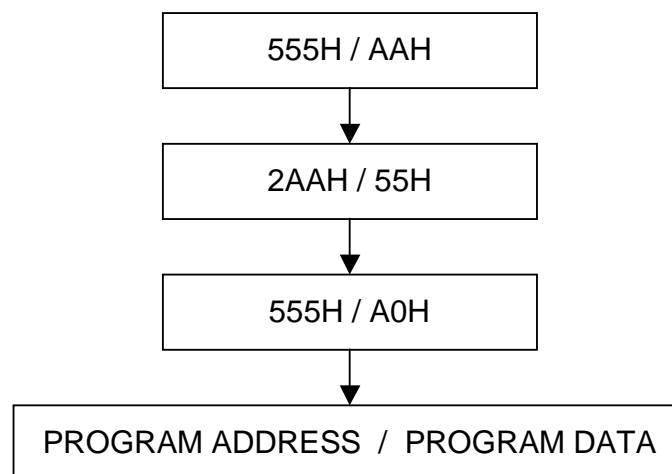
**EMBEDDED ALGORITHMS**

**Flowchart 1. Embedded Program**

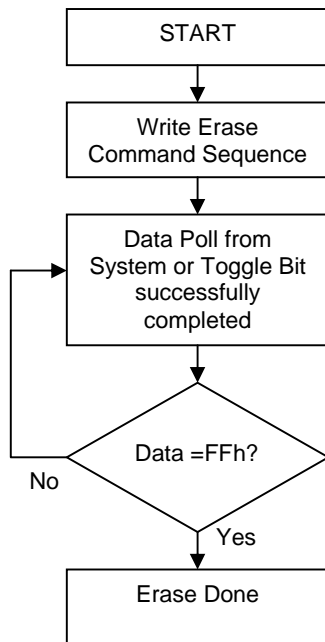


**Flowchart 2. Embedded Program Command Sequence**

See the Command Definitions section for more information on WORD mode.



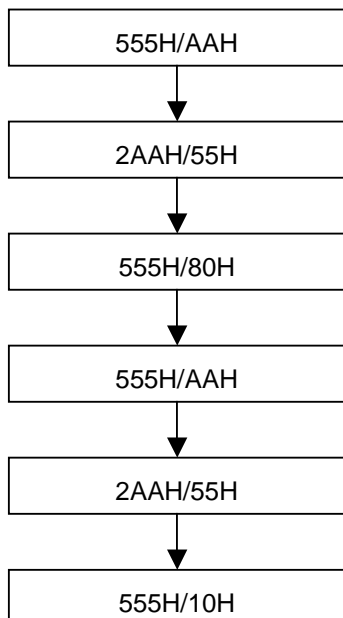
**Flowchart 3. Embedded Erase**



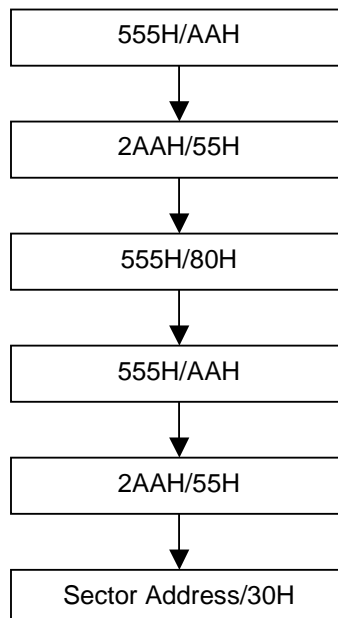
**Flowchart 4. Embedded Erase Command Sequence**

See the Command Definitions section for more information on WORD mode.

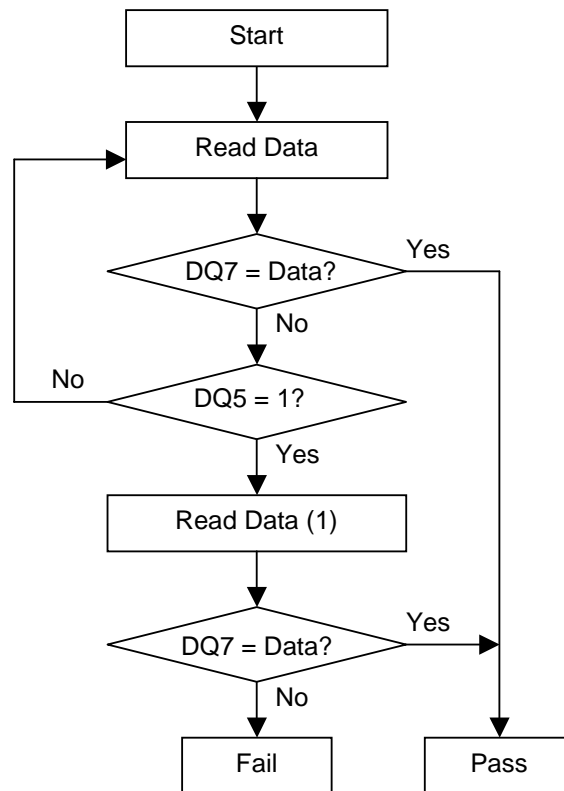
**Chip Erase**



**Sector Erase**



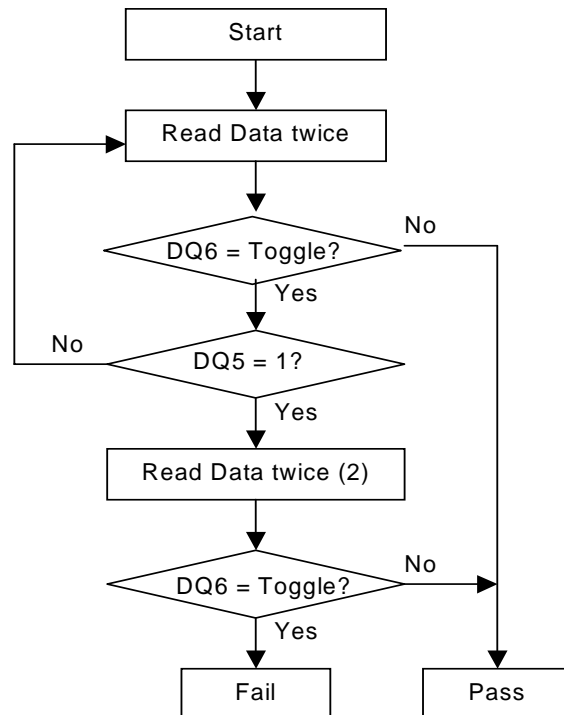
**Flowchart 5. DATA# Polling Algorithm**



Notes:

(1) This second read is necessary in case the first read was done at the exact instant when the status data was in transition.

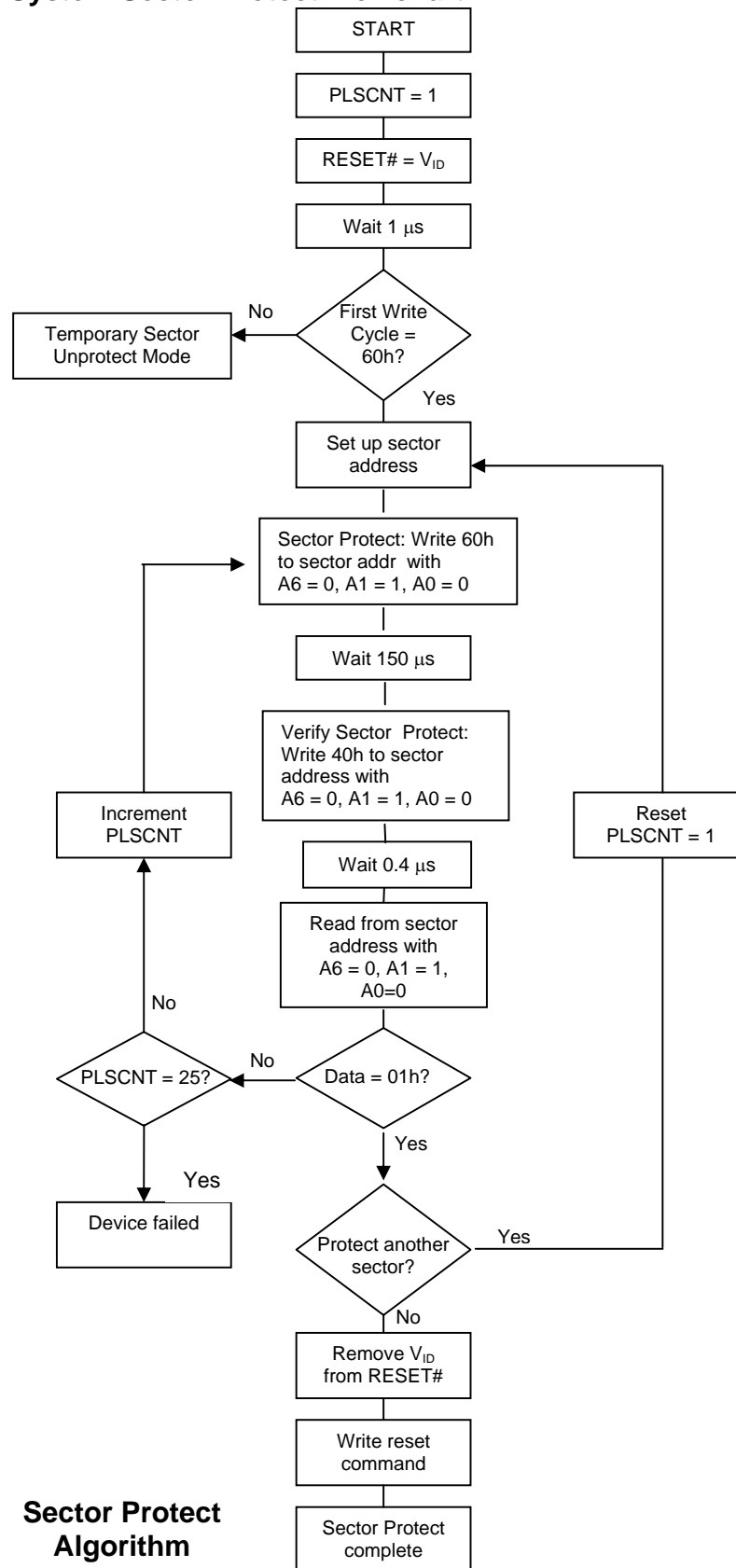
**Flowchart 6. Toggle Bit Algorithm**



Notes:

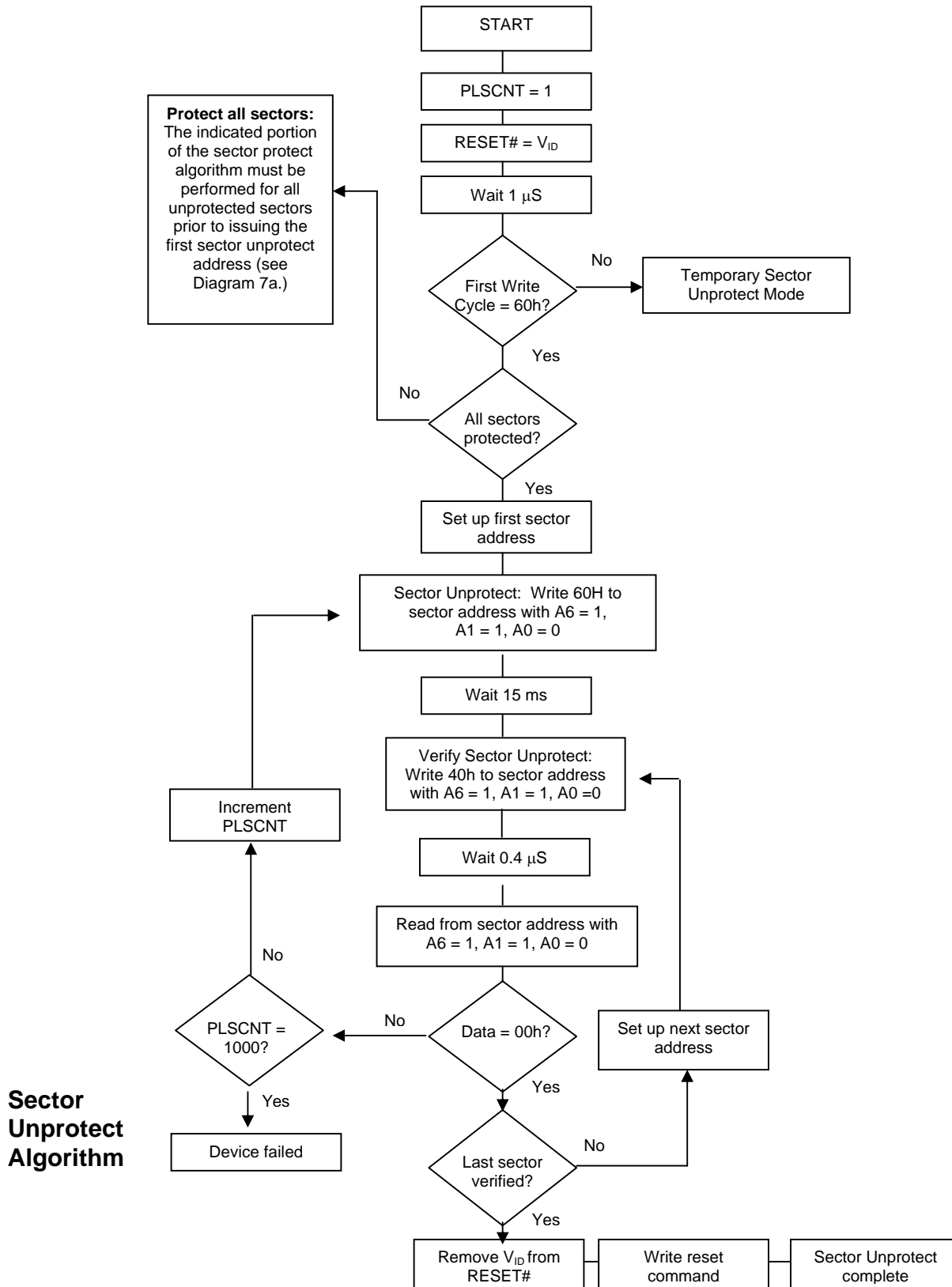
(2) This second set of reads is necessary in case the first set of reads was done at the exact instant when the status data was in transition.

**Flowchart 7a. In-System Sector Protect Flowchart**



**Sector Protect Algorithm**



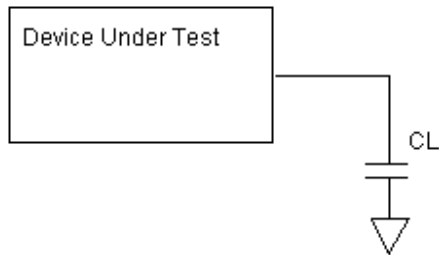
**Flowchart 7b. In-System Sector Unprotect Flowchart**


**Table 7. DC Characteristics**(T<sub>a</sub> = 0°C to 70°C or – 40°C to 85°C; V<sub>CC</sub> = 1.65-2.2V)

| Symbol           | Parameter                                      | Test Conditions  | Min                       | Typ  | Max                      | Unit |
|------------------|--|--|---------------------------|------|--------------------------|------|
| I <sub>LI</sub>  | Input Leakage Current                          | 0V ≤ V <sub>IN</sub> ≤ V <sub>CC</sub>   |                           |      | ±3                       | μA   |
| I <sub>LO</sub>  | Output Leakage Current                         | 0V ≤ V <sub>OUT</sub> ≤ V <sub>CC</sub>  |                           |      | ±3                       | μA   |
| I <sub>CC1</sub> | Active Read Current (Byte mode )               | CE# = V <sub>IL</sub> , OE# = V <sub>IH</sub> ,<br>F=5MHz                              |                           | 12   | 22                       | mA   |
|                  | Active Read Current (Word mode )               |  |                           | 12   | 22                       | mA   |
| I <sub>CC2</sub> | Standby Current ( CMOS )                       | CE# = BYTE# =<br>RESET# = V <sub>CC</sub> ± 0.3V<br>(Note 1)                           |                           | 0.2  | 5.0                      | μA   |
| I <sub>CC3</sub> | V <sub>CC</sub> , Reset Current                | CE# = BYTE# =<br>RESET# = V <sub>CC</sub> ± 0.3V<br>(Note 1)                           |                           | 0.2  | 5.0                      | μA   |
| I <sub>CC4</sub> | Supply Current (Program or Erase)              | Byte program, Sector or<br>Chip Erase in progress                                      |                           | 15   | 30                       | mA   |
| I <sub>CC5</sub> | Automatic Sleep Mode                           | V <sub>IH</sub> = V <sub>CC</sub> ± 0.3 V<br>V <sub>IL</sub> = V <sub>SS</sub> ± 0.3 V |                           | 0.2  | 5.0                      | μA   |
| V <sub>IL</sub>  | Input Low Voltage                              |  | -0.5                      |      | 0.3 x<br>V <sub>CC</sub> | V    |
| V <sub>IH</sub>  | Input High Voltage                             |  | 0.7 x<br>V <sub>CC</sub>  |      | V <sub>CC</sub> +<br>0.3 | V    |
| V <sub>OL</sub>  | Output Low Voltage                             | I <sub>OL</sub> = 2.0 mA   |                           |      | 0.25                     | V    |
| V <sub>OH</sub>  | Output High Voltage TTL                        | I <sub>OH</sub> = -2.0 mA  | 0.85 x<br>V <sub>CC</sub> |      |                          | V    |
|                  | Output High Voltage CMOS                       | I <sub>OH</sub> = -100 μA,   | V <sub>CC</sub> –<br>0.4V |      |                          | V    |
| V <sub>ID</sub>  | A9 Voltage (Electronic Signature)              |  | 9.0                       | 10.0 | 11.0                     | V    |
| I <sub>ID</sub>  | A9 Current (Electronic Signature)              | A9 = V <sub>ID</sub>   |                           |      | 50                       | μA   |
| V <sub>LKO</sub> | Supply voltage (Erase and<br>Program lock-out) |  | 1.2                       |      | 1.5                      | V    |

**Notes**

1. BYTE# pin can also be GND ± 0.3V. BYTE# and RESET# pin input buffers are always enabled so that they draw power if not at full CMOS supply voltages.

**Test Conditions**

**Test Specifications**

| Test Conditions                            |            | -90     | Unit |
|--|------------|---------|------|
| Output Load                                | 1 TTL gate |         |      |
| Output Load Capacitance, $C_L$             |            | 100     | pF   |
| Input Rise and Fall times                  |            | 5       | ns   |
| Input Pulse Levels                         |            | 0.0-2.0 | V    |
| Input timing measurement reference levels  |            | 1.0     | V    |
| Output timing measurement reference levels |            | 1.0     | V    |



### AC CHARACTERISTICS Hardware Reset (Reset#)

( $T_a = 0^{\circ}\text{C}$  to  $70^{\circ}\text{C}$  or  $-40^{\circ}\text{C}$  to  $85^{\circ}\text{C}$ ;  $V_{CC} = 1.65\text{-}2.2\text{V}$ )

| Parameter Std      | Description   | Test Setup | Speed options |     | Unit          |
|--------------------|---|------------|---------------|-----|---------------|
|                    |   |            |               | -90 |               |
| $t_{\text{READY}}$ | Reset# Pin Low to Read or Write Embedded Algorithms     | Max        | 20            |     | $\mu\text{s}$ |
| $t_{\text{READY}}$ | Reset# Pin Low to Read or Write Non Embedded Algorithms | Max        | 500           |     | ns            |
| $t_{\text{RP}}$    | Reset# Pulse Width                                      | Min        | 500           |     | ns            |
| $t_{\text{RH}}$    | Reset# High Time Before Read                            | Min        | 50            |     | ns            |

### Reset# Timings

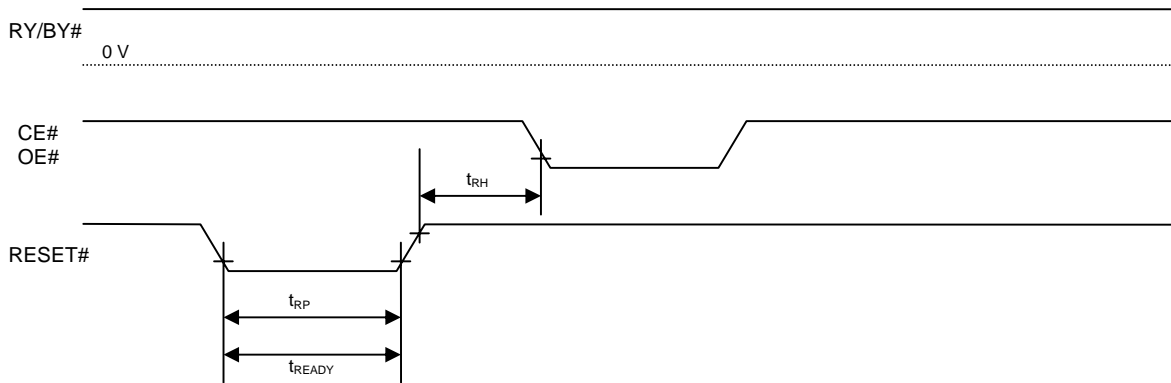


Figure 1. Reset Timing NOT During Embedded

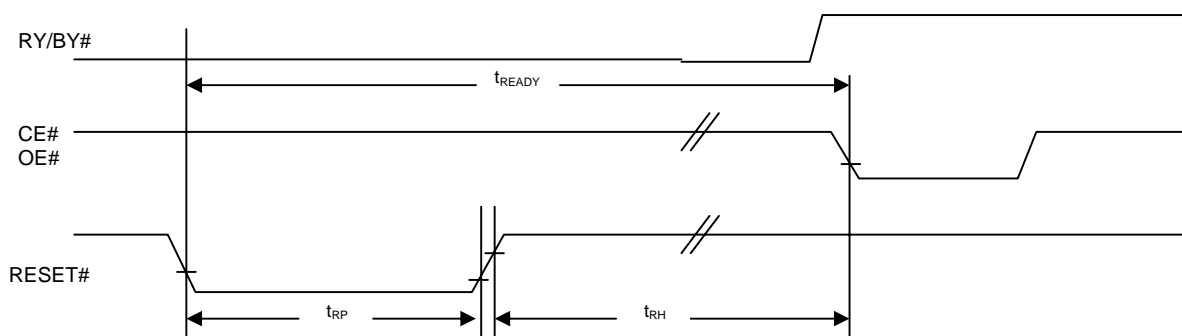
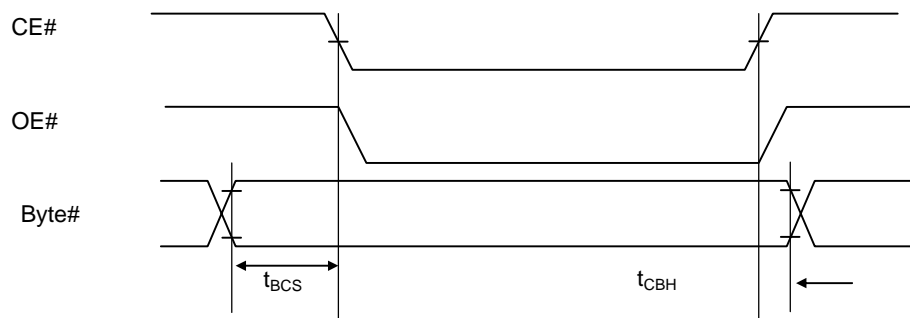
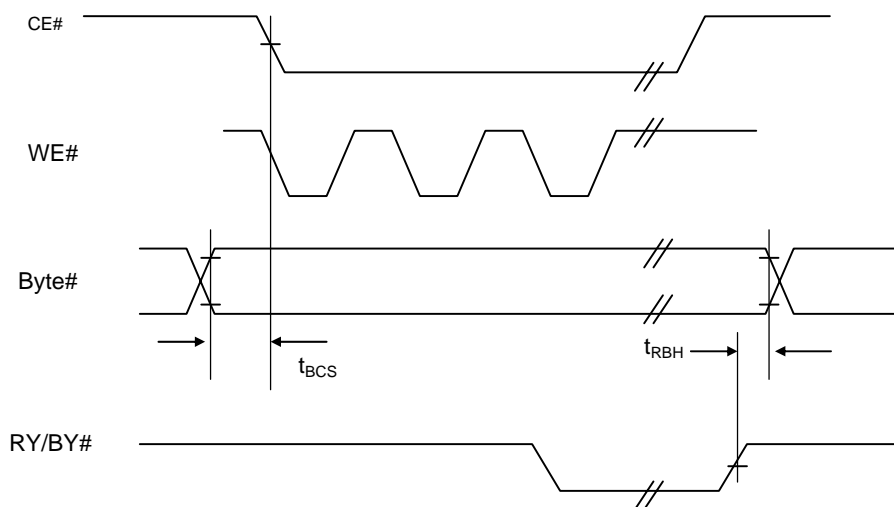


Figure 2. Reset Timings During Embedded

**AC CHARACTERISTICS**
**Word / Byte Configuration (Byte#)**

 (T<sub>a</sub> = 0°C to 70°C or -40°C to 85°C; V<sub>CC</sub> = 1.65-2.2V)

| Std Parameter    | Description                         |     | Speed |     | Unit |
|------------------|-------------------------------------|-----|-------|-----|------|
|                  |                                     |     |       | -90 |      |
| t <sub>BCS</sub> | Byte# to CE# switching setup time   | Min |       | 0   | ns   |
| t <sub>CBH</sub> | CE# to Byte# switching hold time    | Min |       | 0   | ns   |
| t <sub>RBH</sub> | RY/BY# to Byte# switching hold time | Min |       | 0   | ns   |


**Figure 3. Byte# timings for Read Operations**

**Figure 4. Byte# timings for Write Operations**

Note: Switching BYTE# pin not allowed during embedded operations



**Table 8. AC CHARACTERISTICS**

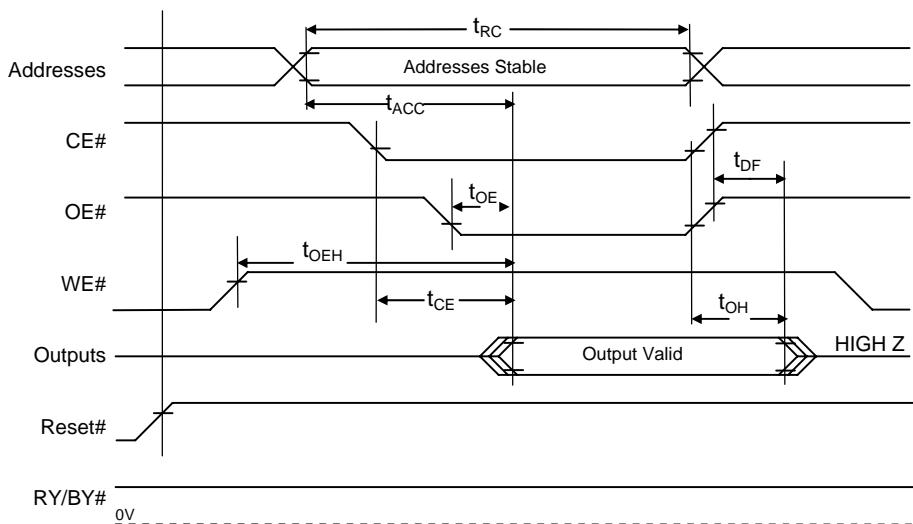
( $T_a = 0^\circ\text{C}$  to  $70^\circ\text{C}$  or  $-40^\circ\text{C}$  to  $85^\circ\text{C}$ ;  $V_{CC} = 1.65\text{-}2.2\text{ V}$ )

**Read-only Operations Characteristics**

| Parameter Symbols |           | Description   | Test Setup                       |     | Speed Options |    | Unit |
|-------------------|-----------|---|----------------------------------|-----|---------------|----|------|
| JEDEC             | Standard  |   |                                  |     | -90           |    |      |
| $t_{AVAV}$        | $t_{RC}$  | Read Cycle Time   |                                  | Min |               | 90 | ns   |
| $t_{AVQV}$        | $t_{ACC}$ | Address to Output Delay   | CE# = $V_{IL}$<br>OE# = $V_{IL}$ | Max |               | 90 | ns   |
| $t_{ELQV}$        | $t_{CE}$  | Chip Enable To Output Delay   | OE# = $V_{IL}$                   | Max |               | 90 | ns   |
| $t_{GLQV}$        | $t_{OE}$  | Output Enable to Output Delay                                       |                                  | Max |               | 35 | ns   |
| $t_{EHQZ}$        | $t_{DF}$  | Chip Enable to Output High Z  |                                  | Max |               | 20 | ns   |
| $t_{GHQZ}$        | $t_{DF}$  | Output Enable to Output High Z                                      |                                  | Max |               | 20 | ns   |
| $t_{AXQX}$        | $t_{OH}$  | Output Hold Time from Addresses, CE# or OE#, whichever occurs first |                                  | Min |               | 0  | ns   |

**Notes :**

For - 90  $V_{CC} = 1.65 - 2.2\text{V}$   
 Output Load: 1 TTL gate and 100 pF  
 Input Rise and Fall Times: 5 ns  
 Input Pulse Levels: 0.0 V to  $V_{CC}$   
 Timing Measurement Reference Level, Input and Output: 1.0 V



**Figure 5. AC Waveforms for READ Operations**



**Table 9. AC CHARACTERISTICS**

(T<sub>a</sub> = 0°C to 70°C or -40°C to 85°C; V<sub>CC</sub> = 1.65-2.2V)

**Write (Erase/Program) Operations**

| Parameter Symbols  |                    | Description   |      | Speed Options |     | Unit |    |
|--------------------|--------------------|---|------|---------------|-----|------|----|
| JEDEC              | Standard           |   |      |               | -90 |      |    |
| t <sub>AVAV</sub>  | t <sub>WC</sub>    | Write Cycle Time                                      | Min  |               | 90  | ns   |    |
| t <sub>AVWL</sub>  | t <sub>AS</sub>    | Address Setup Time                                    | Min  |               | 0   | ns   |    |
| t <sub>WLAX</sub>  | t <sub>AH</sub>    | Address Hold Time                                     | Min  |               | 45  | ns   |    |
| t <sub>DVWH</sub>  | t <sub>DS</sub>    | Data Setup Time                                       | Min  |               | 45  | ns   |    |
| t <sub>WHDX</sub>  | t <sub>DH</sub>    | Data Hold Time  | Min  |               | 0   | ns   |    |
|                    | t <sub>OES</sub>   | Output Enable Setup Time                              | Min  |               | 0   | ns   |    |
| t <sub>GHWL</sub>  | t <sub>GHWL</sub>  | Read Recovery Time before Write (OE# High to WE# Low) | Min  |               | 0   | ns   |    |
| t <sub>ELWL</sub>  | t <sub>CS</sub>    | CE# SetupTime   | Min  |               | 0   | ns   |    |
| t <sub>WHEH</sub>  | t <sub>CH</sub>    | CE# Hold Time   | Min  |               | 0   | ns   |    |
| t <sub>WLWH</sub>  | t <sub>WP</sub>    | Write Pulse Width                                     | Min  |               | 45  | ns   |    |
| t <sub>WHDL</sub>  | t <sub>WPH</sub>   | Write Pulse Width High                                | Min  |               | 20  | ns   |    |
| t <sub>WHWH1</sub> | t <sub>WHWH1</sub> | Programming Operation                                 | Byte | Typ           |     | 5    | μs |
|                    |                    |   | Word | Typ           |     | 7    | μs |
| t <sub>WHWH2</sub> | t <sub>WHWH2</sub> | Sector Erase Operation                                | Typ  |               |     | 0.5  | s  |



**Table 10. AC CHARACTERISTICS**

(T<sub>a</sub> = 0°C to 70°C or – 40°C to 85°C; V<sub>CC</sub> = 1.65-2.2V)

**Write (Erase/Program) Operations**

Alternate CE# Controlled Writes

| Parameter Symbols  |                    | Description   |      | Speed Options |     | Unit |
|--------------------|--------------------|---|------|---------------|-----|------|
| JEDEC              | Standard           |   |      | -90           |     |      |
| t <sub>AVAV</sub>  | t <sub>WC</sub>    | Write Cycle Time                                      | Min  |               | 90  | ns   |
| t <sub>AVEL</sub>  | t <sub>AS</sub>    | Address Setup Time                                    | Min  |               | 0   | ns   |
| t <sub>ELAX</sub>  | t <sub>AH</sub>    | Address Hold Time                                     | Min  |               | 45  | ns   |
| t <sub>DVEH</sub>  | t <sub>DS</sub>    | Data Setup Time                                       | Min  |               | 45  | ns   |
| t <sub>EHDX</sub>  | t <sub>DH</sub>    | Data Hold Time  | Min  |               | 0   | ns   |
|                    | t <sub>OES</sub>   | Output Enable Setup Time                              | Min  |               | 0   | ns   |
| t <sub>GHEL</sub>  | t <sub>GHEL</sub>  | Read Recovery Time before Write (OE# High to CE# Low) | Min  |               | 0   | ns   |
| t <sub>WLEL</sub>  | t <sub>WS</sub>    | WE# SetupTime   | Min  |               | 0   | ns   |
| t <sub>EHWH</sub>  | t <sub>WH</sub>    | WE# Hold Time   | Min  |               | 0   | ns   |
| t <sub>ELEH</sub>  | t <sub>CP</sub>    | CE# Pulse Width                                       | Min  |               | 45  | ns   |
| t <sub>EHEL</sub>  | t <sub>CPH</sub>   | CE# Pulse Width High                                  | Min  |               | 20  | ns   |
| t <sub>WHWH1</sub> | t <sub>WHWH1</sub> | Programming Operation                                 | Byte | Typ           | 5   | µs   |
|                    |                    |   | Word | Typ           | 7   | µs   |
| t <sub>WHWH2</sub> | t <sub>WHWH2</sub> | Sector Erase Operation                                | Typ  |               | 0.5 | s    |



**Table 11. ERASE AND PROGRAMMING PERFORMANCE**

| Parameter               | Limits |      |        | Comments                                  |
|-------------------------|--------|------|--------|---|
|                         | Typ    | Max  | Unit   |   |
| Sector Erase Time       | 0.5    | 10   | sec    | Excludes 00H programming prior to erasure |
| Chip Erase Time         | 17.5   |      | sec    |   |
| Byte Programming Time   | 5      | 300  | µs     | Excludes system level overhead            |
| Word Programming Time   | 7      | 300  | µs     |   |
| Chip Programming Time   | Byte   | 10.6 | sec    |   |
|                         | Word   | 7.4  |        |   |
| Erase/Program Endurance | 100K   |      | cycles | Minimum 100K cycles                       |

**Table 12. LATCH UP CHARACTERISTICS**

| Parameter Description   | Min     | Max              |
|---|---------|------------------|
| Input voltage with respect to $V_{ss}$ on all pins except I/O pins (including A9, Reset# and OE#) | -1.0 V  | 12.0 V           |
| Input voltage with respect to $V_{ss}$ on all I/O Pins  | -1.0 V  | $V_{cc} + 1.0 V$ |
| $V_{cc}$ Current  | -100 mA | 100 mA           |

**Note :** These are latch up characteristics and the device should never be put under these conditions. Refer to Absolute Maximum ratings for the actual operating limits.

**Table 14. 48-PIN TSOP PIN CAPACITANCE @ 25°C, 1.0MHz**

( $V_{cc} = 1.65-2.2V$ )

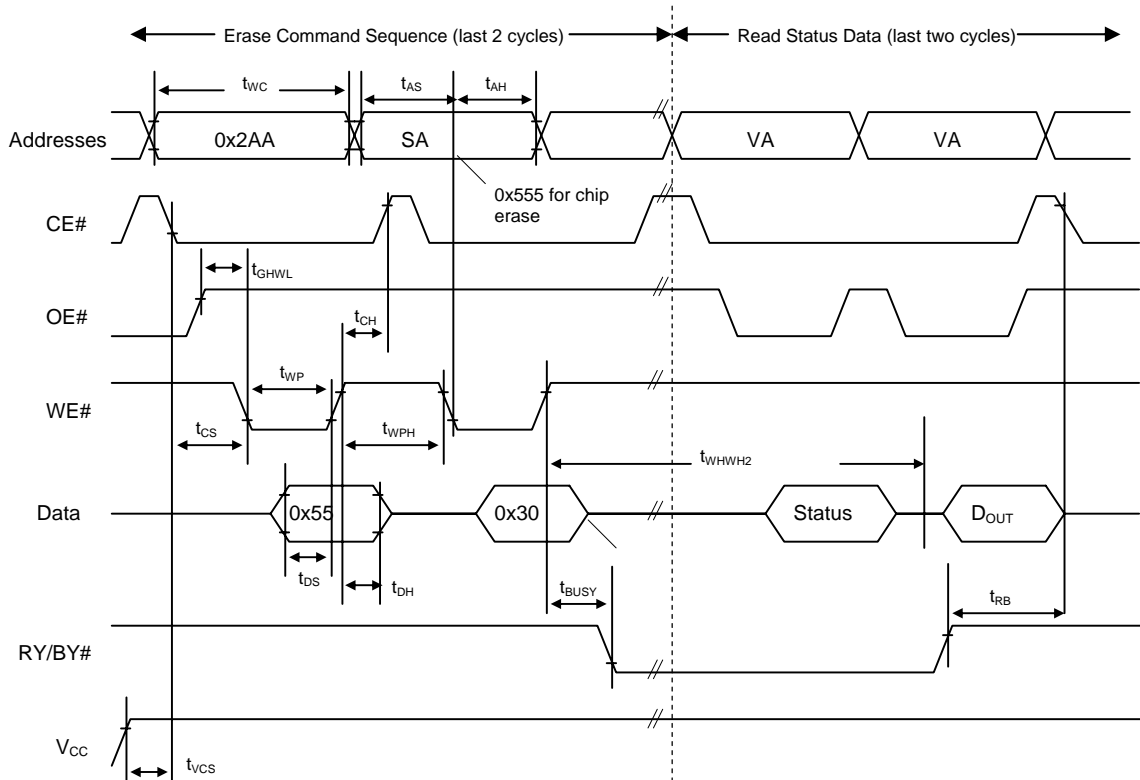
| Parameter Symbol | Parameter Description   | Test Setup    | Typ | Max | Unit |
|------------------|-------------------------|---------------|-----|-----|------|
| $C_{IN}$         | Input Capacitance       | $V_{IN} = 0$  | 6   | 7.5 | pF   |
| $C_{OUT}$        | Output Capacitance      | $V_{OUT} = 0$ | 8.5 | 12  | pF   |
| $C_{IN2}$        | Control Pin Capacitance | $V_{IN} = 0$  | 7.5 | 9   | pF   |

**Table 15. DATA RETENTION**

| Parameter Description               | Test Conditions | Min | Unit  |
|-------------------------------------|-----------------|-----|-------|
| Minimum Pattern Data Retention Time | 150°C           | 10  | Years |
|                                     | 125°C           | 20  | Years |

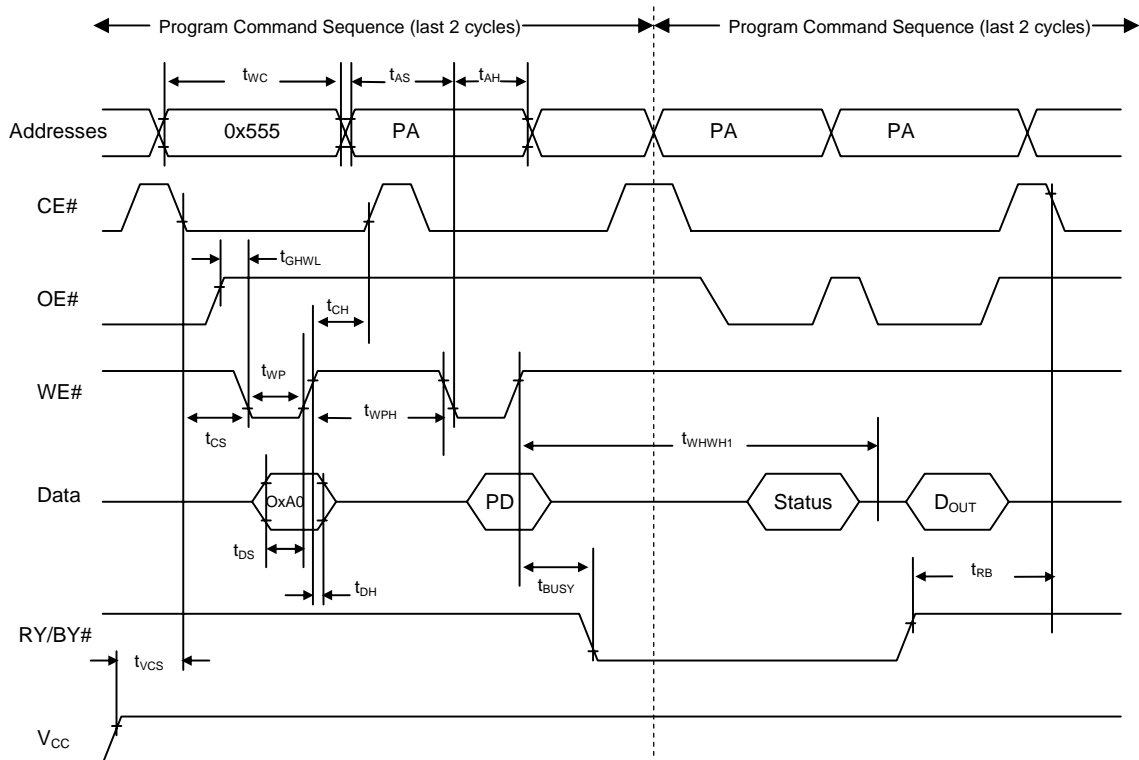
## AC CHARACTERISTICS

**Figure 6. AC Waveforms for Chip/Sector Erase Operations Timings**

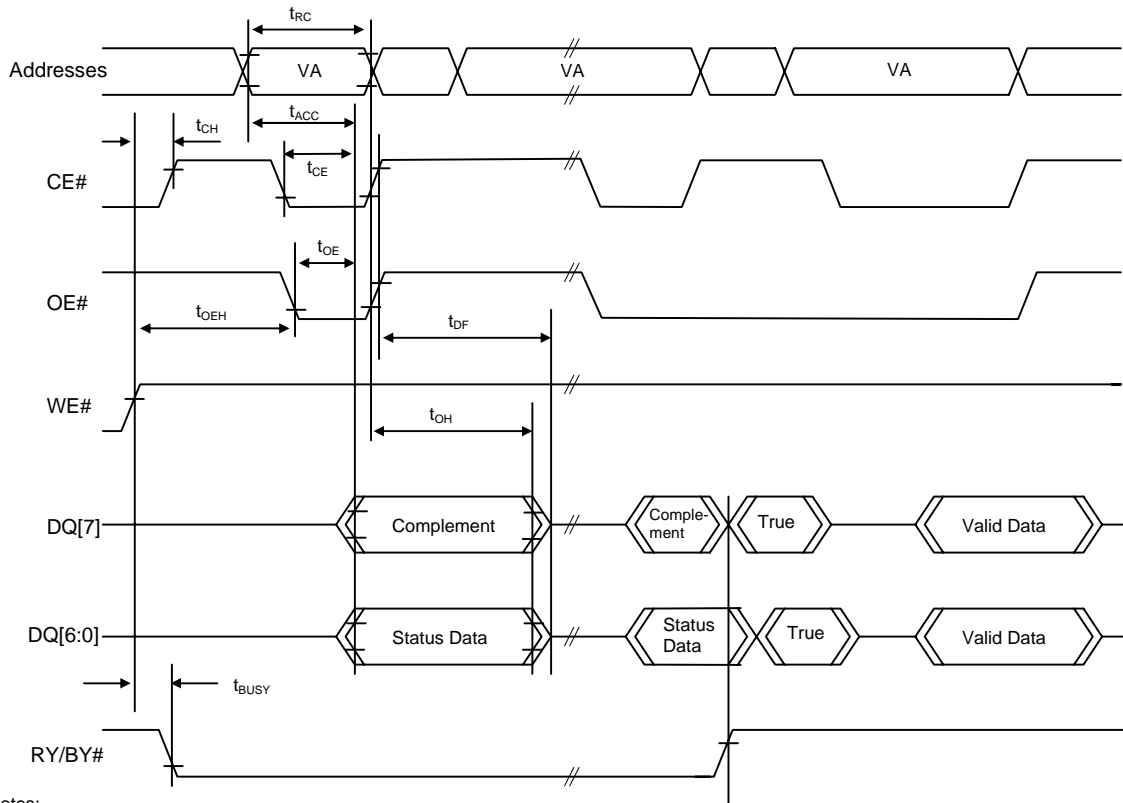


**Notes:**

1. SA=Sector Address (for sector erase), VA=Valid Address for reading status,  $D_{OUT}$ =true data at read address.
2.  $V_{CC}$  shown only to illustrate  $t_{VCS}$  measurement references. It cannot occur as shown during a valid command sequence.

**Figure 7. Program Operation Timings**

**Notes:**

1. PA=Program Address, PD=Program Data,  $D_{OUT}$  is the true data at the program address.
2.  $V_{CC}$  shown in order to illustrate  $t_{VCS}$  measurement references. It cannot occur as shown during a valid command sequence.

**Figure 8. AC Waveforms for /DATA Polling During Embedded Algorithm Operations**


Notes:

1. VA=Valid Address for reading Data# Polling status data
2. This diagram shows the first status cycle after the command sequence, the last status read cycle and the array data read cycle.

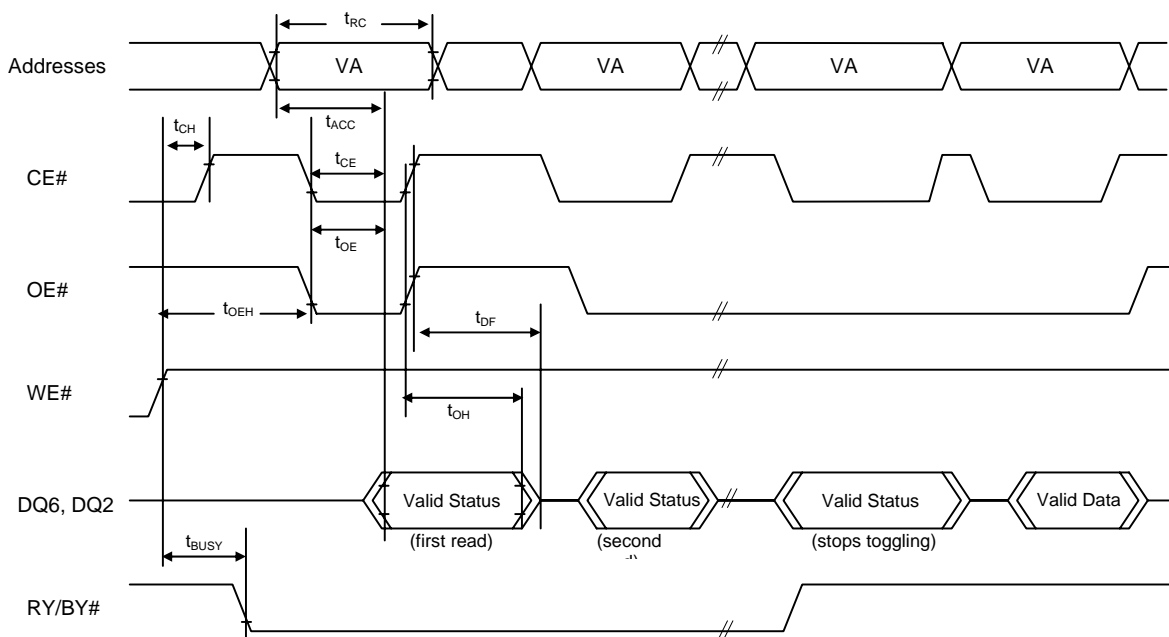
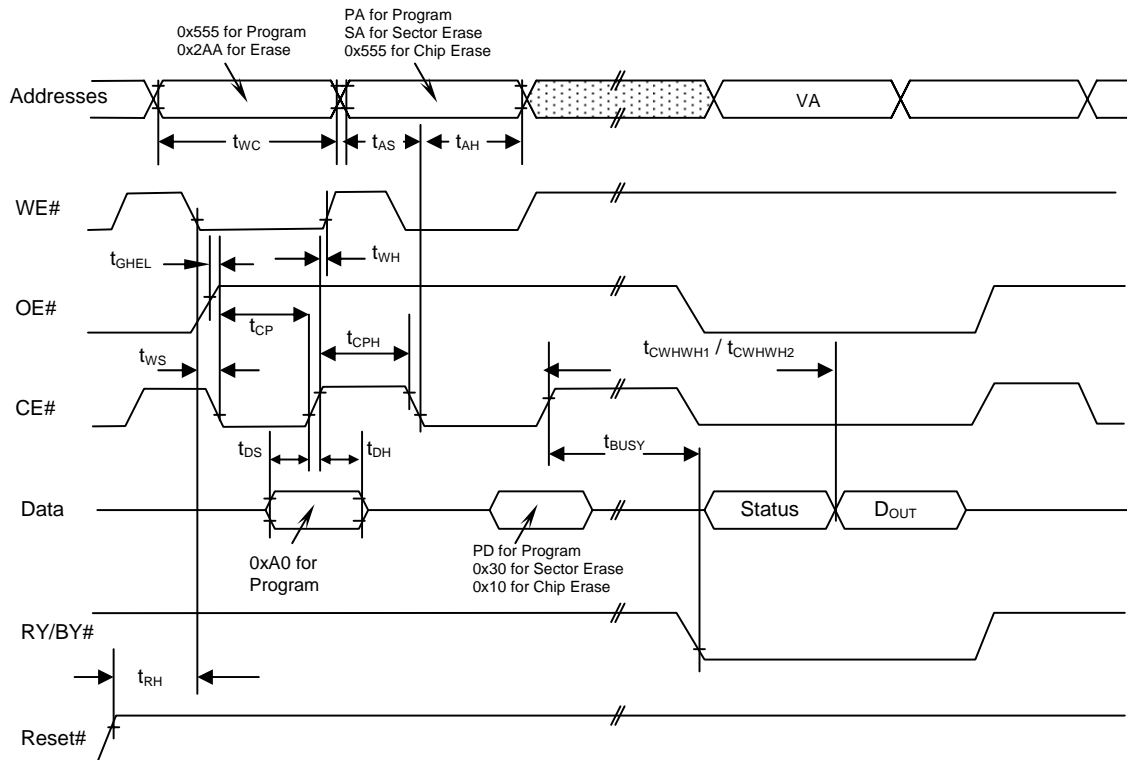
**Figure 9. AC Waveforms for Toggle Bit During Embedded Algorithm Operations**


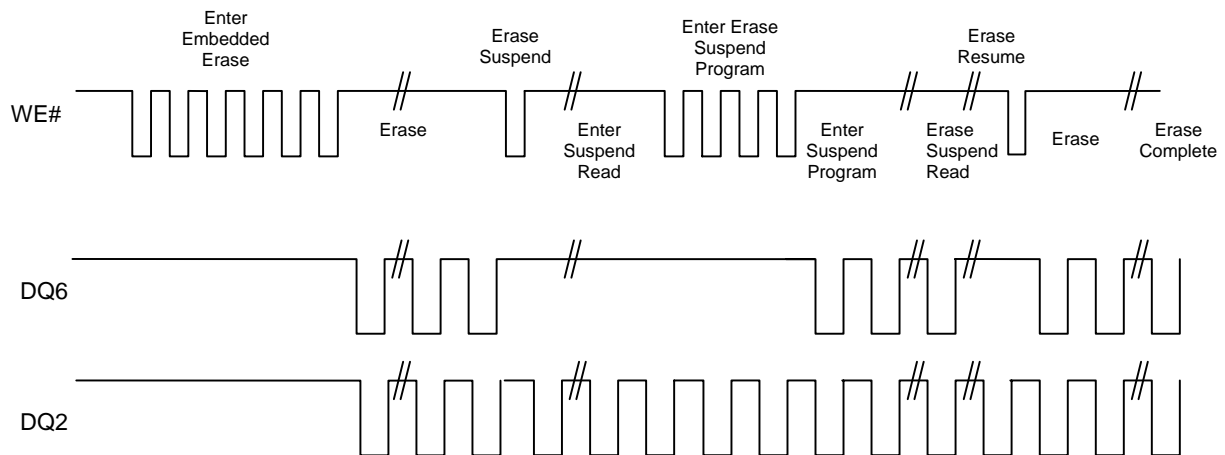
Figure 10. Alternate CE# Controlled Write Operation Timings

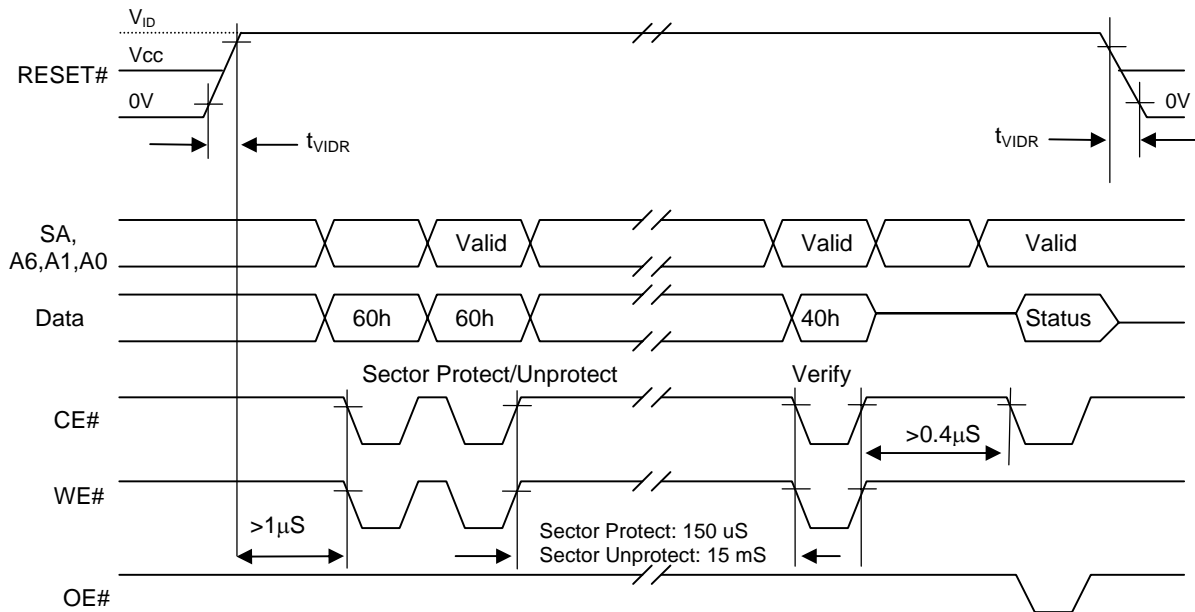


**Notes:**

PA = address of the memory location to be programmed.  
 PD = data to be programmed at byte address.  
 VA = Valid Address for reading program or erase status  
 D<sub>out</sub> = array data read at VA  
 Shown above are the last two cycles of the program or erase command sequence and the last status read cycle  
 Reset# shown to illustrate t<sub>RH</sub> measurement references. It cannot occur as shown during a valid command sequence.

Figure 11. DQ2 vs. DQ6

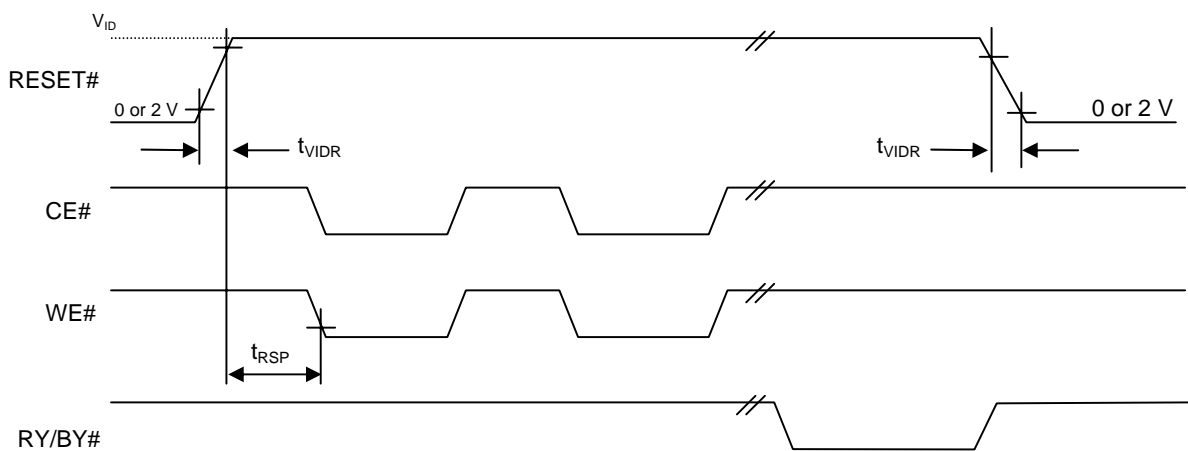


**Figure 12. Sector Protect/Unprotect Timing Diagram**

**Notes:**

Use standard microprocessor timings for this device for read and write cycles.  
 For Sector Protect, use A6=0, A1=1, A0=0. For Sector Unprotect, use A6=1, A1=1, A0=0.

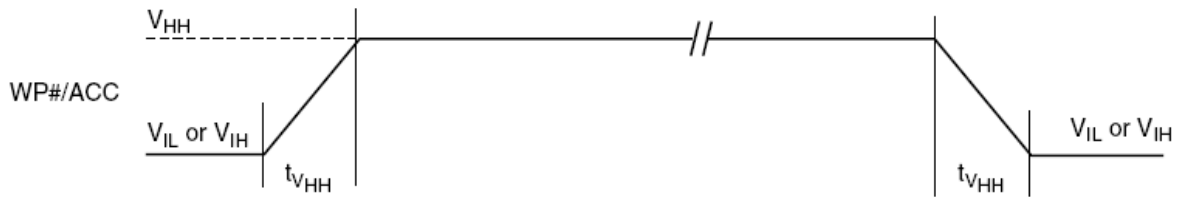
**Temporary Sector Unprotect**

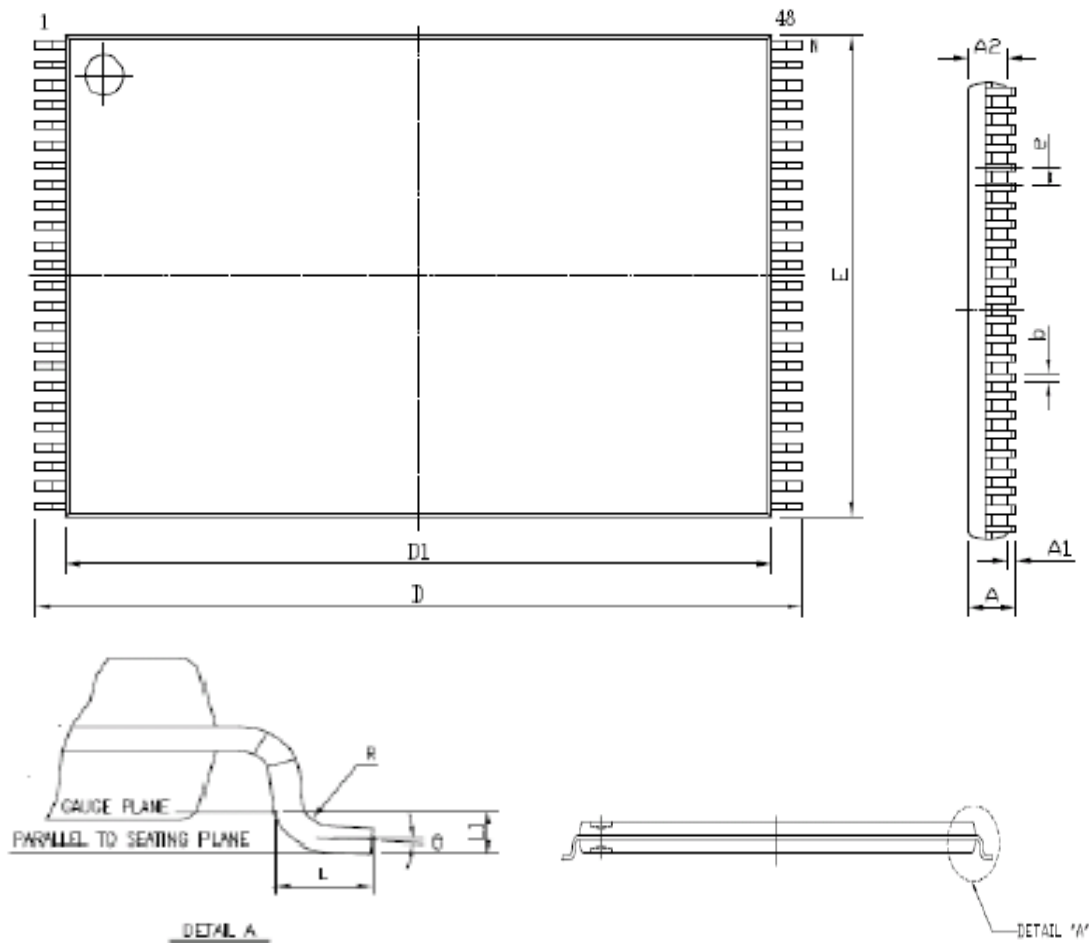
| Parameter Std | Description                                      |     | Speed Option |     | Unit    |
|---------------|--|-----|--------------|-----|---------|
|               |  |     |              | -90 |         |
| $t_{VIDR}$    | $V_{ID}$ Rise and Fall Time                      | Min | 500          |     | ns      |
| $t_{RSP}$     | RESET# Setup Time for Temporary Sector Unprotect | Min | 4            |     | $\mu$ s |

**Figure 13. Temporary Sector Unprotect Timing Diagram**


**Write Protect / Accelerated Program**

**Figure 14. Accelerated Program Timing Diagram**



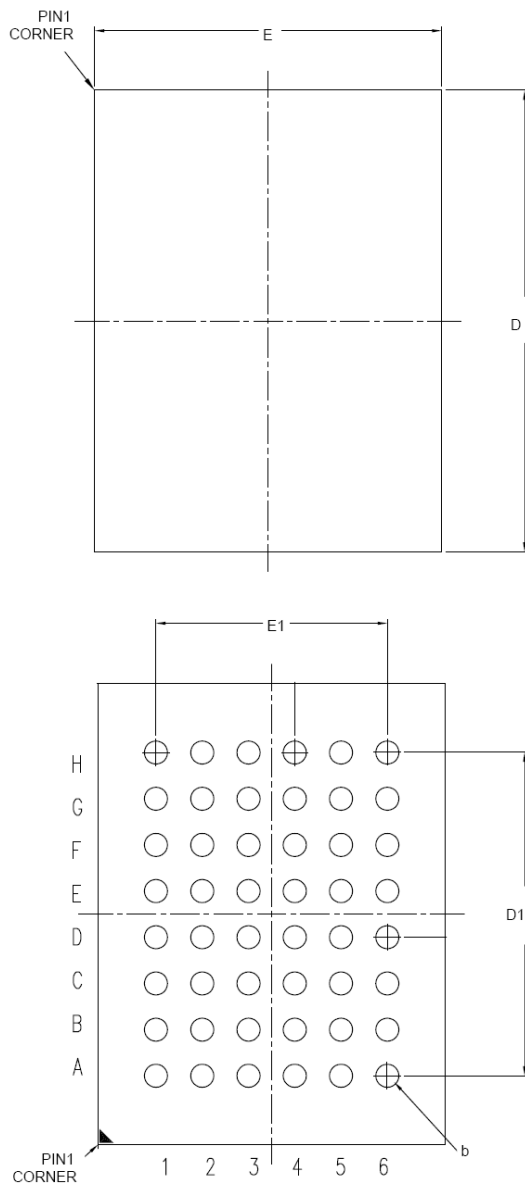
**FIGURE 15. 48L TSOP 12mm x 20mm package outline**


| SYMBOL   | DIMENSION IN MM |             |             |
|----------|-----------------|-------------|-------------|
|          | MIN.            | NOR         | MAX         |
| A        | ---             | ---         | 1.20        |
| A1       | 0.05            | ---         | 0.15        |
| A2       | 0.95            | 1.00        | 1.05        |
| D        | 19.80           | 20.00       | 20.20       |
| D1       | 18.30           | 18.40       | 18.50       |
| E        | 11.9            | 12.00       | 12.10       |
| e        | ---             | 0.50        | ---         |
| b        | 0.17            | 0.22        | 0.27        |
| L        | 0.5             | 0.60        | 0.70        |
| L1       | ---             | 0.25        | ---         |
| R        | 0.08            | ---         | 0.20        |
| $\theta$ | $0^{\circ}$     | $3^{\circ}$ | $5^{\circ}$ |

Note : 1. Coplanarity: 0.1 mm

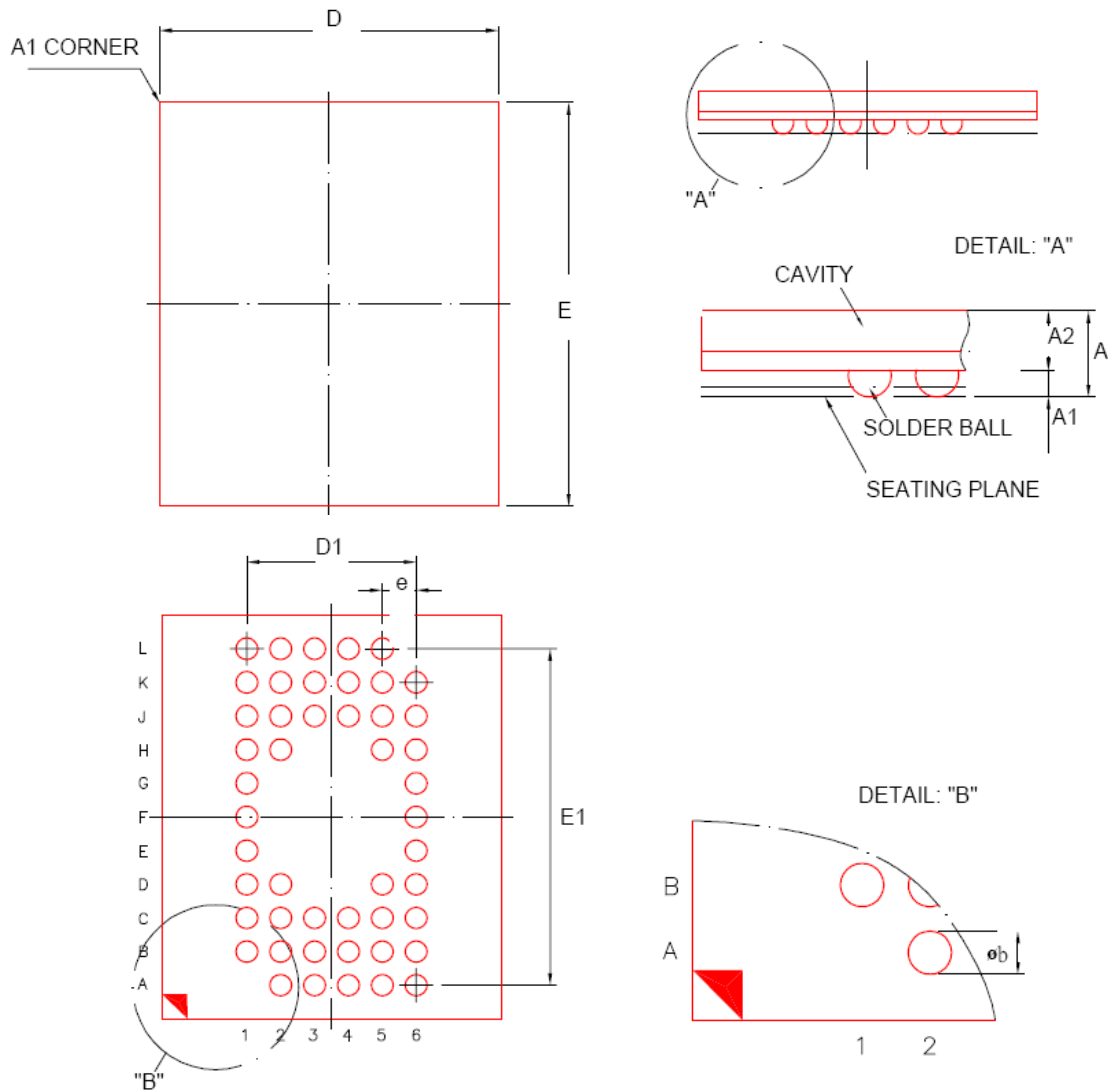
2. Max. allowable mold flash is 0.15 mm  
at the pkg ends, 0.25 mm between leads.



**FIGURE 16. 48L TFBGA 6mm x 8mm package outline**


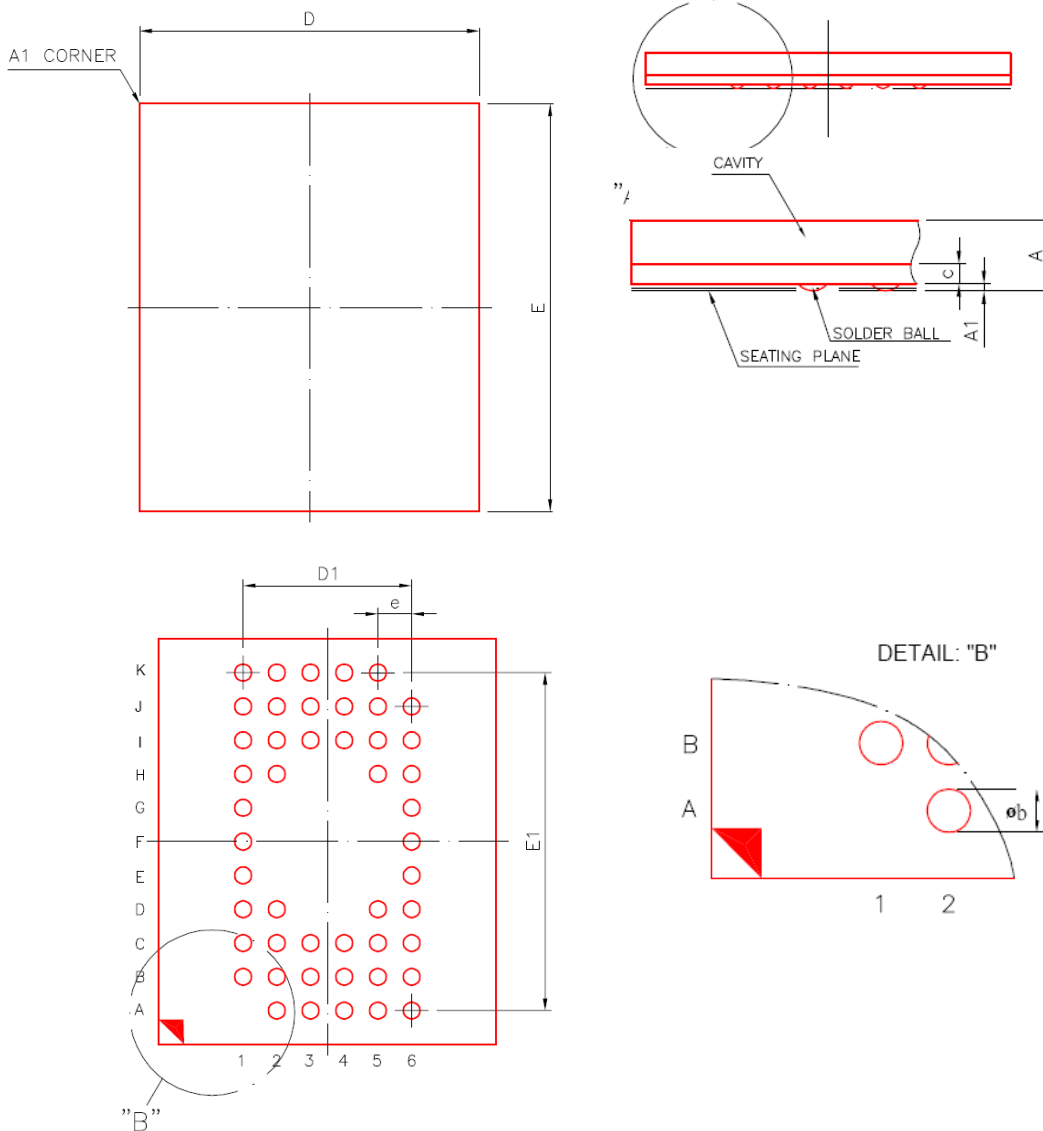
| SYMBOL | DIMENSION IN MM |      |      |
|--------|-----------------|------|------|
|        | MIN.            | NOR  | MAX  |
| A      | ---             | ---  | 1.30 |
| A1     | 0.23            | 0.29 | ---  |
| A2     | 0.84            | 0.91 | ---  |
| D      | 7.90            | 8.00 | 8.10 |
| E      | 5.90            | 6.00 | 6.10 |
| D1     | ---             | 5.60 | ---  |
| E1     | ---             | 4.00 | ---  |
| e      | ---             | 0.80 | ---  |
| b      | 0.35            | 0.40 | 0.45 |

Note : 1. Coplanarity: 0.1 mm

**FIGURE 17. 48L WFBGA 5mm x 6mm package outline**


| SYMBOL    | DIMENSION IN MM |              |             |
|-----------|-----------------|--------------|-------------|
|           | MIN.            | NOR          | MAX         |
| <b>A</b>  | ---             | ---          | <b>0.73</b> |
| <b>A1</b> | <b>0.16</b>     | <b>0.21</b>  | <b>0.26</b> |
| <b>A2</b> | ---             | <b>0.436</b> | ---         |
| <b>D</b>  | <b>4.90</b>     | <b>5.00</b>  | <b>5.10</b> |
| <b>E</b>  | <b>5.90</b>     | <b>6.00</b>  | <b>6.10</b> |
| <b>D1</b> | ---             | <b>2.50</b>  | ---         |
| <b>E1</b> | ---             | <b>5.00</b>  | ---         |
| <b>e</b>  | ---             | <b>0.50</b>  | ---         |
| <b>øb</b> | <b>0.27</b>     | <b>0.32</b>  | <b>0.37</b> |

**Note : 1. Coplanarity: 0.1 mm**

**FIGURE 18. 48L WLGA 5mm x 6mm package outline**


| SYMBOL    | DIMENSION IN MM |             |              |
|-----------|-----------------|-------------|--------------|
|           | MIN.            | NOR         | MAX          |
| <b>A</b>  | ---             | ---         | <b>0.535</b> |
| <b>A1</b> | <b>0.02</b>     | <b>0.05</b> | <b>0.08</b>  |
| <b>D</b>  | <b>4.90</b>     | <b>5.00</b> | <b>5.10</b>  |
| <b>E</b>  | <b>5.90</b>     | <b>6.00</b> | <b>6.10</b>  |
| <b>D1</b> | ---             | <b>2.50</b> | ---          |
| <b>E1</b> | ---             | <b>5.00</b> | ---          |
| <b>e</b>  | ---             | <b>0.50</b> | ---          |
| <b>øb</b> | <b>0.20</b>     | <b>0.25</b> | <b>0.30</b>  |

**Note : 1. Coplanarity: 0.06 mm**

**ABSOLUTE MAXIMUM RATINGS**

| Parameter                                 |   | Value                        | Unit |
|---|---|------------------------------|------|
| Storage Temperature                       |   | -65 to +125                  | °C   |
| Plastic Packages                          |   | -65 to +125                  | °C   |
| Ambient Temperature<br>With Power Applied |   | -55 to +125                  | °C   |
| Output Short Circuit Current <sup>1</sup> |   | 200                          | mA   |
| Voltage with<br>Respect to Ground         | A9, OE#, Reset#<br>and WP#/ACC <sup>2</sup> | -0.5 to +11.5                | V    |
|   | All other pins <sup>3</sup>                 | -0.5 to V <sub>cc</sub> +0.5 | V    |
|   | V <sub>cc</sub>                             | -0.5 to +4.0                 | V    |

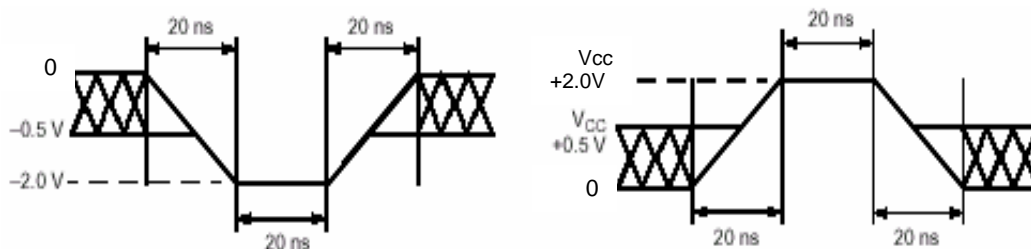
**Notes:**

- No more than one output shorted at a time. Duration of the short circuit should not be greater than one second.
- Minimum DC input voltage on A9, OE#, RESET# and WP#/ACC pins is -0.5V. During voltage transitions, A9, OE#, RESET# and WP#/ACC pins may undershoot V<sub>ss</sub> to -1.0V for periods of up to 50ns and to -2.0V for periods of up to 20ns. See figure below. Maximum DC input voltage on A9, OE#, and RESET# is 11.5V which may overshoot to 12.5V for periods up to 20ns.
- Minimum DC voltage on input or I/O pins is -0.5 V. During voltage transitions, inputs may undershoot V<sub>ss</sub> to -1.0V for periods of up to 50ns and to -2.0 V for periods of up to 20ns. See figure below. Maximum DC voltage on output and I/O pins is V<sub>cc</sub> + 0.5 V. During voltage transitions, outputs may overshoot to V<sub>cc</sub> + 1.5 V for periods up to 20ns. See figure below.
- Stresses above the values so mentioned above may cause permanent damage to the device. These values are for a stress rating only and do not imply that the device should be operated at conditions up to or above these values. Exposure of the device to the maximum rating values for extended periods of time may adversely affect the device reliability.

**RECOMMENDED OPERATING RANGES<sup>1</sup>**

| Parameter   | Value                 | Unit |
|---|-----------------------|------|
| Ambient Operating Temperature<br>Commercial Devices<br>Industrial Devices | 0 to 70<br>-40 to 85  | °C   |
| Operating Supply Voltage<br>V <sub>cc</sub>                               | Regulated: 2.0 to 2.2 | V    |
|   | Full: 1.65 to 2.2     |      |

1. Recommended Operating Ranges define those limits between which the functionality of the device is guaranteed.



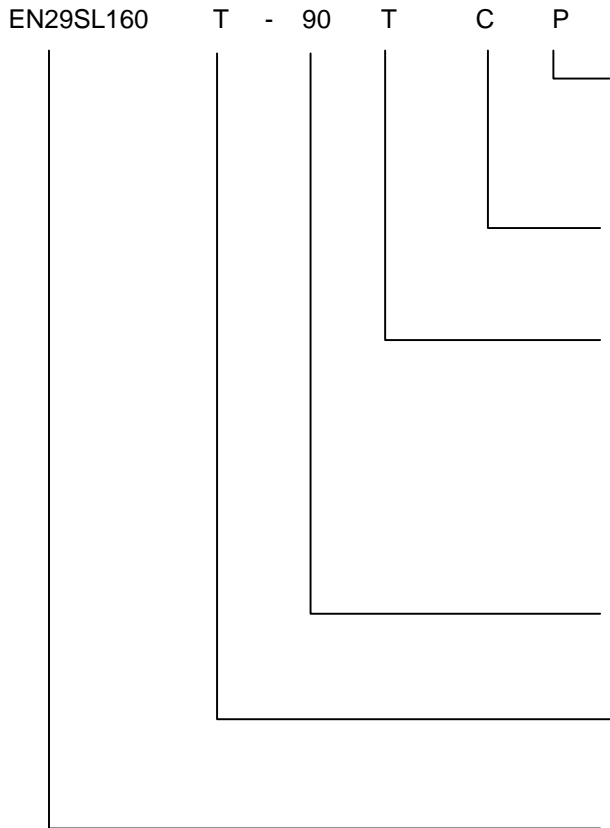
Maximum Negative Overshoot Waveform

Maximum Positive Overshoot Waveform



# EN29SL160

## ORDERING INFORMATION



### PACKAGING CONTENT

(Blank) = Conventional  
P = Pb Free

### TEMPERATURE RANGE

C = Commercial (0°C to +70°C)  
I = Industrial (-40°C to +85°C)

### PACKAGE

T = 48-pin TSOP  
B = 48-Ball Thin Fine Pitch Ball Grid Array (TFBGA)  
0.80mm pitch, 6mm x 8mm package  
M = 48-Ball Very-Very-Thin-Profile Fine Pitch  
Ball Grid Array (WFBGA)  
0.50mm pitch, 5mm x 6mm package  
K = 48-Ball Very-Very-Thin-Profile Fine Pitch  
Land Grid Array (WLGA)

### SPEED

90 = 90ns

### BOOT CODE SECTOR ARCHITECTURE

T = Top Sector  
B = Bottom Sector

### BASE PART NUMBER

EN = Eon Silicon Solution Inc.  
29SL = FLASH, 1.8V Read Program Erase  
160 = 16 Megabit (2M x 8 / 1M x 16)

**Revisions List**

| <b>Revision No</b> | <b>Description</b>  | <b>Date</b> |
|--------------------|---|-------------|
| A                  | Initial Release   | 2005/12/15  |
| B                  | 1. change boot sector to eight 8Kbyte sector at page 1,4,5<br>2. change I <sub>CC1</sub> Read current from 7 / 15mA to 12 / 22mA for typical and maximum condition<br>3. remove 70ns products at page 40  | 2006/10/25  |
| C                  | 1. Add WFBGA and WLGA package   | 2007/9/21   |
| D                  | 1. modify Sector Group Organization Table for (Un) Protection in page 11<br>2. Add Write Protect / Accelerated Program (WP# / ACC) function in page 12.<br>3. Correct the typo at Table 9,10 in page 31,32 for t <sub>WHWH1</sub> from Max. to Typ.<br>4. Correct the Byte Programming Time (typ.) from 8 to 5 and Word Programming Time (typ.) from 8 to 7 at Table 11 ERASE AND PROGRAMMING PERFORMANCE in page 33. | 2007/11/15  |
| E                  | Correct the density configuration in ordering information, in page 45   | 2008/03/04  |
| F                  | Change the FBGA 48 Ball package thickness from 1.31mm to 1.30mm in page 41  | 2008/07/07  |
| G                  | Modify WFBGA and WLGA package Ball H6 from NC to Reset# in page 3   | 2008/09/09  |