



认 可 书

SPECIFICATION FOR APPROVAL

客户名称

CUSTOMER :

客户型号

CLIENT TYPE :

产品编号 ENH-OBG24P154A

PRODUCTION NO.:

出品日期

SHIPMENT DATE: 2017 年 10 月 19 日

客户确认签章:

VALIDATED:

| | 签名 SIGNATURE | 日期 DATE |
|-------------|--------------|------------|
| 拟制 PREPARED | 罗浩 | 2017-10-19 |
| 审核 CHECKED | 罗锦炜 | 2017-10-19 |
| 批准 APPROVED | 罗锦炜 | 2017-10-19 |

CONTENTS

| | | |
|----|--|-------|
| 1 | CONTENTS ----- | 2 |
| 2 | RECORDS OF REVISION ----- | 3 |
| 3 | GENERAL SPECIFICATIONS ----- | 4 |
| 4 | FEATURES ----- | 4 |
| 5 | MACHANICAL SPECIFICATIONS ----- | 4 |
| 6 | OUTLINE DIMENSIONS ----- | 5 |
| 7 | INERFACE SPECIFICATIONS ----- | 6-11 |
| 8 | ABSOLUTE MAXIMUM RATINGS ----- | 12 |
| 9 | ELECTRICAL CHARACTERISTICS ----- | 13-17 |
| 10 | FUNCTIONNAL SPECIFICATIONS ----- | 18-22 |
| 11 | RELIABILITY ----- | 23 |
| 12 | Outgoing Quality Control Specifications ----- | 24-27 |
| 13 | Package Specifications ----- | 28 |
| 14 | Precautions When Using These OEL Display Modules ----- | 29-31 |
| | | |
| | | |
| | | |
| | | |

| | | | | | |
|--------------------------|--------------------------|-----------------------|----------------|-------------|---------------|
| STANDARD DOC. | PRODUCT SPEC. | MODULE NO. | ENH-OBG24P154A | PAGE | 4 / 31 |
|--------------------------|--------------------------|-----------------------|----------------|-------------|---------------|

3. GENERAL SPECIFICATIONS :

3-1 SCOPE:

This specification covers the delivery requirements for the organic light emitting diode display delivered by quality to Customer.

3-2 PRODUCTS:

Organic light emitting diode (OLED)

3-3 MODULE NAME:

ENH-OBG24P154A

4. FEATURES :

- (1) Display Color: WHITE
- (2) Dot Matrix: 128x64
- (3) Drive IC: SPD0301ZD
- (4) Viewing Angle: 160°
- (5) Aperture rate: 86%
- (6) Interface: 6800/8080 interface, 4 wire serial interface, I²C

5. MACHANICAL SPECIFICATIONS :

| ITEM | SPECIFICATIONS UNIT | |
|--------------|---------------------------|-----|
| MODULE SIZE | 42.04(W)x27.22(H)x1.41(D) | mm |
| VIEWING AREA | 37.052 (W) x 19.516(H) | mm |
| ACTIVE AREA | 35.052(W) x17.516(H) | mm |
| DOT SIZE | 0.254(W) x0.254(H) | mm |
| DOT PITCH | 0.274(W) x0.274 (H) | mm |
| ASSY.TYPE | COG | --- |
| WEIGHT | TBD | |

NOTES:

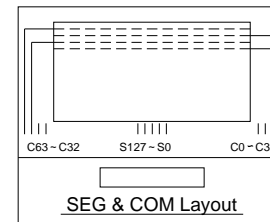
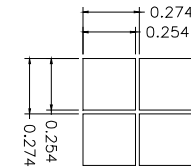
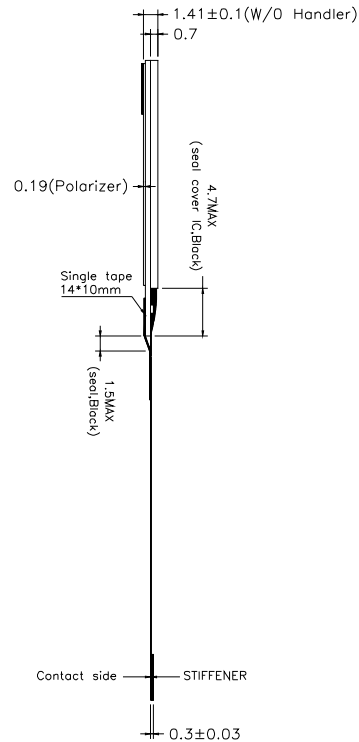
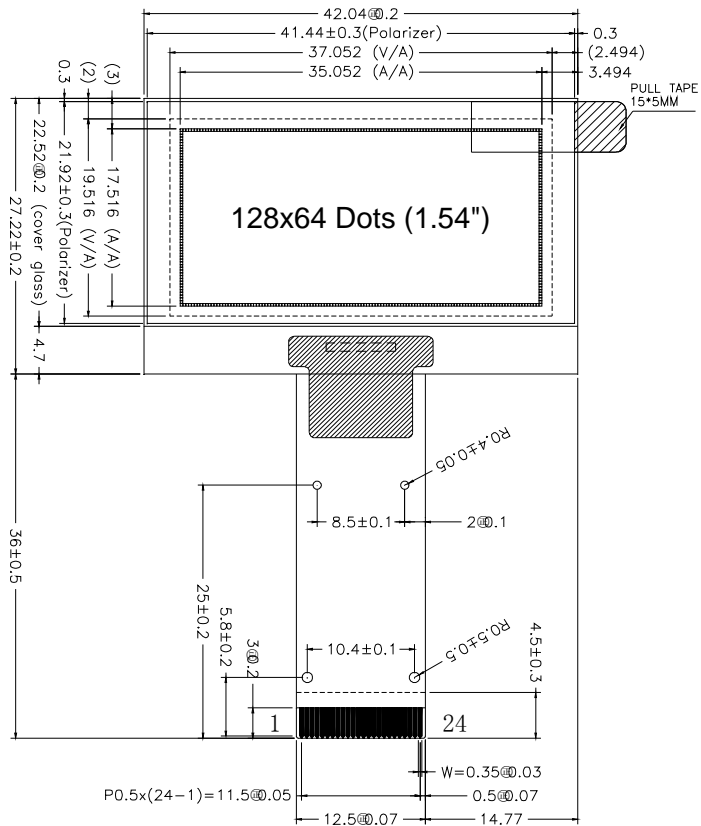
OLED should be grounded during handling OLED.

6. OUTLINE DIMENSIONS

All Pages Of This Edition Approved

Signature: _____ Date: _____

| REV. | DESCRIPTION | REVISER | DATE |
|------|-------------|-----------|------------|
| A0 | First | luojinwei | 2017-10-19 |



| PIN | SYMBOL |
|-----|---------|
| 1 | NC(GND) |
| 2 | VLSS |
| 3 | VSS |
| 4 | NC |
| 5 | VDD |
| 6 | BS1 |
| 7 | BS2 |
| 8 | CS# |
| 9 | RES# |
| 10 | D/C# |
| 11 | R/W# |
| 12 | E/RD# |
| 13 | D0 |
| 14 | D1 |
| 15 | D2 |
| 16 | D3 |
| 17 | D4 |
| 18 | D5 |
| 19 | D6 |
| 20 | D7 |
| 21 | IREF |
| 22 | VCOMH |
| 23 | VCC |
| 24 | NC(GND) |

Specifications:

1. Display : OLED(White).
2. Dot Matrix: 128*64
3. Dot Size: 0.254*0.254mm
4. Dot Pitch: 0.274*0.274mm
5. Aperture Rate: 86%
6. Active Area : 35.052*17.516mm
7. Drive IC: SPD0301ZD
8. FPC P/N: FPC-HP12864-12-A0

| | | | | | | | |
|------------------------|-----------|------------|-------|----------------------------|------------|--------|--------|
| Unspecified Tolerance: | ±0.20 | UNITS: mm | DATE: | MODEL NUMBER : | | SHEET: | 1 OF 1 |
| DESIGN BY: | luojinwei | 2017-10-19 | | | | SCALE: | 1 : 1 |
| CHECKED BY: | | | | DO NOT SCALE THIS DRAWING. | PROJECTION | | |
| APPROVED BY: | | | | | | | |

7. INTERFACE SPECIFICATIONS

7-1. PIN ASSIGNMENT

| PIN NO. | SYMBOL | TYPE | FUNCTION DESCRIPTIONS | | | | | | | | | | | | | | | |
|---------|---------|------|--|------------------|------------------|------|------|------|-----|---|---|---|---|-----|---|---|---|---|
| 1 | NC(GND) | P | It should be connected to external ground. | | | | | | | | | | | | | | | |
| 2 | VLSS | P | This is an analog ground pin. It should be connected to VSS externally. | | | | | | | | | | | | | | | |
| 3 | VSS | P | Ground pin. It must be connected to external ground. | | | | | | | | | | | | | | | |
| 4 | NC | | NC | | | | | | | | | | | | | | | |
| 5 | VDD | P | Power pin for logic circuit. It must be connected to external source. | | | | | | | | | | | | | | | |
| 6 | BS1 | I | Interface selection pins. | | | | | | | | | | | | | | | |
| | | | <table border="1"> <thead> <tr> <th></th> <th>I²C</th> <th>6800</th> <th>8080</th> <th>4SPI</th> </tr> </thead> <tbody> <tr> <td>BS1</td> <td>1</td> <td>0</td> <td>1</td> <td>0</td> </tr> <tr> <td>BS2</td> <td>0</td> <td>1</td> <td>1</td> <td>0</td> </tr> </tbody> </table> | | I ² C | 6800 | 8080 | 4SPI | BS1 | 1 | 0 | 1 | 0 | BS2 | 0 | 1 | 1 | 0 |
| | | | | I ² C | 6800 | 8080 | 4SPI | | | | | | | | | | | |
| BS1 | 1 | 0 | 1 | 0 | | | | | | | | | | | | | | |
| BS2 | 0 | 1 | 1 | 0 | | | | | | | | | | | | | | |
| 7 | BS2 | | | | | | | | | | | | | | | | | |
| 8 | CS# | I | Chip Select input pin. Active "L" | | | | | | | | | | | | | | | |
| 9 | RES# | I | Hardware reset input pin. Active "L". | | | | | | | | | | | | | | | |
| 10 | D/C# | I | This is Data/Command control pin. When the pin is pulled HIGH, the data at D[7:0] is data. When the pin is pulled LOW, the data at D[7:0] is command. In I2C mode, this pin acts as SA0 for slave address section. When 3-wire serial interface is selected, this pin must be connected to VSS | | | | | | | | | | | | | | | |
| 11 | R/W# | I | This is read/write control input pin. 8080: data write enable; 6800: read/write select pin. When serial or I2C interface is selected, this pin must be connected to VSS. | | | | | | | | | | | | | | | |
| 12 | E/RD# | I | This is read/write control input pin. 8080: data read enable; 6800: read/write enable pin. When serial or I2C interface is selected, this pin must be connected to VSS. | | | | | | | | | | | | | | | |
| 13 | D0 | I/O | These are 8-bit bi-directional data bus to be connected to microprocessor's Data bus. When serial interface mode is selected, D2 should be kept NC, D1 will be the serial data input: SDIN, D0 will be the serial clock input: SCLK. When I2C mode is selected, D2, D1 should be tied together and serve as SDA and D0 is the serial clock input, SCL. | | | | | | | | | | | | | | | |
| 14 | D1 | | | | | | | | | | | | | | | | | |
| 15 | D2 | | | | | | | | | | | | | | | | | |
| 16 | D3 | | | | | | | | | | | | | | | | | |
| 17 | D4 | | | | | | | | | | | | | | | | | |
| 18 | D5 | | | | | | | | | | | | | | | | | |
| 19 | D6 | | | | | | | | | | | | | | | | | |
| 20 | D7 | | | | | | | | | | | | | | | | | |
| 21 | IREF | I | Current reference for brightness adjustment. This is segment output current reference pin. A resistor should be connected between this pin and VSS .Set the current at 10 uA maximum. | | | | | | | | | | | | | | | |
| 22 | VCOMH | O | COM signal deselected voltage level. A capacitor should be connected between this pin and VSS. | | | | | | | | | | | | | | | |

| | | | | | |
|--------------------------|--------------------------|-----------------------|----------------|-------------|---------------|
| STANDARD DOC. | PRODUCT SPEC. | MODULE NO. | ENH-OBG24P154A | PAGE | 7 / 31 |
|--------------------------|--------------------------|-----------------------|----------------|-------------|---------------|

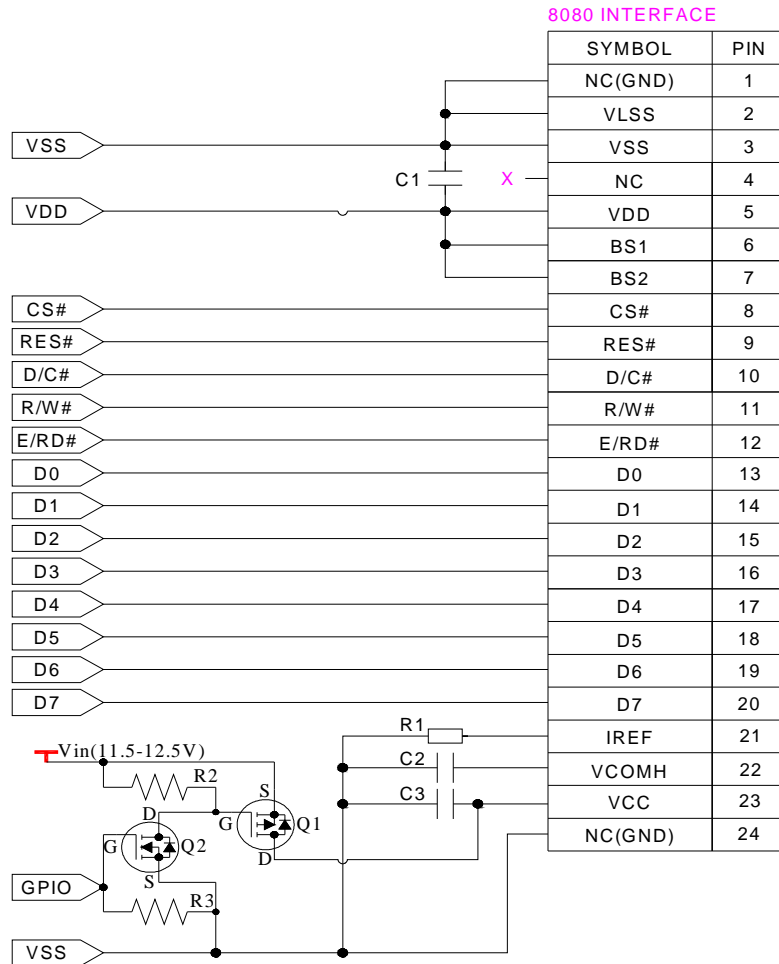
| | | | |
|----|---------|---|--|
| 23 | VCC | P | Power supply for OLED driving voltage. A capacitor should be connected between this pin and VSS. |
| 24 | NC(GND) | P | It should be connected to external ground. |

7-2 APPLICATION CIRCUIT

7-2-1 8080 Interface With Internal Charge Pump

特别提醒(Special Tips): 主板设计务必加电子开关, 否则, 可能引起漏电流现象

(When design main board, Please add Electronic Switch circuit, otherwise, will be caused leak current)

**Recommended Components:**

- C1: 1 μ F / 16V, X5R
 C2, C3: 4.7 μ F/25V(Tantalum type)
 R1: 910k Ω , R1 = (Voltage at IREF - VSS) / IREF
 R2, R3: 47k Ω
 Q1: FDN338P
 Q2: FDN335N

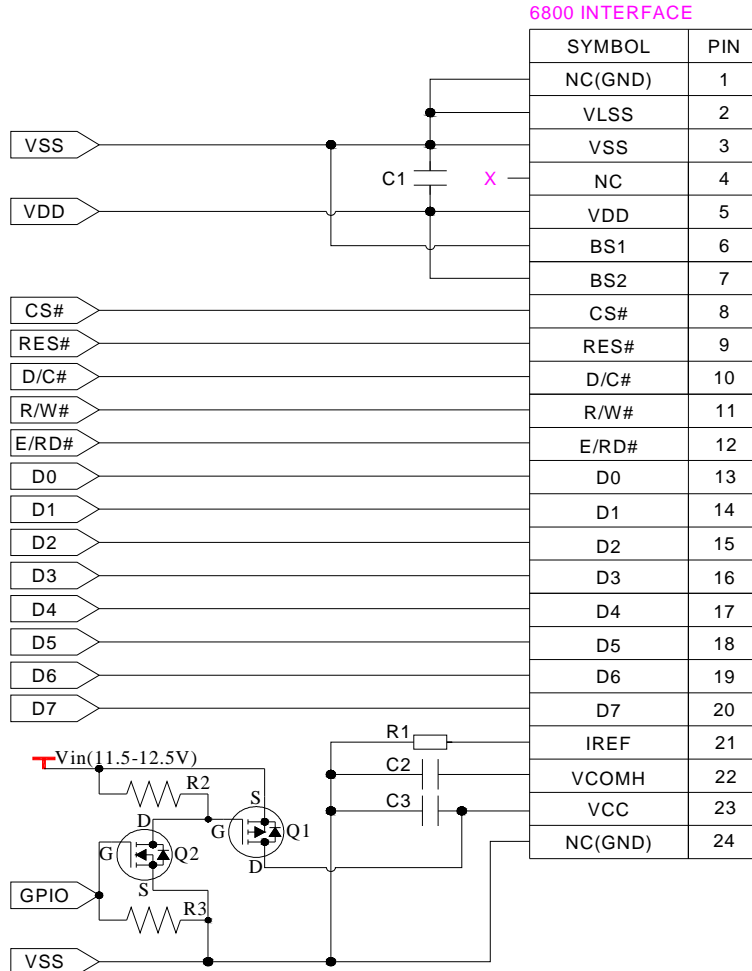
Notes:

- VDD: 1.65~3.3V, it should be equal to MPU I/O voltage.
 Vin: 11.5~12.5V

7-2-2 6800 Interface With Internal Charge Pump

特别提醒(Special Tips): 主板设计务必加电子开关, 否则, 可能引起漏电流现象

(When design main board, Please add Electronic Switch circuit, otherwise, will be caused leak current)

**Recommended Components:**

- C1: 1 μ F / 16V, X5R
 C2, C3: 4.7 μ F / 25V(Tantalum type)
 R1: 910k Ω , R1 = (Voltage at IREF - VSS) / IREF
 R2, R3: 47k Ω
 Q1: FDN338P
 Q2: FDN335N

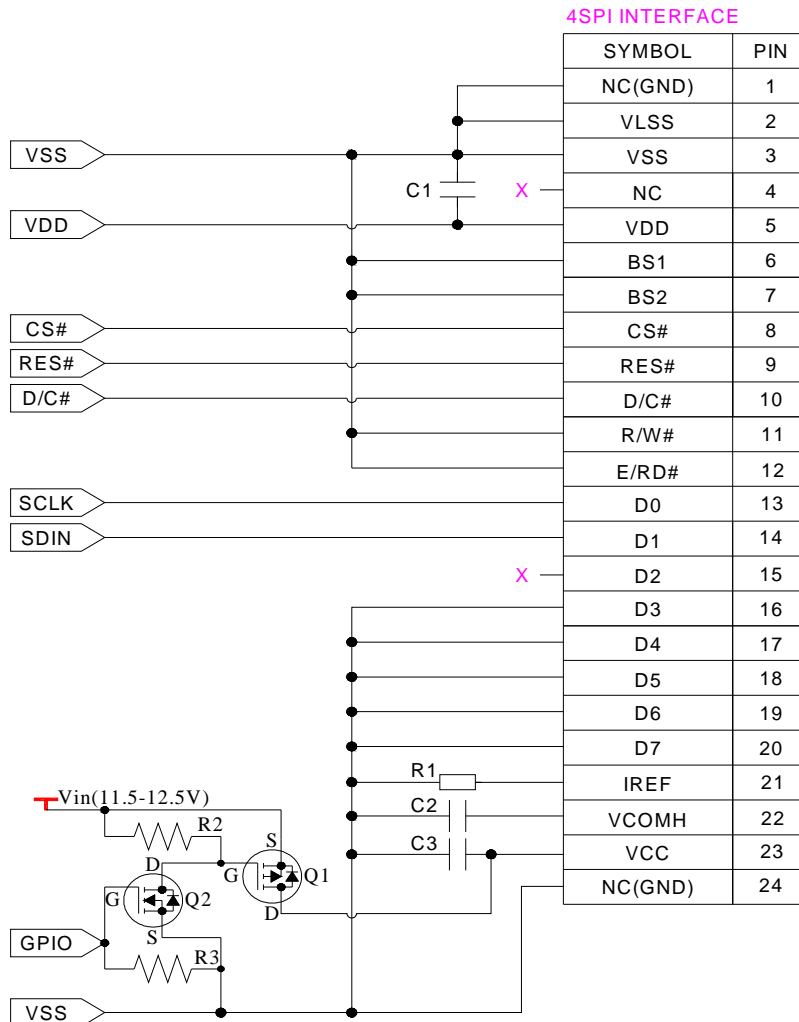
Notes:

- VDD: 1.65~3.3V, it should be equal to MPU I/O voltage.
 Vin: 11.5~12.5V

7-2-3 4-Wire Serial Interface With Internal Charge Pump

特别提醒(Special Tips): 主板设计务必加电子开关, 否则, 可能引起漏电流现象

(When design main board, Please add Electronic Switch circuit, otherwise, will be caused leak current)

**Recommended Components:**

- C1: 1 μ F / 16V, X5R
 C2, C3: 4.7 μ F / 25V(Tantalum type)
 R1: 910k Ω , R1 = (Voltage at IREF - VSS) / IREF
 R2, R3: 47k Ω
 Q1: FDN338P
 Q2: FDN335N

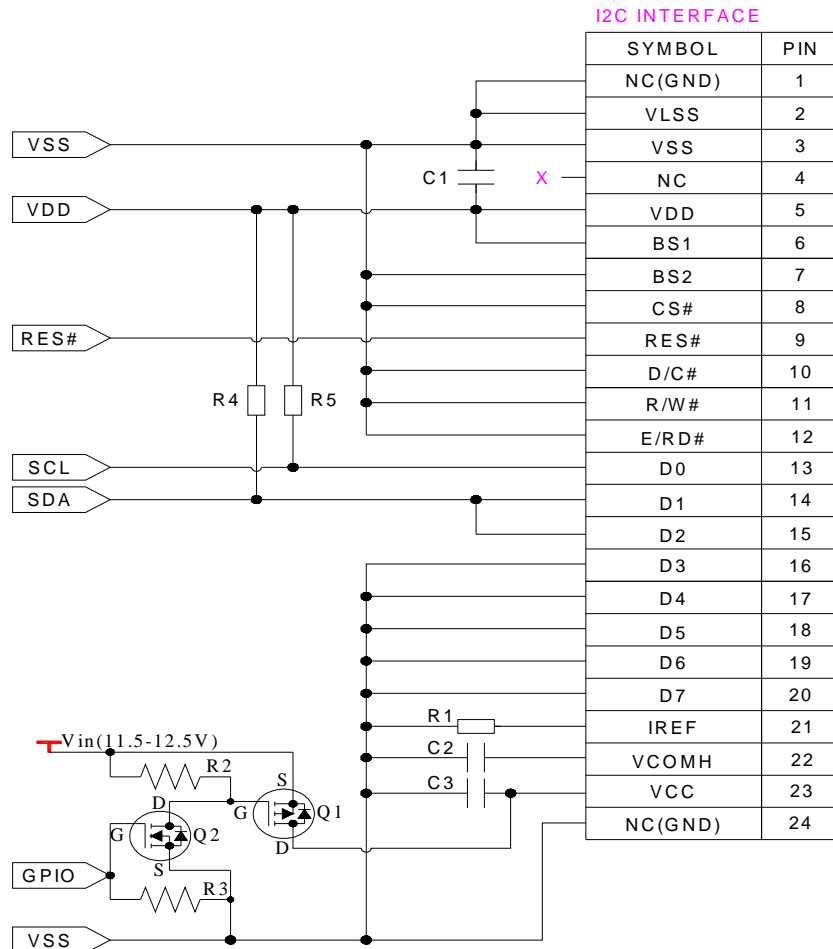
Notes:

- VDD: 1.65~3.3V, it should be equal to MPU I/O voltage.
 Vin: 11.5~12.5V

7-2-4 I²C Interface With Internal Charge Pump

特别提醒(Special Tips): 主板设计务必加电子开关, 否则, 可能引起漏电流现象

(When design main board, Please add Electronic Switch circuit, otherwise, will be caused leak current)



Recommended Components:

- C1: 1 μ F / 16V, X5R
 C2, C3: 4.7 μ F / 25V(Tantalum type)
 R1: 910k Ω , R1 = (Voltage at IREF - VSS) / IREF
 R2, R3: 47k Ω
 R4, R5: 4.7k Ω
 Q1: FDN338P
 Q2: FDN335N

Notes:

- VDD: 1.65~3.3V, it should be equal to MPU I/O voltage.
 Vin: 11.5~12.5V
 The I²C slave address is 0111100b

| | | | | | |
|------------------|------------------|---------------|----------------|------|---------|
| STANDARD DOC. | PRODUCT SPEC. | MODULE NO. | ENH-OBG24P154A | PAGE | 12 / 31 |
|------------------|------------------|---------------|----------------|------|---------|

8. ABSOLUTE MAXIMUM RATING

| Characteristic | Symbol | Standard Value | | | Unit | Notes |
|------------------------------------|------------------|----------------|-----|------|------|-------|
| | | MIN | TYP | MAX | | |
| Power Supply Voltage(1) | V _{DD} | -0.3 | - | +4.0 | V | 1,2 |
| Power Supply Voltage(2) | V _{CC} | 8.0 | - | 17.0 | V | 1,2 |
| Operating Temperature | T _{OPR} | -40 | - | +70 | °C | |
| Storage Temperature | T _{STG} | -40 | - | +85 | °C | 3 |
| Life Time (120 cd/m ²) | | 10000 | - | - | hour | 4 |
| Life Time (80 cd/m ²) | | 30000 | - | - | hour | 4 |
| Life Time (60 cd/m ²) | | 50000 | - | - | hour | 4 |

Note 1: All the above voltages are on the basis of "V_{SS} = 0V".

Note 2: When this module is used beyond the above absolute maximum ratings, permanent breakage of the module may occur. Also, for normal operations, it is desirable to use this module under the conditions according to Section 9-1 "DC ELECTRICAL CHARACTERISTICS". If this module is used beyond these conditions, malfunctioning of the module can occur and the reliability of the module may deteriorate.

Note 3: The defined temperature ranges do not include the polarizer. The maximum withstood temperature of the polarizer should be 80°C.

Note 4: V_{CC} = 12.0V, T_a = 25°C, 50% Checkerboard.

End of lifetime is specified as 50% of initial brightness reached. The average operating lifetime at room temperature is estimated by the accelerated operation at high temperature conditions.

9.ELECTRICAL CHARACTERISTICS

9-1 DC ELECTRICAL CHARACTERISTICS

| Symbol | Parameter | Test condition | Standard Value | | | Unit |
|------------------------|--|--|---------------------|------|---------------------|------|
| | | | MIN | TYP | MAX | |
| V _{DD} | Logic Supply Voltage | - | 1.65 | 2.8 | 3.3 | V |
| V _{CC} | Operating Voltage for OLED (Supplied Externally) | Internal Charge Pump Disable | 11.5 | 12.0 | 12.5 | V |
| V _{IH} | High Logic Input Level | | 0.8*V _{DD} | - | - | V |
| V _{IL} | Low Logic Input Level | | - | - | 0.2*V _{DD} | V |
| V _{OH} | High Logic Output Level | I _{OUT} = 100μA, 3.3MHz | 0.9*V _{DD} | - | - | V |
| V _{OL} | Low Logic Output Level | I _{OUT} = 100μA, 3.3MHz | - | - | 0.1*V _{DD} | V |
| I _{DD, SLEEP} | I _{DD} , Sleep Mode Current | | - | - | 10 | uA |
| I _{CC, SLEEP} | I _{CC} , Sleep Mode Current | | - | - | 10 | uA |
| I _{DD} | V _{DD} Supply Current | | - | 90 | 110 | uA |
| I _{CC} | V _{CC} Supply Current (V _{CC} Supplied Externally) | V _{DD} = 2.8V, V _{CC} = 12V, 100% Display Area Turn on | - | 30 | 32 | mA |

9-2 ELECTRO-OPTICAL CHARACTERISTICS

| Symbol | Parameter | condition | Standard Value | | | Unit |
|-----------------|--|-------------|----------------|--------|------|-------------------|
| | | | MIN | TYP | MAX | |
| L _{br} | Brightness (V _{CC} Supplied Externally) | | 90 | 110 | - | cd/m ² |
| (x) | C.I.E. (White) | C.I.E. 1931 | 0.25 | 0.29 | 0.33 | |
| (y) | | | 0.27 | 0.31 | 0.35 | |
| CR | Dark Room Contrast | | - | 2000:1 | - | |
| | Viewing Angle | | - | 160 | - | degree |

* Optical measurement taken at V_{DD} = 2.8V, V_{CC} = 12V.

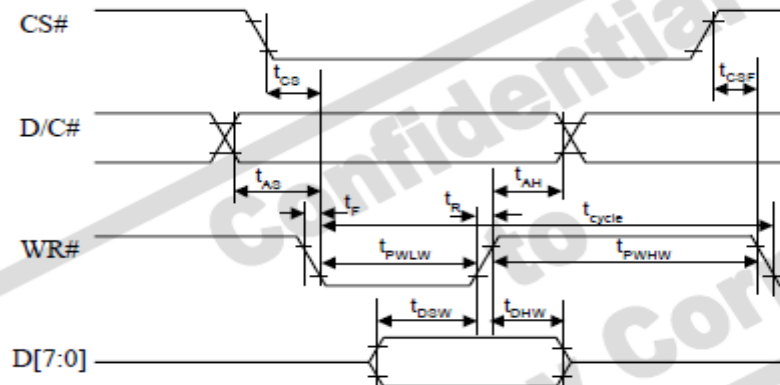
9-3 AC ELECTRICAL CHARACTERISTICS

9-3-1 8080 Interface Timing Characteristics

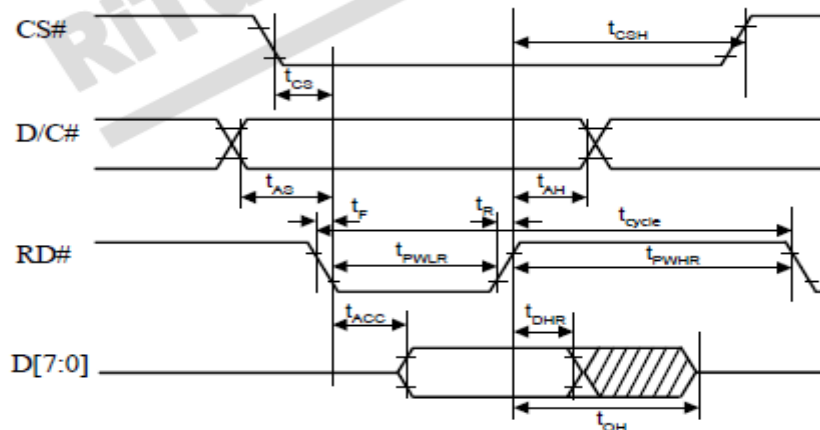
(V_{DD} - V_{SS} = 1.65V ~3.3V, T_A = 25°C)

| Symbol | Parameter | Min | Typ | Max | Unit |
|--------------------|--------------------------------------|-----|-----|-----|------|
| t _{cycle} | Clock Cycle Time | 300 | - | - | ns |
| t _{AS} | Address Setup Time | 10 | - | - | ns |
| t _{AH} | Address Hold Time | 0 | - | - | ns |
| t _{DSW} | Write Data Setup Time | 40 | - | - | ns |
| t _{DHW} | Write Data Hold Time | 7 | - | - | ns |
| t _{DHR} | Read Data Hold Time | 20 | - | - | ns |
| t _{OH} | Output Disable Time | - | - | 70 | ns |
| t _{ACC} | Access Time | - | - | 140 | ns |
| t _{PWLR} | Read Low Time | 120 | - | - | ns |
| t _{PWLW} | Write Low Time | 60 | - | - | ns |
| t _{PWHR} | Read High Time | 60 | - | - | ns |
| t _{PWHW} | Write High Time | 60 | - | - | ns |
| t _R | Rise Time | - | - | 40 | ns |
| t _F | Fall Time | - | - | 40 | ns |
| t _{CS} | Chip select setup time | 0 | - | - | ns |
| t _{CSH} | Chip select hold time to read signal | 0 | - | - | ns |
| t _{CSF} | Chip select hold time | 20 | - | - | ns |

Write cycle



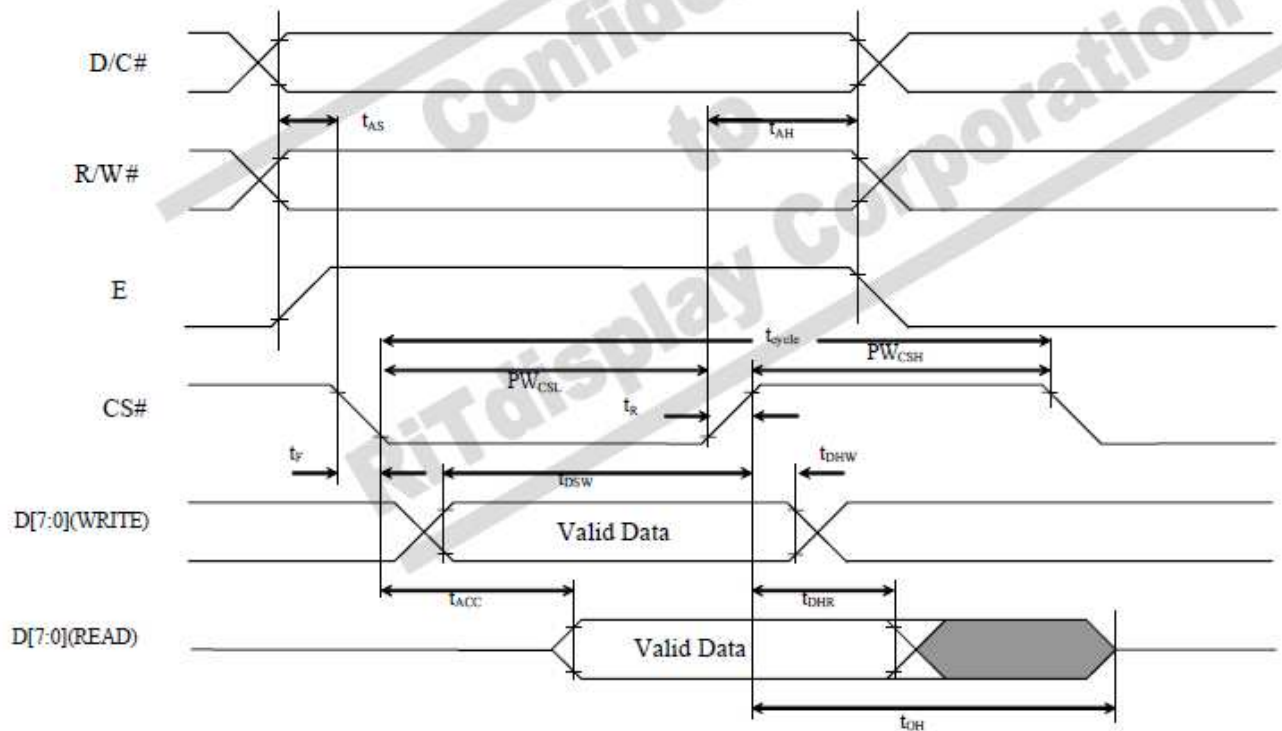
Read Cycle



9-3-2 6800 Interface Timing Characteristics

(V_{DD} - V_{SS} = 1.65V to 3.3V, T_A = 25°C)

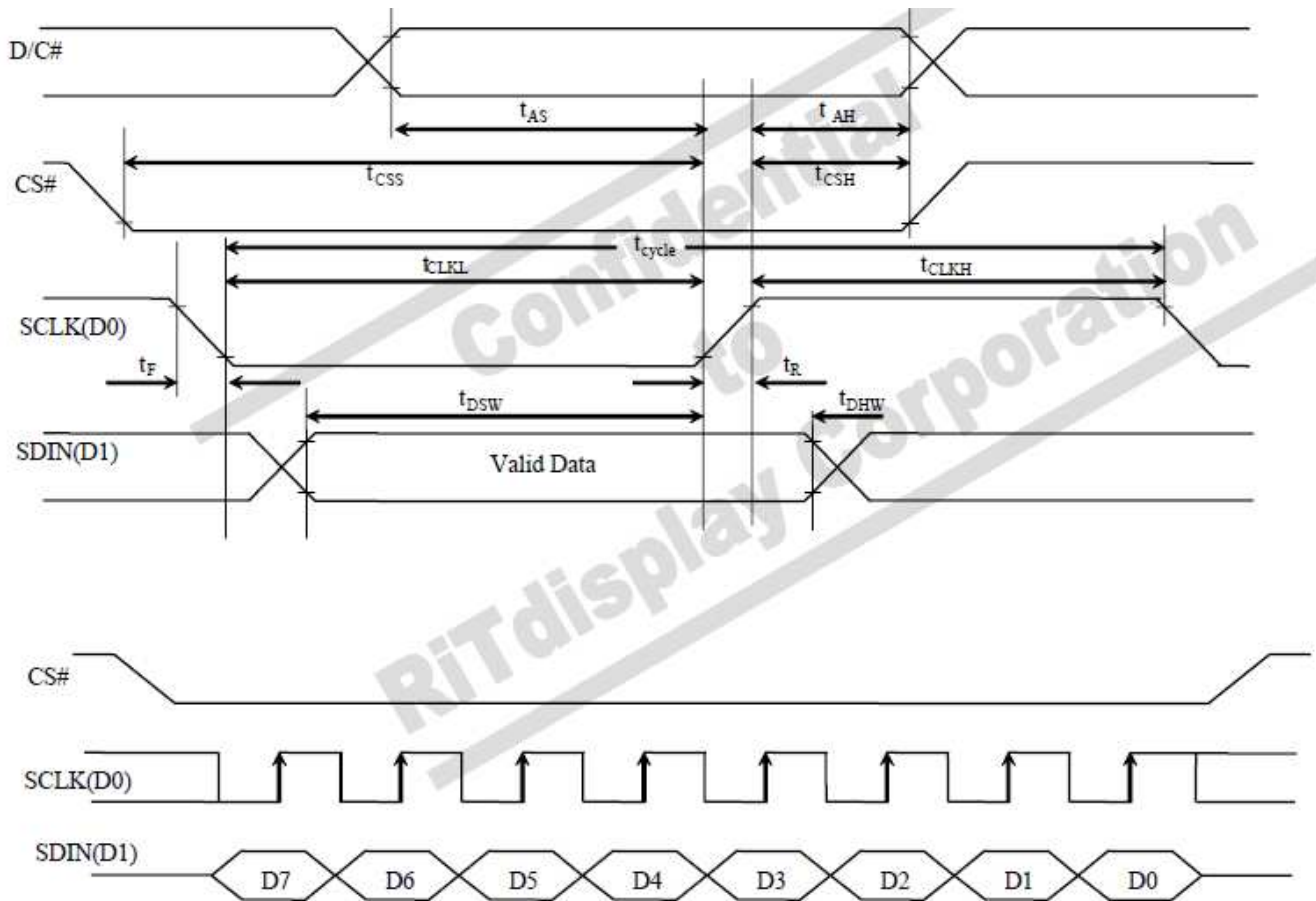
| Symbol | Parameter | Min | Typ | Max | Unit |
|--------------------|---|-----------|-----|-----|------|
| t _{cycle} | Clock Cycle Time | 300 | - | - | ns |
| t _{AS} | Address Setup Time | 0 | - | - | ns |
| t _{AH} | Address Hold Time | 0 | - | - | ns |
| t _{DSW} | Write Data Setup Time | 40 | - | - | ns |
| t _{DHW} | Write Data Hold Time | 7 | - | - | ns |
| t _{DHR} | Read Data Hold Time | 20 | - | - | ns |
| t _{OH} | Output Disable Time | - | - | 70 | ns |
| t _{ACC} | Access Time | - | - | 140 | ns |
| PW _{CSL} | Chip Select Low Pulse Width (read) Chip Select Low Pulse Width (write) | 120 60 | - | - | ns |
| PW _{CSH} | Chip Select High Pulse Width (read) Chip Select High Pulse Width (write) | 60 60 | - | - | ns |
| t _R | Rise Time | - | - | 40 | ns |
| t _F | Fall Time | - | - | 40 | ns |



9-3-3 4-Wire Serial Interface Timing Characteristics

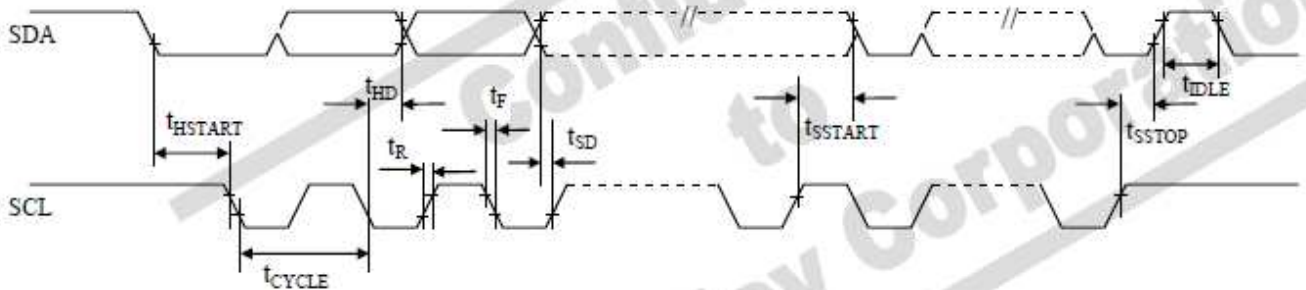
(V_{DD} - V_{SS} = 1.65V~3.3V, T_A = 25°C)

| Symbol | Parameter | Min | Typ | Max | Unit |
|--------------------|------------------------|-----|-----|-----|------|
| t _{cycle} | Clock Cycle Time | 100 | - | - | ns |
| t _{AS} | Address Setup Time | 15 | - | - | ns |
| t _{AH} | Address Hold Time | 15 | - | - | ns |
| t _{CSS} | Chip Select Setup Time | 20 | - | - | ns |
| t _{CSH} | Chip Select Hold Time | 10 | - | - | ns |
| t _{DSW} | Write Data Setup Time | 15 | - | - | ns |
| t _{DHW} | Write Data Hold Time | 15 | - | - | ns |
| t _{CLKL} | Clock Low Time | 20 | - | - | ns |
| t _{CLKH} | Clock High Time | 20 | - | - | ns |
| t _R | Rise Time | - | - | 40 | ns |
| t _F | Fall Time | - | - | 40 | ns |



9-3-4 I²C Interface Timing Characteristics

| Symbol | Parameter | Min | Typ | Max | Unit |
|---------------------|---|-----|-----|-----|------|
| t_{cycle} | Clock Cycle Time | 2.5 | - | - | us |
| t_{HSTART} | Start condition Hold Time | 0.6 | - | - | us |
| t_{HD} | Data Hold Time (for "SDA _{OUT} " pin) | 0 | - | - | ns |
| | Data Hold Time (for "SDA _{IN} " pin) | 300 | - | - | ns |
| t_{SD} | Data Setup Time | 100 | - | - | ns |
| t_{SSTART} | Start condition Setup Time (Only relevant for a repeated Start condition) | 0.6 | - | - | us |
| t_{SSTOP} | Stop condition Setup Time | 0.6 | - | - | us |
| t_{R} | Rise Time for data and clock pin | - | - | 300 | ns |
| t_{F} | Fall Time for data and clock pin | - | - | 300 | ns |
| t_{IDLE} | Idle Time before a new transmission can start | 1.3 | - | - | us |



10. FUNCTIONAL SPECIFICATIONS**10-1 COMMANDS**

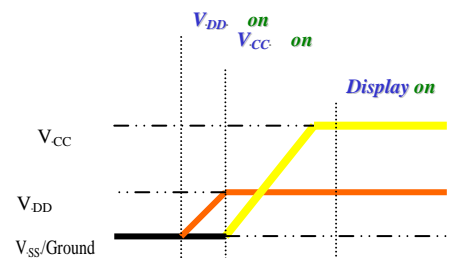
Refer to the SPD0301ZD IC Spec.

10-2 POWER UP AND POWER DOWN SEQUENCE

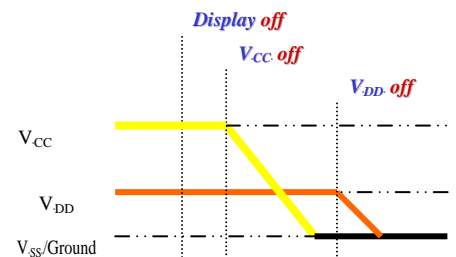
To protect OEL panel and extend the panel life time, the driver IC power up/down routine should include a delay period between high voltage and low voltage power sources during turn on/off. It gives the OEL panel enough time to complete the action of charge and discharge before/after the operation.

10-2-1 Power up Sequence:

1. Power up V_{DD}
2. Send Display off command
3. Initialization
4. Clear Screen
5. Power up V_{CC}
6. Delay 100ms
(When V_{CC} is stable)
7. Send Display on command

**10-2-2 Power down Sequence:**

1. Send Display off command
2. Power down V_{CC}
3. Delay 100ms
(When V_{CC} is reach 0 and panel is completely discharges)
4. Power down V_{DD}

**Note:**

- 1) Since an ESD protection circuit is connected between V_{DD} and V_{CC} inside the driver IC, V_{CC} becomes lower than V_{DD} whenever V_{DD} is ON and V_{CC} is OFF.
- 2) V_{CC} should be kept float (disable) when it is OFF.
- 3) Power Pins (V_{DD} , V_{CC}) can never be pulled to ground under any circumstance.
- 4) V_{DD} should not be power down before V_{CC} power down.

10-3 Reset Circuit

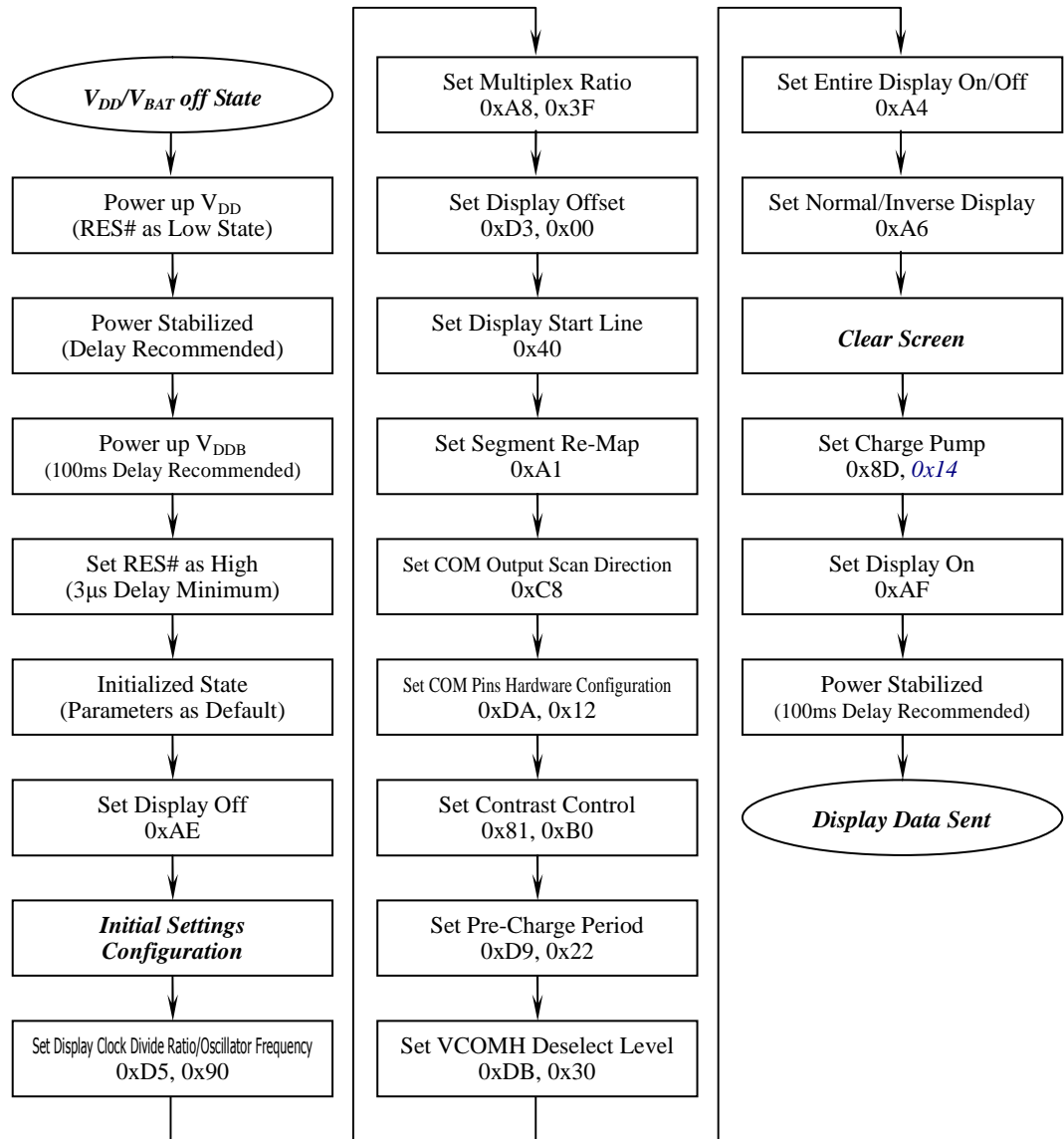
When RES# input is low, the chip is initialized with the following status:

1. Display is OFF
2. 128×64 Display Mode
3. Normal segment and display data column and row address mapping (SEG0 mapped to column address 00h and COM0 mapped to row address 00h)
4. Shift register data clear in serial interface
5. Display start line is set at display RAM address 0
6. Column address counter is set at 0
7. Normal scan direction of the COM outputs
8. Contrast control register is set at 7Fh
9. Normal display mode (Equivalent to A4h command)

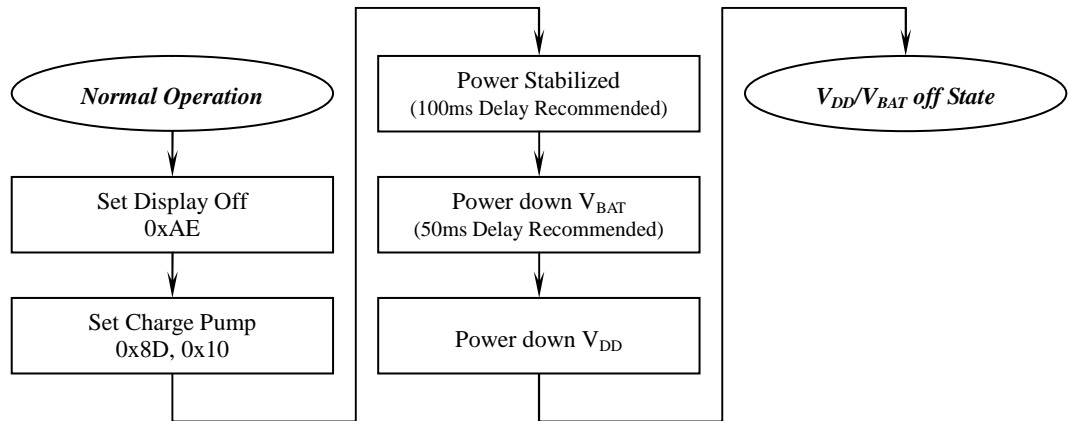
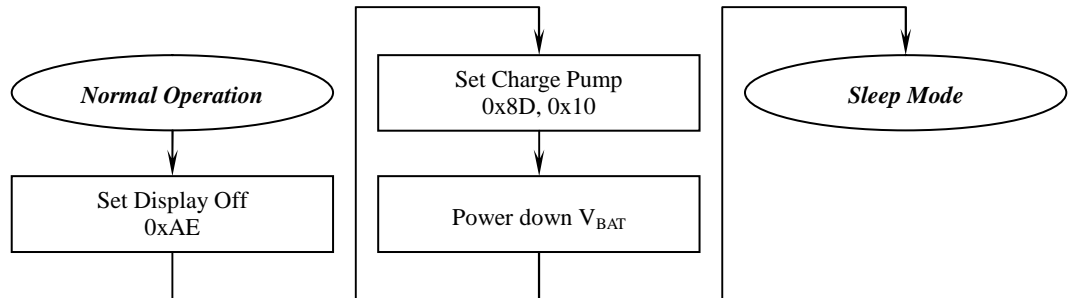
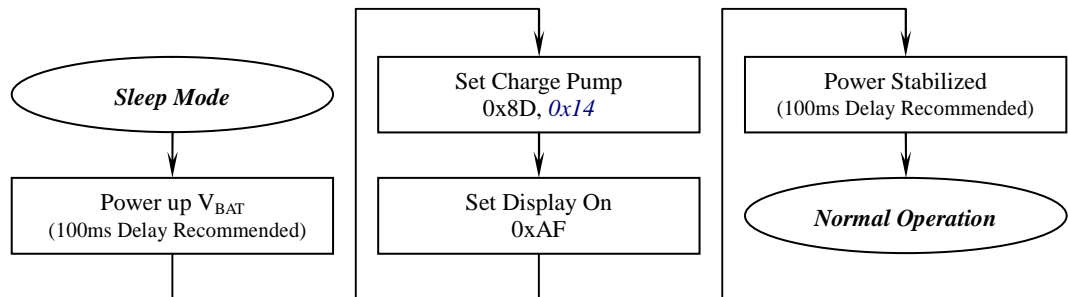
10-4 Actual Application Example

Command usage and explanation of an actual example . VCC generated by externally

<Power up Sequence>



*If the noise is accidentally occurred at the displaying window during the operation, please reset the display in order to recover the display function.

<Power down Sequence>*<Entering Sleep Mode>**<Exiting Sleep Mode>*

| STANDARD DOC. | PRODUCT SPEC. | MODULE NO. | ENH-OBG24P154A | PAGE | 21 / 31 |
|------------------|------------------|---------------|----------------|------|---------|
|------------------|------------------|---------------|----------------|------|---------|

```

void Init_Lcd(void)
{
    RST=1;
    Delay_1ms(100);
    RST=0;
    Delay_1ms(100);
    RST=1;
    Delay_1ms(100);

    Write_Command(0xAE);//set display display ON/OFF,AFH/AEH

    Write_Command(0x40);//set display start line:COM0

    Write_Command(0x81);//set contrast control
    Write_Command(0x32);

    Write_Command(0x20);//set memory addressing mode
    Write_Command(0x02);//page addressing mode

    Write_Command(0xA0);//set segment re-map

    Write_Command(0xA4);//entire display on: A4H:OFF/A5H:ON

    Write_Command(0xA6);//set normal/inverse display: A6H:normal/A7H:inverse

    Write_Command(0xA8);//set multiplex ratio
    Write_Command(0x3F);//1/64duty

    Write_Command(0xC0);//set com output scan direction

    Write_Command(0xD3);//set display offset
    Write_Command(0x00);//

    Write_Command(0xD5);//set display clock divide ratio/oscillator frequency
    Write_Command(0xA0);//105Hz

    Write_Command(0xD9);//set pre-charge period
    Write_Command(0xF1);//

    Write_Command(0xDA);//set com pins hardware configuration
    Write_Command(0x12);//

    Write_Command(0xDB);//set vcomh deselect level
    Write_Command(0x3C);//0.84*VCC

```

| | | | | | |
|--------------------------|--------------------------|-----------------------|----------------|-------------|----------------|
| STANDARD DOC. | PRODUCT SPEC. | MODULE NO. | ENH-OBG24P154A | PAGE | 22 / 31 |
|--------------------------|--------------------------|-----------------------|----------------|-------------|----------------|

```

Write_Command(0x91);//
Write_Command(0x3F);
Write_Command(0x3F);
Write_Command(0x3F);
Write_Command(0x3F);

Write_Command(0xAF);//set display display ON/OFF,AEH/AFH

```

```

}
void Write_Command (Uchar Command)

```

```

{
    int i;
    CS=0;
    A0=0;
    for(i=0;i<8;i++)
    {
        SCLK=0;
        if((Command&0x80)==0)
            SDA=0;
        else
            SDA=1;
        SCLK=1;
        Command=Command<<1;
    }
    CS=1;
}

```

```

void Write_Data (Uchar Data)

```

```

{
    int i;
    CS=0;
    A0=1;
    for(i=0;i<8;i++)
    {
        SCLK=0;
        if((Data&0x80)==0)
            SDA=0;
        else
            SDA=1;
        SCLK=1;
        Data=Data<<1;
    }
    CS=1;
}

```

11. RELIABILITY

| ITEM | CONDITIONS | CRITERION |
|-----------------------|--|--|
| OPERATING TEMPERATURE | HIGH TEMPERATURE +70°C 240HRS | NO DEFECT IN DISPLAYING AND OPERATIONAL FUNCTION |
| | LOW TEMPERATURE -40°C 240HRS | |
| STORAGE TEMPERATURE | HIGH TEMPERATURE +85°C 240HRS | NO DEFECT IN DISPLAYING AND OPERATIONAL FUNCTION |
| | LOW TEMPERATURE - 40°C 240HRS | |
| HUMIDITY | 60°C 90%RH 120HRS | NO DEFECT IN DISPLAYING AND OPERATIONAL FUNCTION |
| VIBRATION | <ul style="list-style-type: none"> • Operating Time: thirty minutes exposure for each direction (X,Y,Z) • Sweep Frequency: 10~55Hz (1 min) • Amplitude: 1.5mm | NO DEFECT IN DISPLAYING AND OPERATIONAL FUNCTION |
| THERMAL SHOCK | -40°C (60mins) ←→+85°C (60mins), 24 cycles | NO DEFECT IN DISPLAYING AND OPERATIONAL FUNCTION |

*NOTE: TEST CONDITION

(1)TEMPERATURE AND HUMIDITY: IF NO SPECIFICATION, TEMP. SET AT 25±2°C, HUMIDITY SET AT 60±5%RH

(2) OPERATING STATE: SAMPLES SUBJECT TO THE TESTS SHALL BE IN " OPERATING" CONDITION

12. Outgoing Quality Control Specifications

12.1 Environment Required

Customer's test & measurement are required to be conducted under the following conditions:

| | |
|---|-------------|
| Temperature: | 23 ± 5°C |
| Humidity: | 55 ± 15% RH |
| Fluorescent Lamp: | 30W |
| Distance between the Panel & Lamp: | ≥ 50cm |
| Distance between the Panel & Eyes of the Inspector: | ≥ 30cm |
| Finger glove (or finger cover) must be worn by the inspector. | |
| Inspection table or jig must be anti-electrostatic. | |

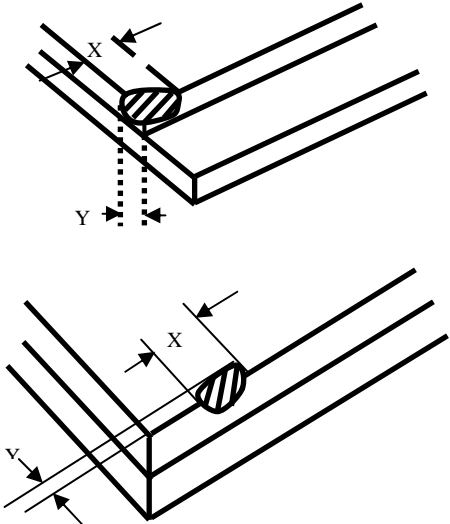
12.2 Sampling Plan

Level II, Normal Inspection, Single Sampling, MIL-STD-105E

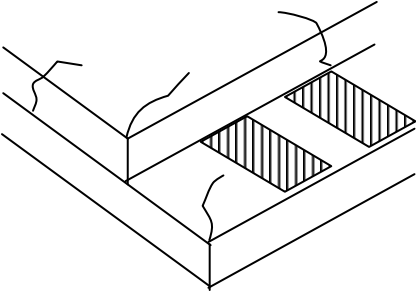

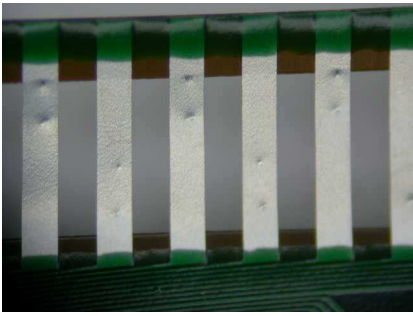
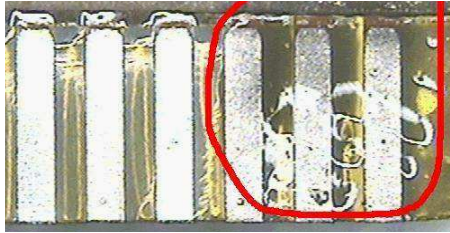
12.3 Criteria & Acceptable Quality Level

| Partition | AQL | Definition |
|-----------|------|---|
| Major | 0.65 | Defects in Pattern Check (Display On) |
| Minor | 1.0 | Defects in Cosmetic Check (Display Off) |

12.3.1 Cosmetic Check (Display Off) in Non-Active Area

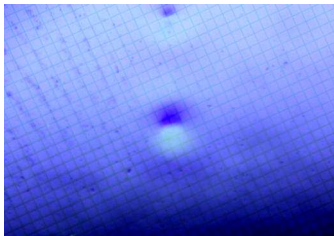
| Check Item | Classification | Criteria |
|------------------------|----------------|--|
| Panel General Chipping | Minor | <p>X > 6 mm (Along with Edge) Y > 1 mm (Perpendicular to edge)</p>  |

12.3.1 Cosmetic Check (Display Off) in Non-Active Area (Continued)

| Check Item | Classification | Criteria |
|---|----------------|---|
| Panel Crack | Minor | Any crack is not allowable.  |
| Copper Exposed (Even Pin or Film) | Minor | Not Allowable by Naked Eye Inspection |
| Film or Trace Damage | Minor |  |
| Terminal Lead Prober Mark | Acceptable |  |
| Glue or Contamination on Pin (Couldn't Be Removed by Alcohol) | Minor |  |
| Ink Marking on Back Side of panel (Exclude on Film) | Acceptable | Ignore for Any |

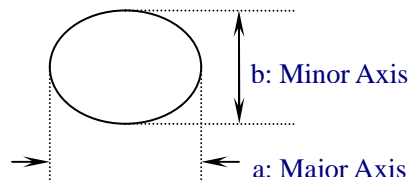
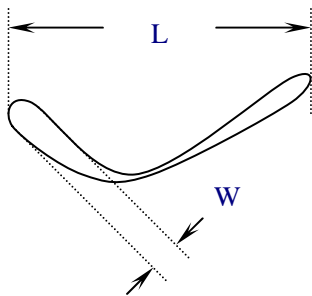
12.3.2 Cosmetic Check (Display Off) in Active Area

It is recommended to execute in clear room environment (class 10k) if actual in necessary.


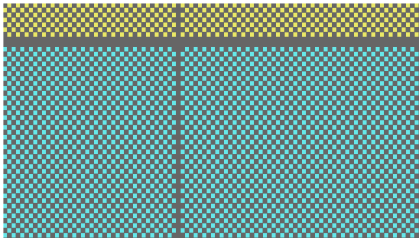
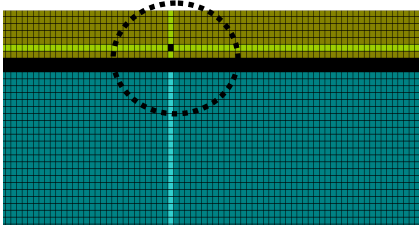
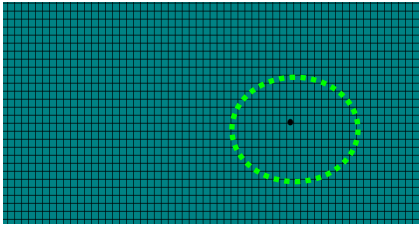
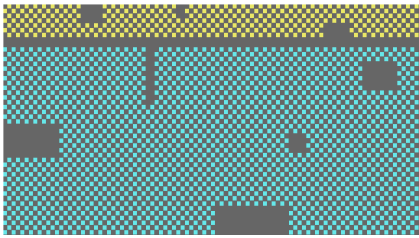
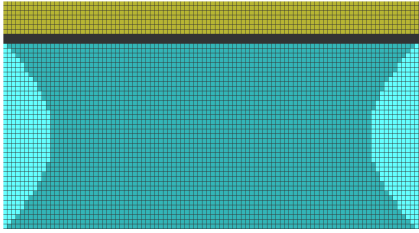
| Check Item | Classification | Criteria |
|---|----------------|---|
| Any Dirt & Scratch on Polarizer's Protective Film | Acceptable | Ignore for not Affect the Polarizer |
| Scratches, Fiber, Line-Shape Defect (On Polarizer) | Minor | $W \leq 0.1$ Ignore $W > 0.1$ $L \leq 2$ $n \leq 1$ $L > 2$ $n = 0$ |
| Dirt, Black Spot, Foreign Material, (On Polarizer) | Minor | $\Phi \leq 0.1$ Ignore $0.1 < \Phi \leq 0.25$ $n \leq 1$ $0.25 < \Phi$ $n = 0$ |
| Dent, Bubbles, White spot (Any Transparent Spot on Polarizer) | Minor | $\Phi \leq 0.5$ → Ignore if no Influence on Display $0.5 < \Phi$ $n = 0$  |
| Fingerprint, Flow Mark (On Polarizer) | Minor | Not Allowable |

* Protective film should not be tear off when cosmetic check.

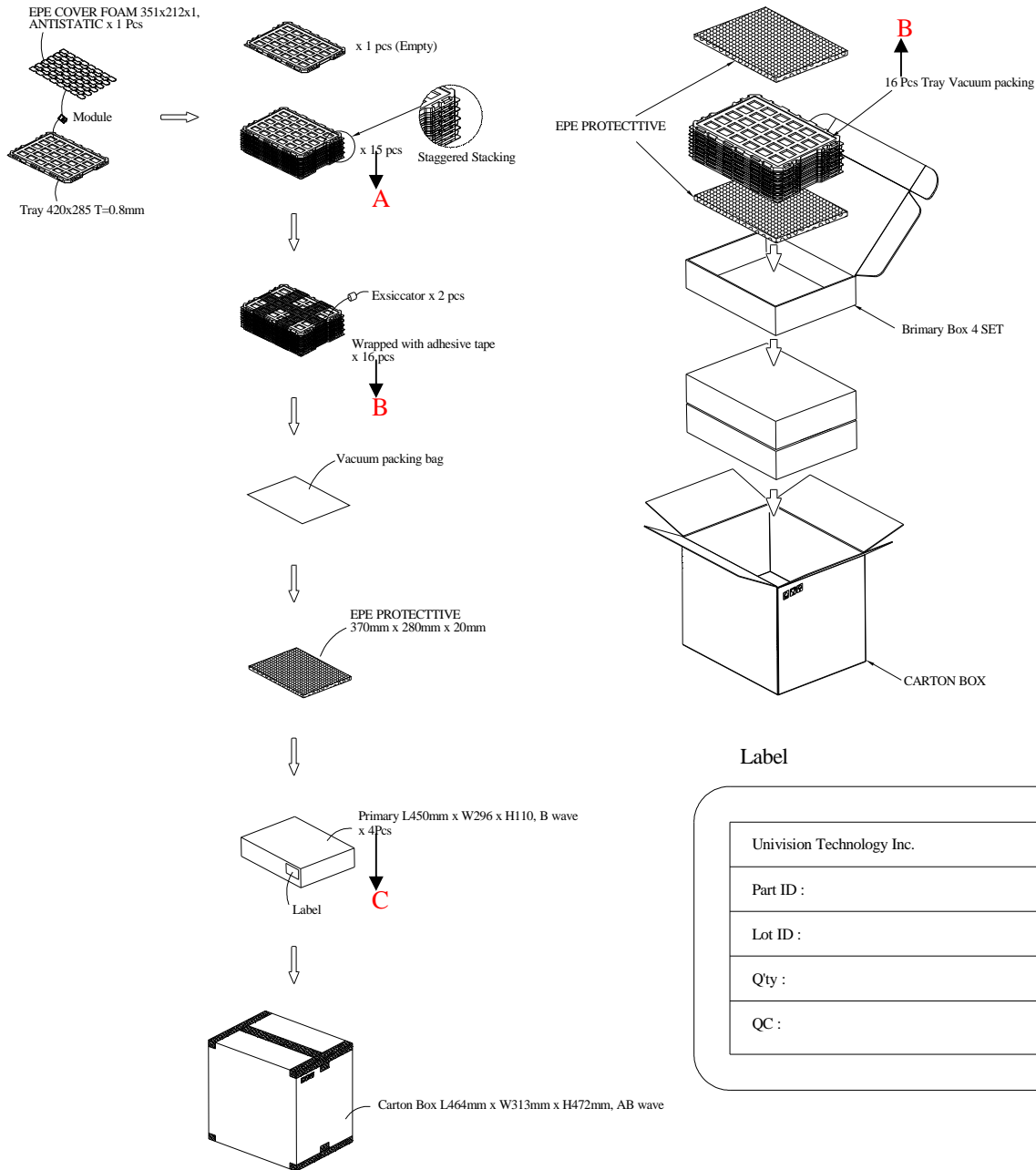
** Definition of W & L & Φ (Unit: mm): $\Phi = (a + b) / 2$



12.3.3 Pattern Check (Display On) in Active Area

| Check Item | Classification | Criteria |
|---------------|----------------|--|
| No Display | Major |  |
| Missing Line | Major |  |
| Pixel Short | Major |  |
| Darker Pixel | Major |  |
| Wrong Display | Major |  |
| Un-uniform | Major |  |

13. Package Specifications



Label

| |
|---------------------------|
| Univision Technology Inc. |
| Part ID : |
| Lot ID : |
| Qty : |
| QC : |

| Item | Quantity |
|-------------------|---|
| Module | 810 per Primary Box |
| Holding Trays (A) | 15 per Primary Box |
| Total Trays (B) | 16 per Primary Box (Including 1 Empty Tray) |
| Primary Box (C) | 1~4 per Carton (4 as Major / Maximum) |

14. Precautions When Using These OEL Display Modules

14.1 Handling Precautions

- 1) Since the display panel is being made of glass, do not apply mechanical impacts such as dropping from a high position.
- 2) If the display panel is broken by some accident and the internal organic substance leaks out, be careful not to inhale nor lick the organic substance.
- 3) If pressure is applied to the display surface or its neighborhood of the OEL display module, the cell structure may be damaged and be careful not to apply pressure to these sections.
- 4) The polarizer covering the surface of the OEL display module is soft and easily scratched. Please be careful when handling the OEL display module.
- 5) When the surface of the polarizer of the OEL display module has soil, clean the surface. It takes advantage of by using following adhesion tape.

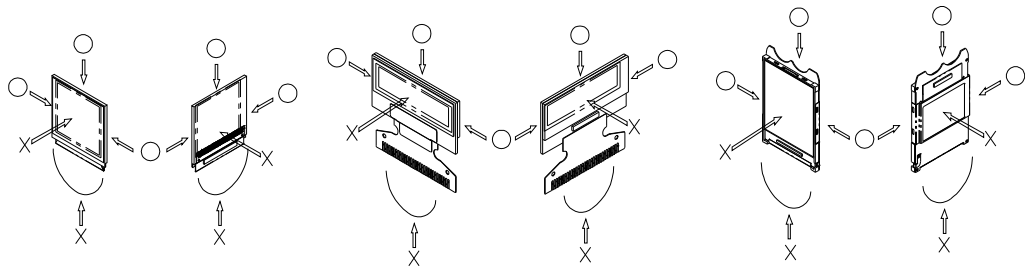
* Scotch Mending Tape No. 810 or an equivalent

Never try to breathe upon the soiled surface nor wipe the surface using cloth containing solvent such as ethyl alcohol, since the surface of the polarizer will become cloudy.

Also, pay attention that the following liquid and solvent may spoil the polarizer:

- * Water
- * Ketone
- * Aromatic Solvents

- 6) Hold OEL display module very carefully when placing OEL display module into the system housing. Do not apply excessive stress or pressure to OEL display module. And, do not over bend the film with electrode pattern layouts. These stresses will influence the display performance. Also, secure sufficient rigidity for the outer cases.



- 7) Do not apply stress to the driver IC and the surrounding molded sections.
- 8) Do not disassemble nor modify the OEL display module.
- 9) Do not apply input signals while the logic power is off.
- 10) Pay sufficient attention to the working environments when handling OEL display modules to prevent occurrence of element breakage accidents by static electricity.
 - * Be sure to make human body grounding when handling OEL display modules.
 - * Be sure to ground tools to use or assembly such as soldering irons.
 - * To suppress generation of static electricity, avoid carrying out assembly work under dry environments.
 - * Protective film is being applied to the surface of the display panel of the OEL display module. Be careful since static electricity may be generated when exfoliating the protective film.
- 11) Protection film is being applied to the surface of the display panel and removes the protection film before assembling it. At this time, if the OEL display module has been stored for a long period of time, residue

| STANDARD DOC. | PRODUCT SPEC. | MODULE NO. | ENH-OBG24P154A | PAGE | 30 / 31 |
|------------------|------------------|---------------|----------------|------|---------|
|------------------|------------------|---------------|----------------|------|---------|

adhesive material of the protection film may remain on the surface of the display panel after removed of the film. In such case, remove the residue material by the method introduced in the above Section 5).

- 12) If electric current is applied when the OEL display module is being dewed or when it is placed under high humidity environments, the electrodes may be corroded and be careful to avoid the above.

14.2 Storage Precautions

- 1) When storing OEL display modules, put them in static electricity preventive bags avoiding exposure to direct sun light nor to lights of fluorescent lamps. and, also, avoiding high temperature and high humidity environment or low temperature (less than 0°C) environments. (We recommend you to store these modules in the packaged state when they were shipped from Allvision technology Inc.)

At that time, be careful not to let water drops adhere to the packages or bags nor let dewing occur with them.

- 2) If electric current is applied when water drops are adhering to the surface of the OEL display module, when the OEL display module is being dewed or when it is placed under high humidity environments, the electrodes may be corroded and be careful about the above.

14.3 Designing Precautions

- 1) The absolute maximum ratings are the ratings which cannot be exceeded for OEL display module, and if these values are exceeded, panel damage may be happen.
- 2) To prevent occurrence of malfunctioning by noise, pay attention to satisfy the V_{IL} and V_{IH} specifications and, at the same time, to make the signal line cable as short as possible.
- 3) We recommend you to install excess current preventive unit (fuses, etc.) to the power circuit (V_{DD}). (Recommend value: 0.5A)
- 4) Pay sufficient attention to avoid occurrence of mutual noise interference with the neighboring devices.
- 5) As for EMI, take necessary measures on the equipment side basically.
- 6) When fastening the OEL display module, fasten the external plastic housing section.
- 7) If power supply to the OEL display module is forcibly shut down by such errors as taking out the main battery while the OEL display panel is in operation, we cannot guarantee the quality of this OEL display module.
- 8) The electric potential to be connected to the rear face of the IC chip should be as follows: SSD1315

* Connection (contact) to any other potential than the above may lead to rupture of the IC.

14.4 Precautions when disposing of the OEL display modules

- 1) Request the qualified companies to handle industrial wastes when disposing of the OEL display modules. Or, when burning them, be sure to observe the environmental and hygienic laws and regulations.

14.5 Other Precautions

- 1) When an OEL display module is operated for a long of time with fixed pattern may remain as an after image or slight contrast deviation may occur.

Nonetheless, if the operation is interrupted and left unused for a while, normal state can be restored. Also, there will be no problem in the reliability of the module.

- 2) To protect OEL display modules from performance drops by static electricity rapture, etc., do not touch the following sections whenever possible while handling the OEL display modules.

* Pins and electrodes

* Pattern layouts such as the FPC

- 3) With this OEL display module, the OEL driver is being exposed. Generally speaking, semiconductor elements

| STANDARD DOC. | PRODUCT SPEC. | MODULE NO. | ENH-OBG24P154A | PAGE | 31 / 31 |
|------------------|------------------|---------------|----------------|------|---------|
|------------------|------------------|---------------|----------------|------|---------|

change their characteristics when light is radiated according to the principle of the solar battery. Consequently, if this OEL driver is exposed to light, malfunctioning may occur.

* Design the product and installation method so that the OEL driver may be shielded from light in actual usage.

* Design the product and installation method so that the OEL driver may be shielded from light during the inspection processes.

- 4) Although this OEL display module stores the operation state data by the commands and the indication data, when excessive external noise, etc. enters into the module, the internal status may be changed. It therefore is necessary to take appropriate measures to suppress noise generation or to protect from influences of noise on the system design.
- 5) We recommend you to construct its software to make periodical refreshment of the operation statuses (re-setting of the commands and re-transference of the display data) to cope with catastrophic noise.

Warranty:

The warranty period shall last twelve (12) months from the date of delivery. Buyer shall be completed to assemble all the processes within the effective twelve (12) months. Allvision technology Inc. shall be liable for replacing any products which contain defective material or process which do not conform to the product specification, applicable drawings and specifications during the warranty period. All products must be preserved, handled and appearance to permit efficient handling during warranty period. The warranty coverage would be exclusive while the returned goods are out of the terms above.