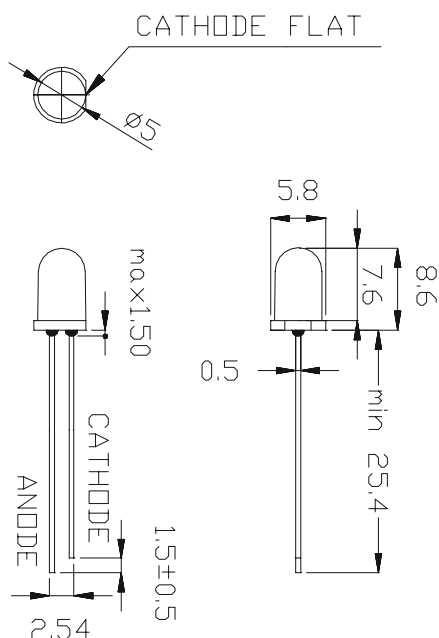


## Device Selection Guide

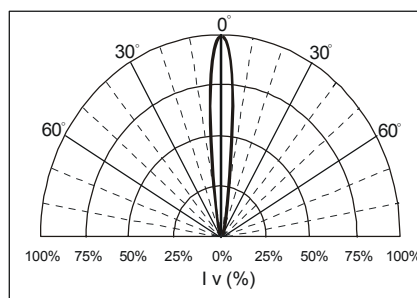
Part Number EOL-	Luminous Intensity Iv(mcd) @ I <sub>F</sub> = 20mA		Viewing Angle 2θ <sub>1/2</sub>	Dominant Wavelength λ <sub>D</sub> (nm) @ I <sub>F</sub> = 20mA	Forward Voltage V <sub>F</sub> (V) @ I <sub>F</sub> = 20 mA		I <sub>R</sub> (μA) @ V <sub>R</sub> = 5V	Stand Off	Epoxy Color
	Min.	Typ.	Typ.	Typ.	Typ.	Max.	Max.		
K1RCCC0-DG	2225	4000	15°	623	2.0	2.4	10	No	Clear

BIN #	U	V	W		
Intensity (mcd) @ I <sub>F</sub> =20mA	2225-3115	3115-4360	4360-6105		

## Package Dimensions



## Beam Pattern



**Note:**

- All dimensions are in millimeter.
- Unspecified tolerance : ±0.20mm.
- Protruded resin under bottom surface of epoxy is 1.5mm max.
- Lead spacing is measured where the leads emerge from the package
- Specifications are subject to be changed without notice.

## Absolute Maximum Ratings at T<sub>A</sub> = 25°C

Parameter	Symbol	Maximum Value	USER---APPROVED
Average Forward Current	I <sub>F</sub>	30mA	
Peak Forward Current <sup>[a]</sup>	I <sub>peak</sub>	100mA	
Reverse Voltage	V <sub>R</sub>	5V	
Power Dissipation	P <sub>D</sub>	72mW	
Operating Temperature Range	T <sub>OPR</sub>	-40°C ~ + 85°C	
Storage Temperature Range	T <sub>STO</sub>	-40°C ~ + 100°C	
Lead Soldering Temperature	T <sub>SOL</sub>	260°C / 5 seconds	

Notes: [a] Duty Ratio = 1/10, Pulse Width = 0.1ms.

### Headquarters

5F, No. 1, Creation Road II, Hsinchu Science Park,  
Hsinchu, Taiwan 300, R.O.C.  
Tel : 886-3-5679000 Fax : 886-3-5679999  
http://www.eoi.com.tw E-mail : Service@eoi.com.tw

### U.S. Office

1400 W. Lambert Road, Suite B,  
Brea, CA92821, U.S.A  
Tel : 1-562-694-1246 Fax : 1-562-691-3087  
http://www.eoi-us.com E-mail : Sales@eoius.com

