

SMD 28 Pin Passive Delay Lines

| Zo Ohms ± 10% | Delay nS ± 5% or ±2 nS† | Tap Delays nS | Rise Time nS Max. | Atten. DB% Max. | J-Lead PCA Part Number | Gull-Wing PCA Part Number | Zo Ohms ± 10% | Delay nS ± 5% or ± 2 nS† | Tap Delays nS | Rise Time nS Max. | Atten. DB% Max. | J-Lead PCA Part Number | Gull-Wing PCA Part Number |
|---------------------|-------------------------------|---------------------|----------------------------|-----------------------|---------------------------------|------------------------------------|---------------------|--------------------------------|---------------------|----------------------------|-----------------------|---------------------------------|------------------------------------|
| 100 | 25 | 2.5±0.5 | 5 | 2% | EP9130 | EP9160 | 200 | 25 | 2.5±0.5 | 5 | 2% | EP9145 | EP9175 |
| 100 | 30 | 3.0±0.5 | 6 | 2% | EP9131 | EP9161 | 200 | 30 | 3.0±0.5 | 6 | 2% | EP9146 | EP9176 |
| 100 | 35 | 3.5±0.5 | 7 | 2% | EP9132 | EP9162 | 200 | 35 | 3.5±0.5 | 7 | 2% | EP9147 | EP9177 |
| 100 | 40 | 4.0±0.5 | 8 | 2% | EP9133 | EP9163 | 200 | 40 | 4.0±0.5 | 8 | 2% | EP9148 | EP9178 |
| 100 | 45 | 4.5±0.5 | 9 | 2% | EP9134 | EP9164 | 200 | 45 | 4.5±0.5 | 9 | 2% | EP9149 | EP9179 |
| 100 | 50 | 5.0±1.0 | 10 | 2% | EP9135 | EP9165 | 200 | 50 | 5.0±1.0 | 10 | 2% | EP9150 | EP9180 |
| 100 | 60 | 6.0±1.0 | 12 | 2% | EP9136 | EP9166 | 200 | 60 | 6.0±1.0 | 12 | 2% | EP9151 | EP9181 |
| 100 | 75 | 7.5±1.0 | 15 | 4% | EP9137 | EP9167 | 200 | 75 | 7.5±1.0 | 15 | 4% | EP9152 | EP9182 |
| 100 | 100 | 10.0±2.0 | 20 | 4% | EP9138 | EP9168 | 200 | 100 | 10.0±2.0 | 20 | 4% | EP9153 | EP9183 |
| 100 | 125 | 12.5±2.0 | 25 | 7% | EP9139 | EP9169 | 200 | 125 | 12.5±2.0 | 25 | 7% | EP9154 | EP9184 |
| 100 | 150 | 15.0±2.0 | 30 | 8% | EP9140 | EP9170 | 200 | 150 | 15.0±2.0 | 30 | 8% | EP9155 | EP9185 |
| 100 | 175 | 17.5±2.0 | 35 | 10% | EP9141 | EP9171 | 200 | 175 | 17.5±2.0 | 35 | 10% | EP9156 | EP9186 |
| 100 | 200 | 20.0±2.0 | 40 | 10% | EP9142 | EP9172 | 200 | 200 | 20.0±2.0 | 40 | 12% | EP9157 | EP9187 |
| 100 | 225 | 22.5±2.0 | 45 | 10% | EP9143 | EP9173 | 200 | 225 | 22.5±2.0 | 45 | 12% | EP9158 | EP9188 |
| 100 | 250 | 25.0±2.0 | 50 | 12% | EP9144 | EP9174 | 200 | 250 | 25.0±2.0 | 50 | 12% | EP9159 | EP9189 |

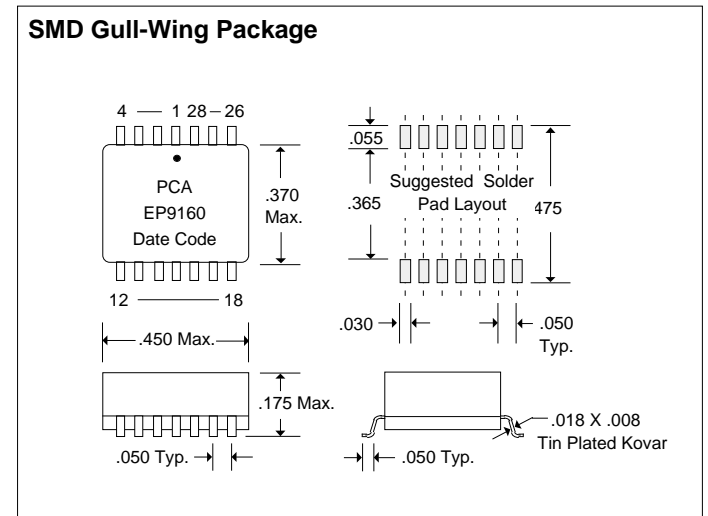
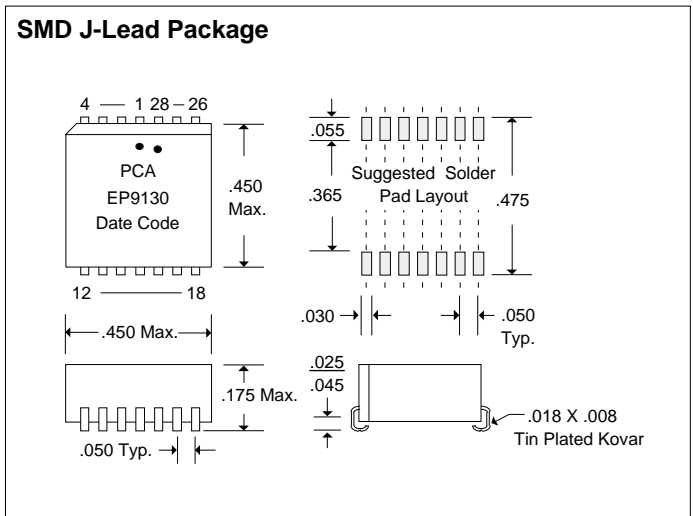
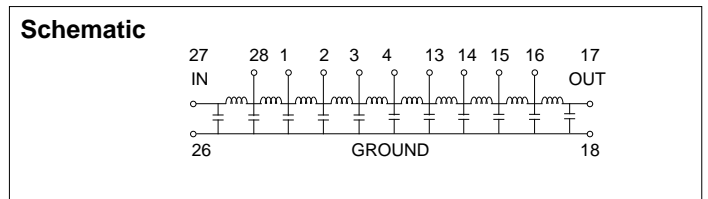
† Whichever is greater.

| DC Electrical Characteristics | Min | Max | Unit |
|----------------------------------|-----|-----|----------|
| Distortion | | ±10 | % |
| Temperature Coefficient of Delay | | 100 | PPM/°C |
| Insulation Resistance @ 100 Vdc | 1K | | Meg Ohms |
| Dielectric Strength | | 100 | Vdc |

| Recommended Operating Conditions | Min | Max | Unit |
|----------------------------------|-----|-----|------|
| PW* | 200 | | % |
| D* | 0 | 40 | % |
| TA | 0 | 70 | °C |

*These two values are inter-dependent.

| Input Pulse Test Conditions @ 25°C | | |
|------------------------------------|---|---------|
| V _{IN} | Pulse Input Voltage | 3 Volts |
| PW | Pulse Width % of Total Delay | 300 % |
| TR | Input Rise Time (10 - 90%) | 2.0 nS |
| PRR | Pulse Repetition Rate @ T _d ≤ 150 nS | 1.0 MHz |
| | Pulse Repetition Rate @ T _d > 150 nS | 300 KHz |



DSD91XXb Rev. A 2/5/96

QAF-CSO1a Rev. B 8/25/94

Unless Otherwise Noted Dimensions in Inches
Tolerances:
Fractional = ± 1/32
.XX = ± .030 .XXX = ± .010



16799 SCHOENBORN ST.
NORTH HILLS, CA 91343
TEL: (818) 892-0761
FAX: (818) 894-5791