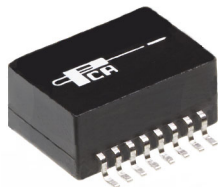




# Common Mode Choke

## EPA3569S

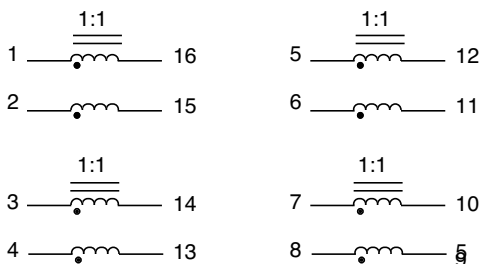


- Optimized for T1/E1 Applications
- Common Mode Choke for EMI Reduction

### Electrical Parameters @ 25° C

OCL ( $\mu$ H Min.)	Interwinding Capacitance (pF Max.)	Leakage Inductance ( $\mu$ H Max.)	DCR ( $\Omega$ Max.)
36	15	0.3	0.4

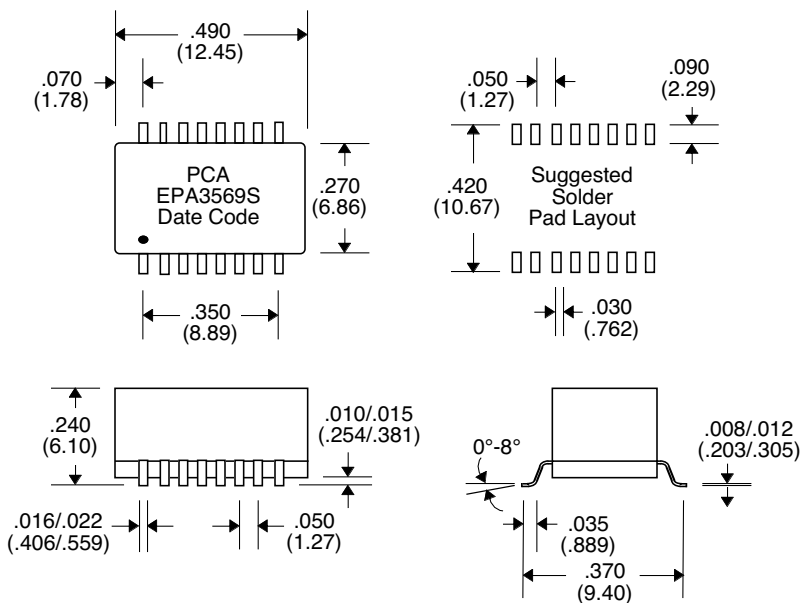
### Schematic



### Impedance Graph (deg $\Omega$ )



### Package



Unless Otherwise Specified Dimensions are in Inches /mm  $\pm$  .010 / .25