



# Common Mode Choke

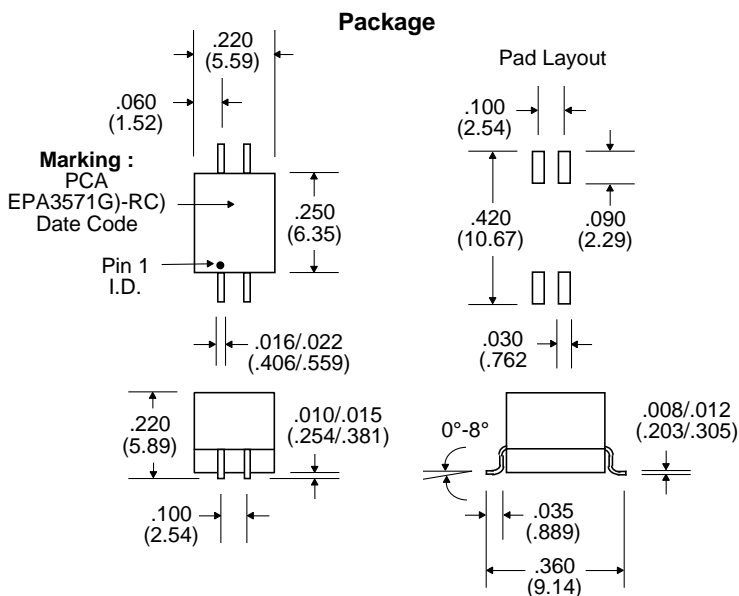
## EPA3571G & EPA3571G-RC



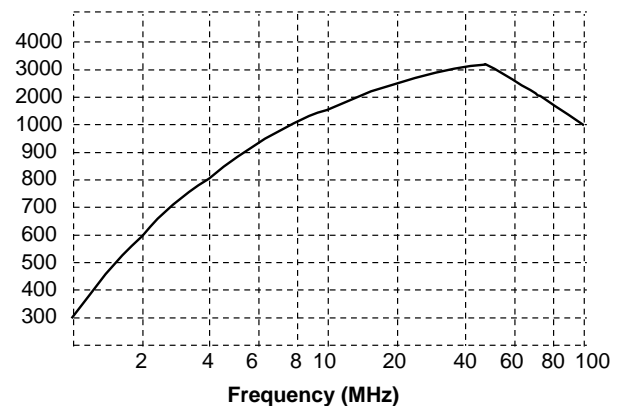
- Common Mode Choke for EMI Reduction
- Add "-RC" after part number for RoHS Compliant

### Electrical Parameters @ 25° C

OCL ( $\mu\text{H}$ Min.)	Interwinding Capacitance (pF Max.)	Leakage Inductance ( $\mu\text{H}$ Max.)	DCR ( Max.)
36	15	0.3	0.4

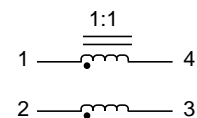


### Typical Common Mode Impedance ( )



Notes :	EPA3571G	EPA3571G-RC
1. Lead Finish	SnPb	Matte Tin
2. Peak Temperature Rating	225°C	260°C
3. Moisture Sensitive Levels	MSL = 3 (168 Hours, 30°C/60%RH)	MSL = 4 (72 Hours, 30°C/60%RH)
4. Weight	TBD grams	TBD grams
5. Packaging Information	(Tube) TBD pieces/tube	TBD pieces/tube
(*Add "TR" to end of part number, but in front of "-RC" when placing order)	(Tape & Reel) TBD pieces/13" reel (*EPA3571GTR)	(Tape & Reel) TBD pieces/13" reel (*EPA3571GTR-RC)

### Schematic



Unless Otherwise Specified Dimensions are in Inches /mm  $\pm .010 / .25$