

Low Pass Filter for Cable Modem Applications

EPB5188

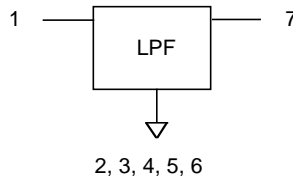
- Integrated LPF designed to work with Broadcom BCM3033, BCM3137 and BCM3210
- Robust construction allows for IR/VP processes

Electrical Parameters @ 25° C

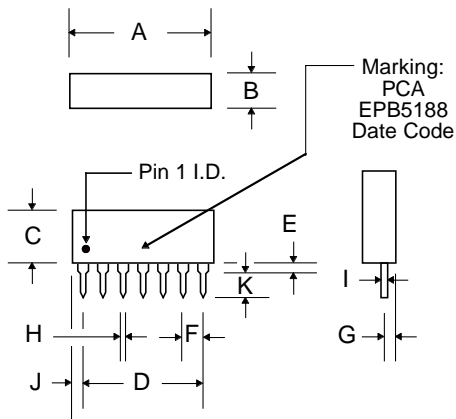
Cut-off Frequency (MHz)	Insertion Loss (dB Max.)	Return Loss (dB Min.)		Attenuation (dB Min.)		Group Delay (nS Max.)
±3.0 MHz	1 MHz-60 MHz	1 MHz-60 MHz	65 MHz	75 MHz	100-500 MHz	1 MHz-60 MHz
68	-1.5	-15	-10	-15	-30	35

- Characteristics Filter Impedance : 75 Ω/75 Ω •

Schematic



Package



Dimensions

Dim.	(Inches)			(Millimeters)		
	Min.	Max.	Nom.	Min.	Max.	Nom.
A	.740	.760	.750	18.79	19.30	19.05
B	.170	.190	.180	4.32	4.83	4.57
C	.260	.280	.270	6.60	7.11	6.86
D	---	---	.600	---	---	15.24
E	.010	.020	.015	.254	.508	.381
F	---	---	.100	---	---	2.54
G	---	---	.050	---	---	1.27
H	.020	.030	.025	.508	.762	.635
I	.008	.012	.010	.203	.305	.254
J	---	---	.075	---	---	1.91
K	.120	.140	.130	3.05	3.56	3.30