

# Ethernet DC/DC Converter EPC1012P & EPC1012H

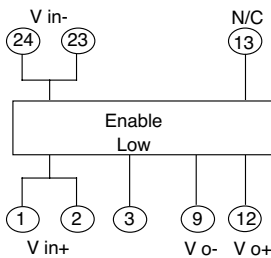
- Features**
- 70 % Typical efficiency at full load†
  - Enable Active : Low
  - Regulated Output
  - Input / Output Isolation
  - Input filter to reduce input ripple current
  - Designed for low common mode noise

## Electrical Specifications

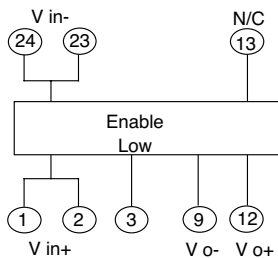
Notes : \*Package with G = Surface Mount Device †@ nominal input voltage

PCA P/N	Standard Package	Optional Packages	Input Voltage V	Output Voltage V	Output Current mA Max.	Output Ripple & Noise @ 20 MHz BW mV p-p	Isolation Vrms
EPC1012P	E6	E6-G*,E7,E8	12 ± 10%	9 ± 5%	200 Max.	100 Max.	500
EPC1012H	E6	E6-G*,E8	12 ± 10%	9 ± 5%	200 Max.	100 Max.	2000

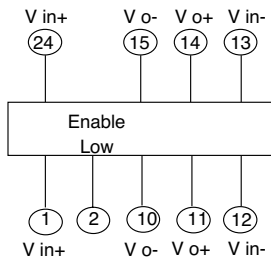
### Pin Connections for E6



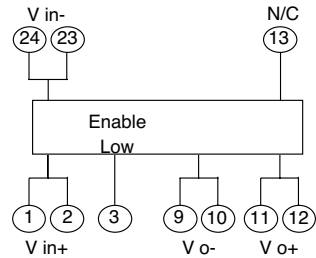
### Pin Connections for E6-G



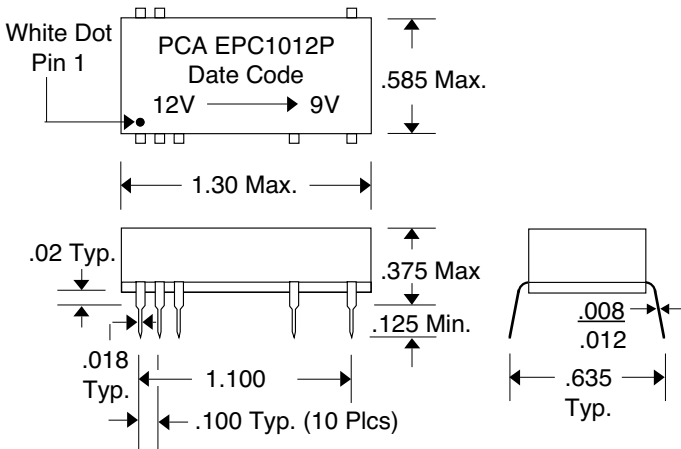
### Pin Connections for E7



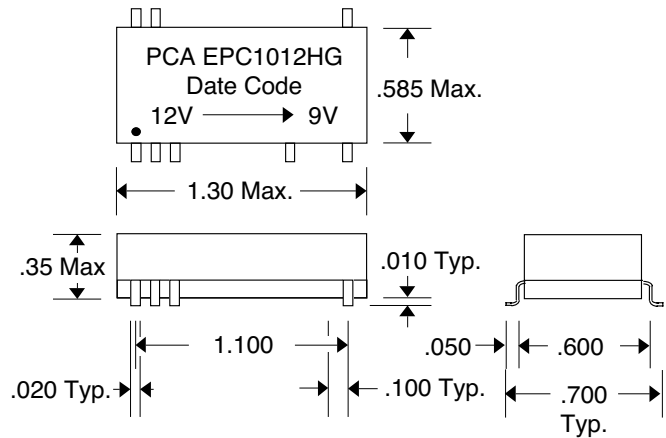
### Pin Connections for E8



### PACKAGE E6

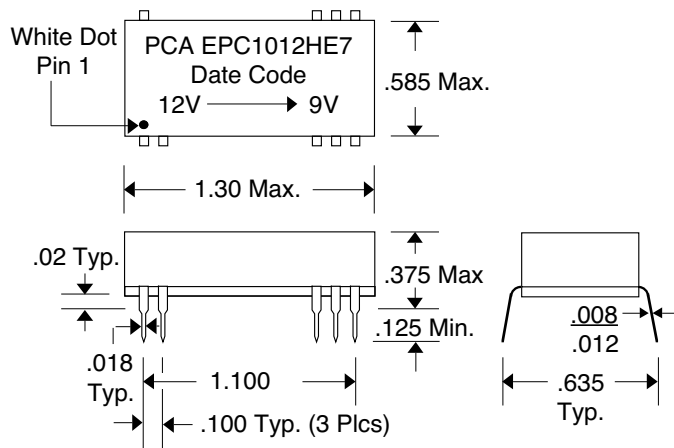


### PACKAGE E6-G

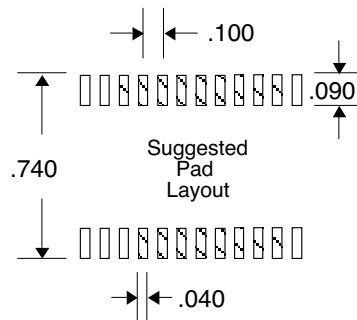


### PACKAGE E7

Optional SMD Package Available



### PAD LAYOUT



www.DataSheet4U.com

DSC1012 Rev 1 4/8/99

Unless Otherwise Noted Dimensions in Inches

Tolerances:

www.DataSheet4U.com 1/32

.XX = ± .030 .XXX = ± .010



16799 SCHOENBORN ST.  
NORTH HILLS, CA 91343  
TEL: (818) 892-0761  
FAX: (818) 894-5791