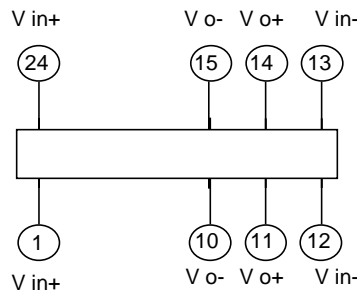


- Designed for Low Common Mode Noise •
- Unregulated Output •
- 75% Efficiency at Full Load @ Nominal Input Voltage •
- Input Filter to Reduce Input Ripple Current •
- Input/Output Isolation : 500 Vrms •

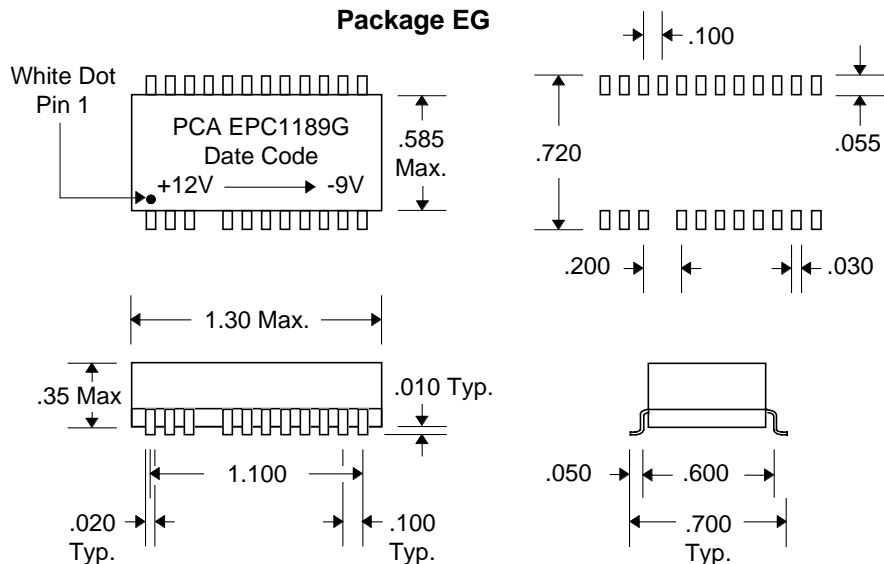
Electrical Specifications

Parameters	Min.	Typ.	Max.	Units
Input Voltage	---	5	---	Volts
Output Voltage	3.16	3.3	3.5	Volts
Output Current	---	---	200	mA
Output Ripple & Noise @ 20 MHz BW	---	---	100	mV p-p

Pin Connections



Package EG



Unless Otherwise Specified Dimensions are in Inches /mm ± .010 / .25