



# Push-Pull Low Power Transformer

## EPC3115S-X & EPC3115S-X-LF

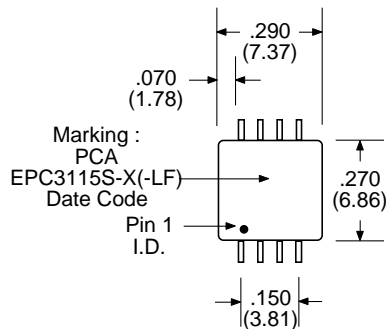
- Designed for use with Maxim Max253/Max3535E
- Add "-LF" after part number for Lead-Free
- Used in SMPS Push-Pull Topology
- UL 94V-0 Recognized Components
- UL 1446 Class B Insulation System
- Switching Frequency : 350 KHz
- 8 Pin SOIC PCMCIA Package
- 700 Vdc Minimum Isolation
- Very Low Core Loss

### Electrical Parameters @ 25° C

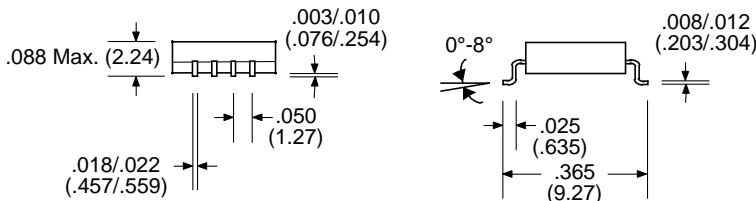
| PCA Part Number | Voltage (V) |       | Primary OCL (μH Typ.) | Turns Ratio (Pri. :Sec.) | ET (V-μSec.) | Duty Cycle (%) | Rectification (Half or Full Wave) |
|-----------------|-------------|-------|-----------------------|--------------------------|--------------|----------------|-----------------------------------|
|                 | V in        | V out |                       |                          |              |                |                                   |
|                 |             |       | @ 100 KHz, 0.1 Vrms   | Pri. :Sec.               | @ 350 KHz    |                | Connections                       |
| EPC3115S-1      | 3.3         | 5     | 394                   | 1:1:2:2                  | 7.1          | 75             | † Output Center Tap               |
| EPC3115S-2      | 5           | 5     | 988                   | 1:1:1.3:1.3              | 11           | 75             | † Output Center Tap               |
|                 | 5           | 10    | 988                   | 1:1:1.3:1.3              | 11           | 75             | Voltage Doubler                   |
| *EPC3115S-3     | 5           | 10    | 988                   | 1:1:2.67:2.67            | 11           | 75             | † Output Center Tap               |
| *EPC3115S-4     | 5           | 12    | 988                   | 1:1:3:3                  | 11           | 80             | † Output Center Tap               |
|                 | 5           | 24    | 988                   | 1:1:3:3                  | 11           | 80             | Voltage Doubler                   |
| EPC3115S-5      | 3.3         | 5     | 394                   | 1:1:1:1                  | 7.1          | 75             | Voltage Doubler                   |
| EPC3115S-6      | 5           | 5     | 988                   | 1:1:.67:.67              | 11           | 75             | Voltage Doubler                   |
| EPC3115S-7      | 5           | 12    | 988                   | 1:1:1.5:1.5              | 11           | 80             | Voltage Doubler                   |
| EPC3115S-8      | 5           | 15    | 988                   | 1:1:2:2                  | 11           | 75             | Voltage Doubler                   |

- † Connections : Output Center Tap as Common/Return
- Operating Temperature : -40°C to +85°C

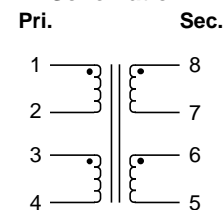
### Package



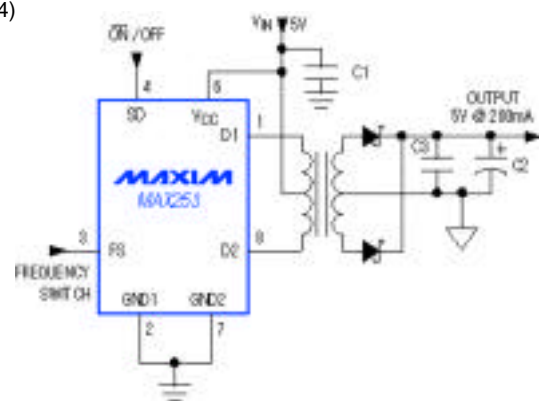
\*.098 Max. (2.49) for EPC3115S-3/-4



### Schematic



### Application



| Notes :   | EPC3115S-X                   | EPC3115S-X-LF                |
|---|------------------------------|------------------------------|
| 1. Assembly Process (Solder Composition)                      | SnPb                         | Pb-Free                      |
| 2. Peak Solder Rating (per IPC/JEDEC-J-STD-020C)              | 225°C                        | 260°C                        |
| 3. Moisture Sensitive Levels (MSL) (per IPC/JEDEC-J-STD-020C) | 1<br>(Unlimited, 30°C/60%RH) | 1<br>(Unlimited, 30°C/60%RH) |
| 4. Weight   | TBD grams                    | TBD grams                    |
| 5. Packaging Information (Tube)                               | TBD pcs / tube               | TBD pcs / tube               |

Unless Otherwise Specified Dimensions are in Inches /mm ± .010 / .25