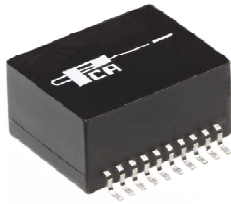




# Miniature 10 Base-T Multiport Module with Enhanced Common Mode Attenuation

## EPE6271S

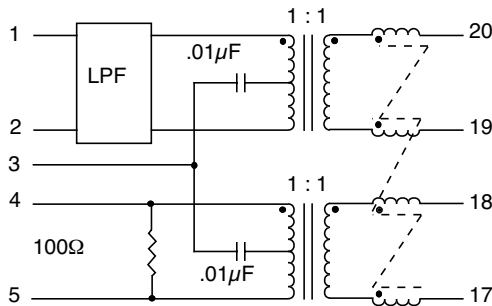


- Optimized for AMD 79C984 Integrated Multiport Repeater
- Robust Construction allows for toughest Reflow Processing
- Complies with or exceeds IEEE 802.3, 10Base-T Standards

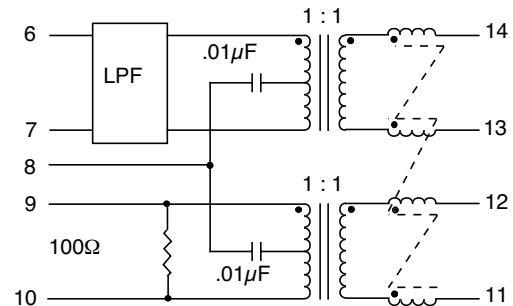
### Electrical Parameters @ 25° C

Cut-Off Frequency (MHz)	Insertion Loss (dB Max.)	Return Loss (dB Min.)	Attenuation (dB Min.)			Common Mode Rejection (dB Min.)			Crosstalk (dB Min.)
			@ 25 MHz	@ 30 MHz	@ 40 MHz	@ 50 MHz	@ 100 MHz	@ 200 MHz	
± 1.0 MHz	1-10 MHz	5-10 MHz	Xmit/Rcv	Xmit/Rcv	Xmit/Rcv	Xmit/Rcv	Xmit/Rcv	Xmit/Rcv	1-10 MHz
Xmit	Xmit/Rcv	Xmit/Rcv	Xmit/Rcv	Xmit/Rcv	Xmit/Rcv	Xmit/Rcv	Xmit/Rcv	Xmit/Rcv	Xmit/Rcv
22.5	-1/-1	-15/-25	-3/-1	-5/-1	-10/-1	-40/-35	-35/-25	-35/-20	-30/-30

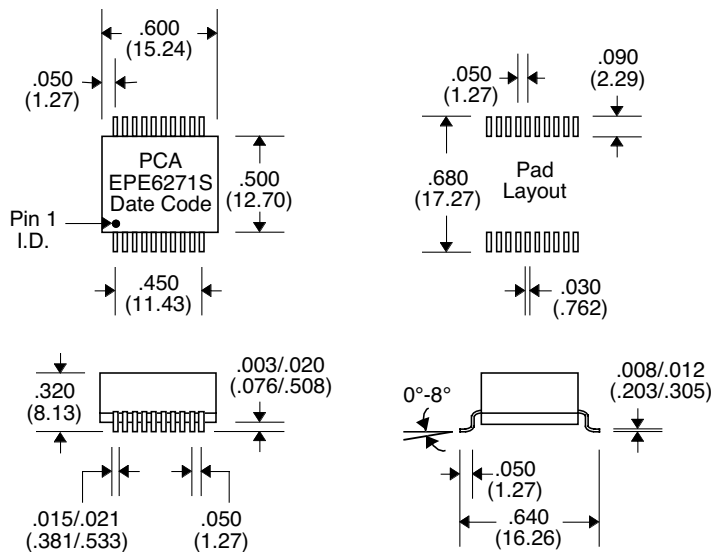
• Isolation : meets or exceeds 802.3 IEEE Requirements • Characteristic Filter Impedance : 100 Ω •



### Schematic



### Package



Unless Otherwise Specified Dimensions are in Inches /mm ± .010 / .25