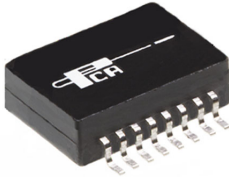


# 10/100Base-TX Interface PCMCIA Module EPF8181AS

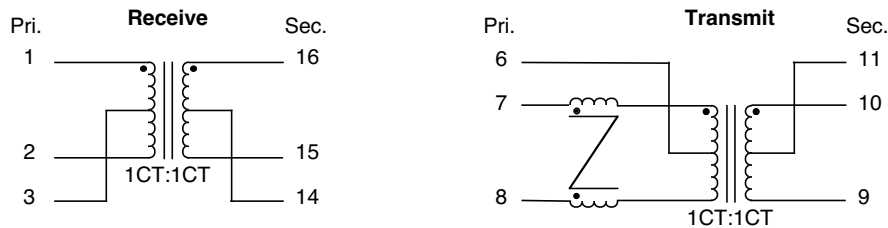


- 1500 Vrms Isolation
- Robust design allows for toughest soldering processes
- Complies with or exceeds IEEE 802.3, 10/100Base-TX Standards

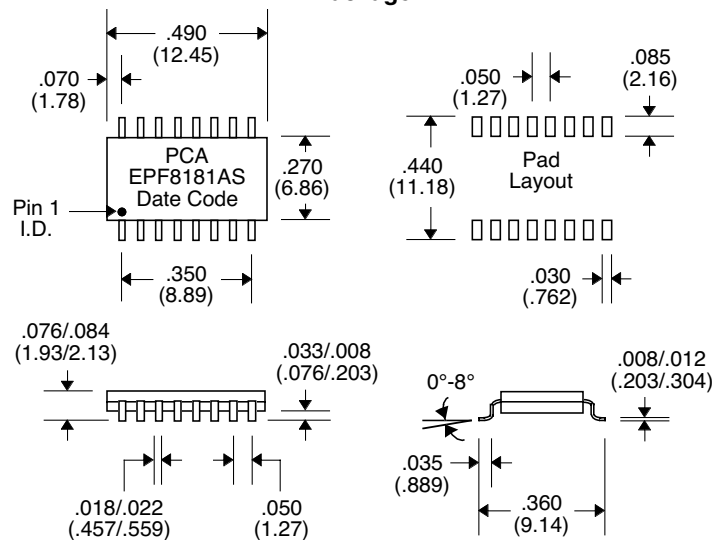
### Electrical Parameters @ 25° C

OCL ( $\mu$ H Min.)	Interwinding Capacitance (pF Max.)	Primary Leakage Inductance ( $\mu$ H Max.)	Return Loss (dB Min.)			Primary DCR ( $\Omega$ Max.)	
			1-30	30-60	60-80	Xmit	Rcv
100 KHz, 0.1 Vrms	@ 100 KHz, 0.1 Vrms	@ 100 KHz, 0.1 Vrms					
<b>Xmit &amp; Rcv</b>		<b>Xmit &amp; Rcv</b>				Xmit	Rcv
350 @ Pins 16-15 & 10-9	25	0.3	-18	-14	-10	1.5	1.0

### Schematic



### Package



Unless Otherwise Specified Dimensions are in Inches /mm  $\pm$ .010 /.25