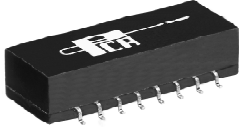


10/100 LAN Interface Module with Enhanced Common Mode

EPF8205G

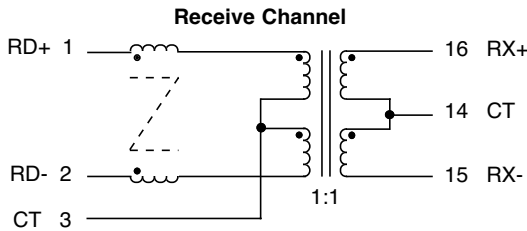


- Optimized for AMD Am79C973 Chip •
- 4000 Vrms Isolation •
- Guaranteed to operate with 8 mA DC bias at 70°C •
- Complies with or exceeds IEEE 802.3, 10/100 Base-T Standards •

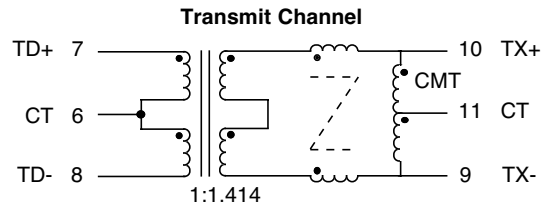
Electrical Parameters @ 25° C

OCL @ 70°C	Insertion Loss (dB Max.)						Return Loss (dB Min.)						Common Mode Rejection (dB Min.)				Crosstalk (dB Min.) [Between Channels]			
	1-80 MHz		@80 MHz		100-150 MHz		1-30 MHz		@60 MHz		@80 MHz		1-30 MHz		100 MHz		200 MHz		5-10 MHz	10-100 MHz
	Xmit	Rcv	Xmit	Rcv	Xmit	Rcv	Xmit	Rcv	Xmit	Rcv	Xmit	Rcv	Xmit	Rcv	Xmit	Rcv	Xmit	Rcv		
100 KHz, 0.1 Vrms 8 mA DC Bias	-1	-1	-2	-2	-3.5	-3	-18	-18	-12	-12	tbd	tbd	-38	-38	-35	-30	tbd	tbd	-35	-35

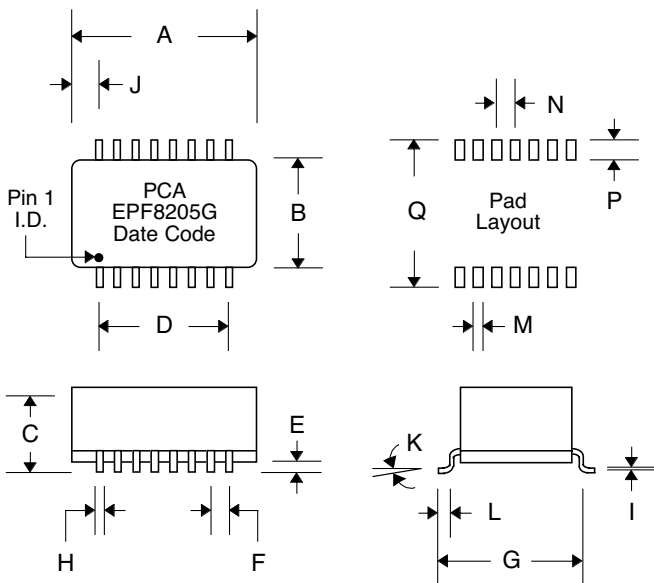
• Cable Side Impedance : 100 Ω • Rise Time : 3.0 nS Max. •



Schematic



Package



Dimensions

Dim.	(Inches)			(Millimeters)		
	Min.	Max.	Nom.	Min.	Max.	Nom.
A	.950	.970	.960	24.13	24.64	24.83
B	.580	.600	.590	14.73	15.24	14.98
C	.390	.410	.400	9.91	10.41	10.16
D	---	---	.700	---	---	17.78
E	.010	.015	.012	.254	.381	.318
F	---	---	.100	---	---	2.54
G	.750	.730	.740	19.05	18.54	18.80
H	.016	.022	.020	.406	.559	.508
I	---	---	.010	---	---	.254
J	---	---	.130	---	---	3.30
K	0°	8°	4°	0°	8°	4°
L	.030	.050	.040	.762	1.27	1.02
M	---	---	.030	---	---	.762
N	---	---	.100	---	---	2.54
P	---	---	.092	---	---	.234
Q	---	---	.800	---	---	20.32