

# 10/100Base-TX Interface PCMCIA Module EPF8209S-RC

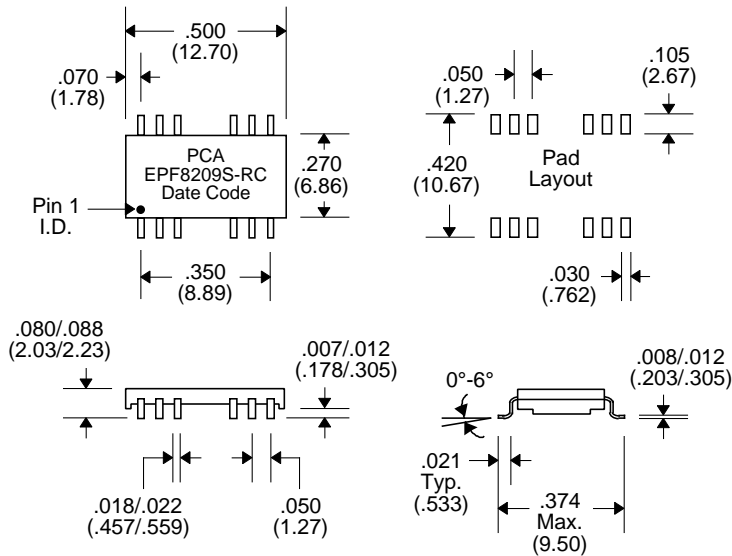
- Designed to work with Broadcom BCM5201, BCM5221 Chipsets
- Complies with or exceeds IEEE 802.3, 10/100Base-TX Standards
- Robust design allows for toughest soldering processes
- Add “-RC” after part number for RoHS Compliant
- 1500 Vrms Isolation
- Lead-Free

### Electrical Parameters @ 25° C

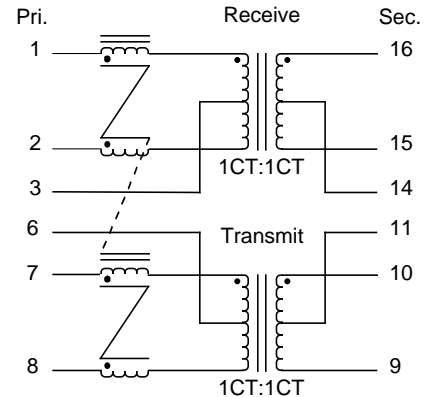
OCL ( $\mu$ H Min.) @ 8 mA DC Bias	Interwinding Capacitance (pF Max.)	Leakage Inductance ( $\mu$ H Max.)	CMRR (dB Min.)					Return Loss (dB Min.)			Primary DCR ( Max.)	
			1 MHz	30 MHz	60 MHz	80 MHz	100 MHz	1-30 MHz	30-60 MHz	60-80 MHz	Xmit	Rcv
100 KHz, 0.1 Vrms	@ 100 KHz, 0.1 Vrms	@ 100 KHz, 0.1 Vrms	Xmit/Rcv	Xmit/Rcv	Xmit/Rcv	Xmit/Rcv	Xmit/Rcv	Xmit & Rcv			Xmit	Rcv
350 @ Pins 16-15 & 10-9	25	0.3	-27/-27	-17/-9	-16/-4	-14/-2	-12/-1	-10	-14	-10	1.5	1.0

• Insertion Loss : -1 dB Max., 1 MHz to 100 MHz •

### Package



### Schematic



Notes :	EPF8209S-RC
1. Lead Finish	Hot Tin Dip (Sn) †
2. Peak Temperature Rating	245°C
3. Moisture Sensitive Levels	MSL = 1 (Unlimited, 30°C/85%RH)
4. Weight	TBD gram
5. Packaging Information	(Tube) TBD pieces/tube (Tape & Reel) 1500 pieces/13" reel

† Lead Material : Ni Barrier over Cu

Unless Otherwise Specified Dimensions are in Inches /mm ± .010 /.25