

EPI G3229 Series

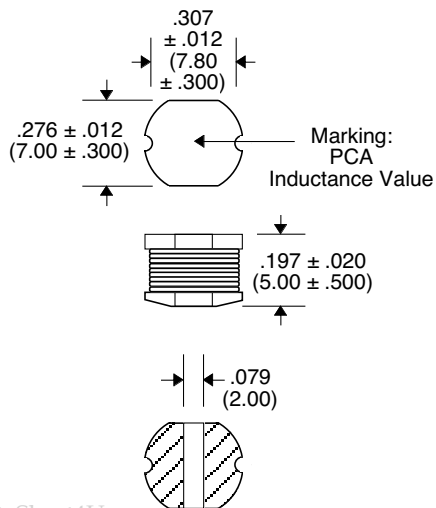


- Used in TFT-LCD Bias Supply, Digital Cameras, Cordless Phones, Medical Diagnostic Equipment, Handheld Devices, MP3 Players and Other Portable Devices
- Used as Inductors in Linear Technology LT1507, LT1771 & LTC1174
- Low loss material ensures operation in high frequency switching converters, such as Buck, Boost or as output averaging filter inductor

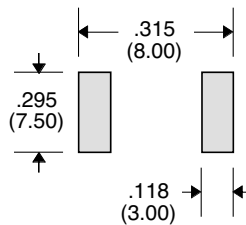
Primary Specification

Part Number	Induct. ($\mu\text{H} \pm 10\%$) @ 0 Adc	DCR (Ω Max.)	Idc (Amps Max.)
EPI100232G3229	10	.070	2.30
EPI120202G3229	12	.080	2.00
EPI150182G3229	15	.090	1.80
EPI180162G3229	18	.100	1.60
EPI220152G3229	22	.110	1.50
EPI270132G3229	27	.120	1.30
EPI330122G3229	33	.130	1.20
EPI390112G3229	39	.160	1.10
EPI470112G3229	47	.180	1.10
EPI560941G3229	56	.240	0.94
EPI680851G3229	68	.280	0.85
EPI820781G3229	82	.370	0.78
EPI101721G3229	100	.430	0.72
EPI1151581G3229	150	.640	0.58
EPI221491G3229	220	.960	0.49
EPI271421G3229	270	1.11	0.42
EPI331401G3229	330	1.26	0.40
EPI391361G3229	390	1.77	0.36
EPI471341G3229	470	1.96	0.34

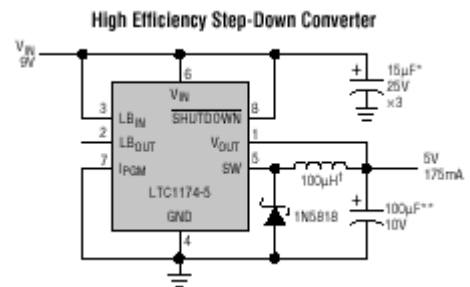
Package G3229



Recommended Pad Layout



Application



www.DataSheet4U.com

Note :

1. Temperature Rise : 40°C Typ. @ Idc
2. Inductance Change at I Saturation : 10% TYP.

Unless Otherwise Specified Dimensions are in Inches /mm $\pm .010 / .25$