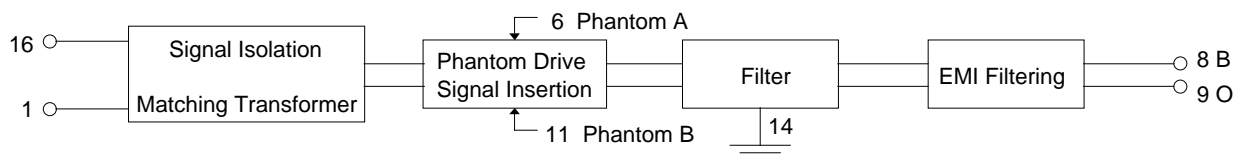


## 4/16 Mbps Token Ring 16 Pin Modules for Transmit and Receive

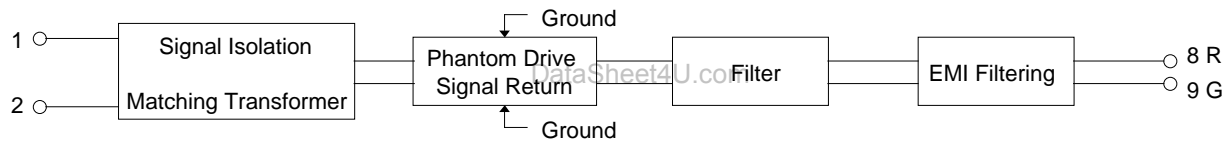
### Electrical Specifications @ 25°C

PCA Part Number		EPT7001 & EPT7001G						
Characteristic Impedance	150							
Insertion Loss	12 KHz	16 MHz	24 MHz	32 MHz	Return Loss	1-5 MHz	10-16 MHz	24 MHz
	-3.0 Max.	-0.8 Max.	-1.7 Max.	-7.0 Min.		-20 dB Min.	-15 dB Min.	-5 dB Min.
Common to Common Mode Rejection	100 KHz	20 MHz	200 MHz	Common to Differential Rejection	100 KHz	10 MHz	100 MHz	
	-65 dB Min.	-30 dB Min.	-20 dB Min.		-70 dB Min.	-55 dB Min.	-25 dB Min.	

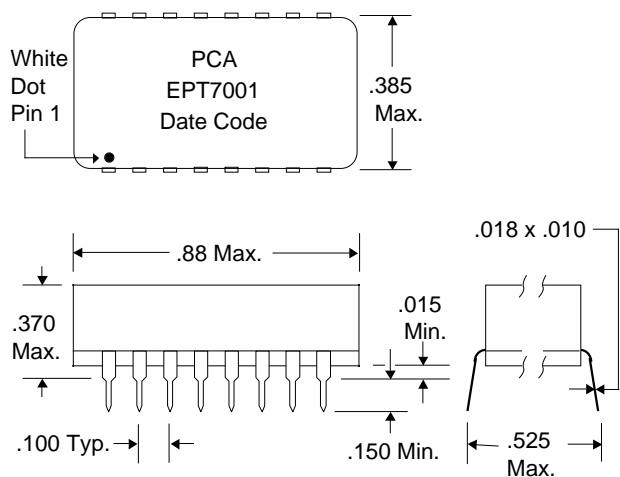
### Block Diagram for Transmit Interface Unit



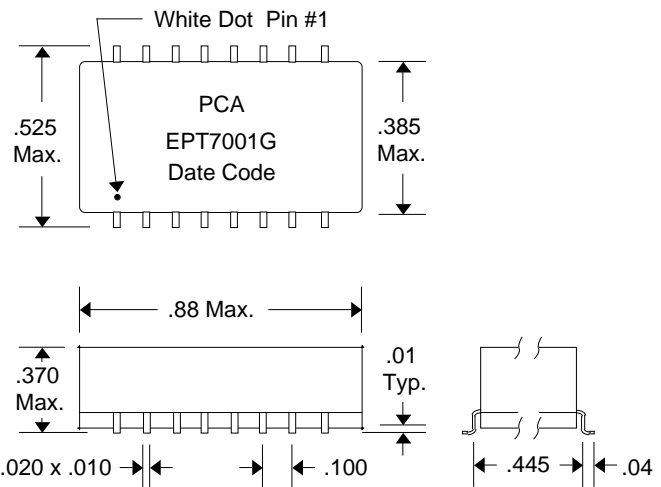
### Block Diagram for Receiver Interface Unit



### DIP Package



### SMD Package



DST7001 12/6/94

QAF-CS07 8/10/94

Unless Otherwise Noted  
Dimensions in Inches  
Tolerances: Fractional =  $\pm 1/32$   
.XX =  $\pm .030$  .XXX =  $\pm .010$



16799 SCHOENBORN ST.  
NORTH HILLS, CA 91343

TEL: (818) 892-0761  
FAX: (818) 894-5791  
WEB: <http://www.pcainc.com>

www.DataSheet4U.com