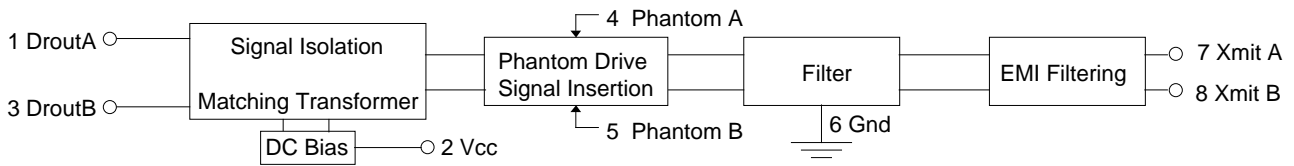


# Euro-Optimized Token Ring 16 Pin SMD Line Transceiver Module

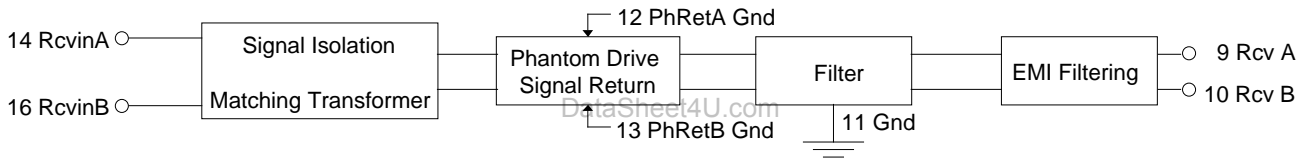
## Electrical Specifications @ 25°C

<b>PCA Part Number</b>				<b>EPT7020</b>				
<b>Characteristic Impedance</b>		Supports both STP and UTP Transmission						
<b>Insertion Loss</b>	<b>12 KHz</b>	<b>16 MHz</b>	<b>24 MHz</b>	<b>32 MHz</b>	<b>Return Loss</b>	<b>1-5 MHz</b>	<b>10-16 MHz</b>	<b>24 MHz</b>
	-3.0 dB Max.	-0.8 dB Max.	-1.7 dB Max.	-7.0 dB Min.		-20 dB Min.	-15 dB Min.	-8 dB Min.
<b>Common to Common Mode Rejection</b>	<b>100 KHz</b>	<b>20 MHz</b>	<b>200 MHz</b>		<b>Common to Differential Rejection</b>	<b>100 KHz</b>	<b>10 MHz</b>	<b>100 MHz</b>
	-65 dB Min.	-30 dB Min.	-20 dB Min.			-70 dB Min.	-55 dB Min.	-25 dB Min.

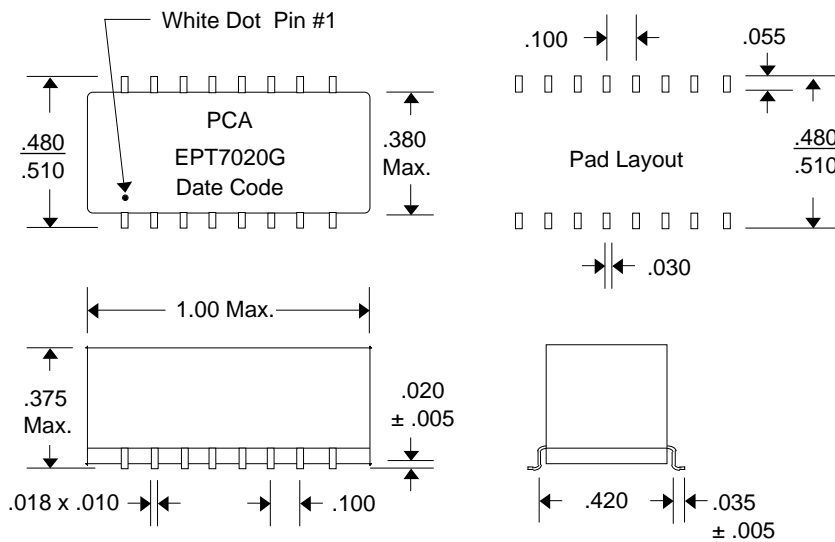
### Block Diagram for Transmit Interface Unit



### Block Diagram for Receiver Interface Unit



### SMD Package



DST7020 12/6/94

QAF-CS07 8/10/94

Unless Otherwise Noted Dimensions in Inches  
 Tolerances:  
 Fractional = ± 1/32  
 .XX = ± .030 .XXX = ± .010



16799 SCHOLNBORN ST  
 NORTH HILLS, CA 91343  
 TEL: (818) 892-0761  
 FAX: (818) 894-5791