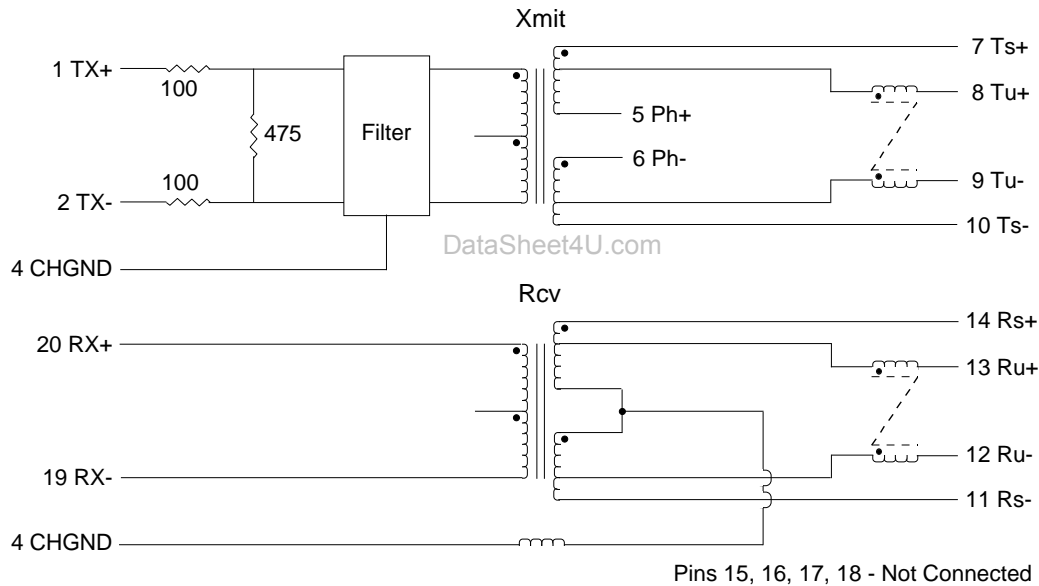


# Token Ring Transceiver

| PCA Part Number(s)  |           | EPT7063G               |      |      |         |
|---|-----------|------------------------|------|------|---------|
| Electrical Specifications @ 25°C  |           |                        |      |      |         |
| Parameter   | Frequency | Specification          | XMIT | RCV  | Unit    |
| Insertion Loss  | 8 MHz     |                        | -0.5 | -0.5 | dB Max. |
| Attenuation   | 10 MHz    |                        | -1.1 | -0.7 | dB Min. |
|   | 24 MHz    |                        | -1.9 | -1.3 | dB Min. |
| Return Loss   | 1-17 MHz  |                        | -14  | -20  | dB Min. |
|   | 17-25 MHz |                        | -8   | -10  | dB Min. |
| Common Mode Rejection   | 5 MHz     |                        | -40  | -40  | dB Min. |
|   | 20 MHz    |                        | -40  | -40  | dB Min. |
|   | 70 MHz    |                        | -30  | -30  | dB Min. |
| Crosstalk   | 1-32 MHz  | -50 (Between Channels) |      |      | dB Min. |
| Impedance   |           |                        |      |      |         |
| <b>Notes :</b> 1. Optimized for T1380C60 & T1380C30.<br>2. Supports UTP & STP Transmission cables.<br>3. IEEE 802.5 compatible. |           |                        |      |      |         |

## Schematic



## Package

